

SERIES 804 QDC PUSH-PULL

Mighty Mouse Connectors and Cables



PC Tail or Solder Cup Panel Mount Plugs



**Environmental, PCB Plug**

804-009 connectors feature low-profile shells for minimum protrusion inside enclosures and integral board standoffs. Contacts are non-removable. Specify 804-009 connectors for applications where open face water immersion is not a requirement. IP67 in the mated condition.

**Water Tight PCB Plug**

804-021 connectors are identical to 800-012, but are specially sealed ("MOD-518") and 100% tested to maintain a helium leak rate of less than  $1 \times 10^{-4}$  cc/second at one atmosphere pressure differential. Connectors meet MIL-STD-810 Method 512G immersion requirements in unmated/open face condition.

How To Order	
<b>Sample Part Number</b>	<b>804-009</b> <b>-07</b> <b>NF</b> <b>10-26</b> <b>E</b> <b>A</b>
<b>Series</b>	<b>804-009</b> = Panel Mount Plug, Standard Potting <b>804-021</b> = Panel Mount Plug, Resilient Silicone Potting for Watertight Seal from -40° to +70°C (1 ATM Pressure Differential)
<b>Shell Style (See Table I)</b>	<b>-00</b> = Jam-Nut, Front Panel Mount <b>-02</b> = Flange Mount <b>-07</b> = Jam-Nut, Rear Panel Mount
<b>Shell Material and Finish</b>	<b>C</b> = Aluminum / Black Anodize (Non-Conductive) <b>M</b> = Aluminum / Electroless Nickel <b>MT</b> = Aluminum / Nickel-PTFE <b>NF</b> = Aluminum / Cadmium with Olive Drab Chromate <b>ZNU</b> = Aluminum / Zinc-Nickel with Black Chromate <b>Z1</b> = Stainless Steel / Passivated
<b>Shell Size - Insert Arrangement</b>	See Contact Arrangements Page H-6
<b>Contact Type</b>	<b>P</b> = Pin, PC Tail <b>E</b> = Pin, Solder Cup <b>S</b> = Socket, PC Tail <b>F</b> = Socket, Solder Cup Contacts are pre-installed and non-removable.
<b>Polarization (See Table II)</b>	<b>Omit</b> = Single Master Key <b>A</b> = Normal <b>B</b> = Pos. B <b>C</b> = Pos. C <b>D</b> = Pos. D <b>E</b> = Pos. E <b>F</b> = Pos. F

Table I: Shell Style

<b>-00</b> Jam-Nut, Front Panel Mount	<b>-07</b> Jam-Nut, Rear Panel Mount	<b>-02</b> Flange Mount

Table II: Key Positions

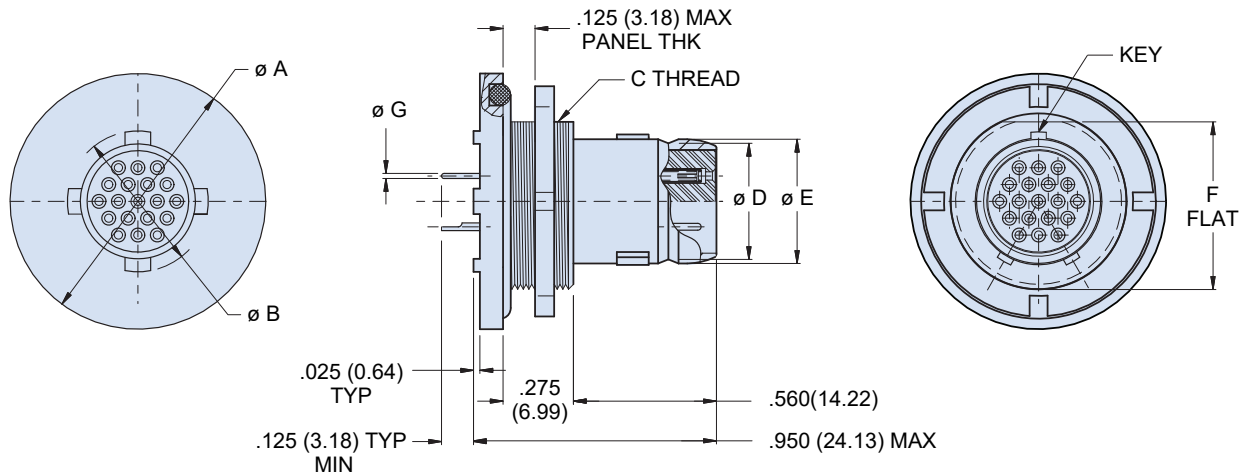
	Pos.	A°	B°
	A	150°	210°
	B	75°	210°
	C	95°	230°
	D	140°	275°
	E	75°	275°
F	95°	210°	

**NOTES**

1. Contacts are nonremovable and connector is back potted
2. Connector, plug mates with all push/pull high density receptacle connectors with same polarization and opposite contact gender
3. See page H-9 for recommended panel cut-outs
4. Ø.126/.130 thru-holes replace locknuts for SST shells

SERIES 804 QDC PUSH-PULL

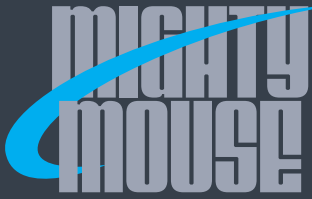
**JAM-NUT, REAR PANEL MOUNT PLUG - SHELL STYLE 07**



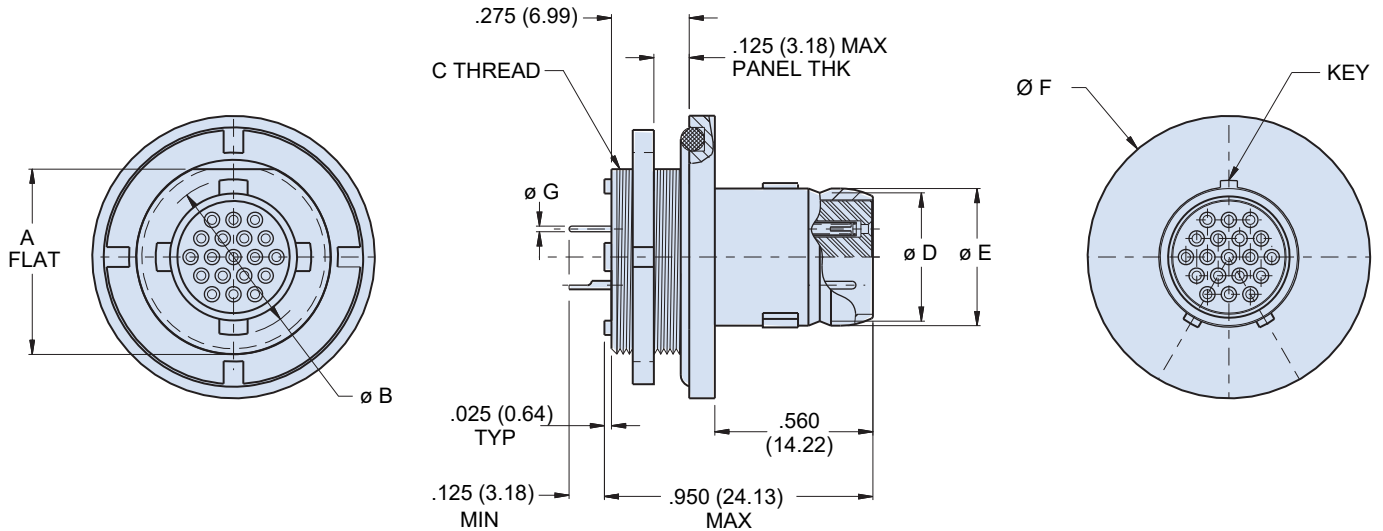
Dimensions							
Shell Size	Ø A	Ø B	C Threads	Ø D	Ø E	F Flat	Ø G Tail Dia.
5	.790 (20.07)	.244 (6.20)	.4375-32 UN-2A	.219 (5.56)	.250 (6.35)	.415 (10.54)	#23 .018/.022 (0.46/0.56)
6	.830 (21.08)	.330 (8.38)	.5000-32 UN-2A	.282 (7.16)	.313 (7.95)	.467 (11.86)	
7	.910 (23.11)	.432 (10.97)	.6250-28 UN-2A	.351 (8.92)	.383 (9.73)	.594 (15.09)	
8	.955 (24.26)	.493 (12.52)	.6250-28 UN-2A	.398 (10.11)	.429 (10.90)	.594 (15.09)	#20 .024/.028 (0.61/0.71)
9	1.000 (25.40)	.551 (14.00)	.6875-28 UN-2A	.454 (11.53)	.486 (12.34)	.655 (16.64)	#16 .060/.064 (1.52/1.63)
10	1.085 (27.56)	.620 (15.75)	.7500-28 UN-2A	.529 (13.44)	.563 (14.30)	.721 (18.31)	
11	1.135 (28.83)	.662 (16.81)	.8125-28 UN-2A	.587 (14.91)	.618 (15.70)	.790 (20.07)	
12	1.180 (29.97)	.703 (17.86)	.8750-28 UN-2A	.646 (16.41)	.676 (17.17)	.843 (21.41)	#12 .092/.096 (2.34/2.44)
14	1.325 (33.65)	.863 (21.92)	1.0000-28 UN-2A	.768 (19.51)	.800 (20.32)	.968 (24.59)	

**Material and Finish**

- Shell, jam-nut: aluminum alloy or CRES / see how to order table
- Insulator: high grade rigid dielectric / N.A.
- Interfacial seal, O-ring: fluorosilicone / N.A.
- Contact: copper alloy / gold plate per ASTM B 488, Type II, Code C, Class 1.25, over suitable underplate
- Potting compound: epoxy / N.A.



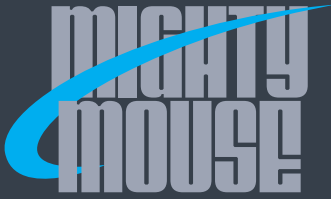
**JAM-NUT, FRONT PANEL MOUNT PLUG - STYLE 00**



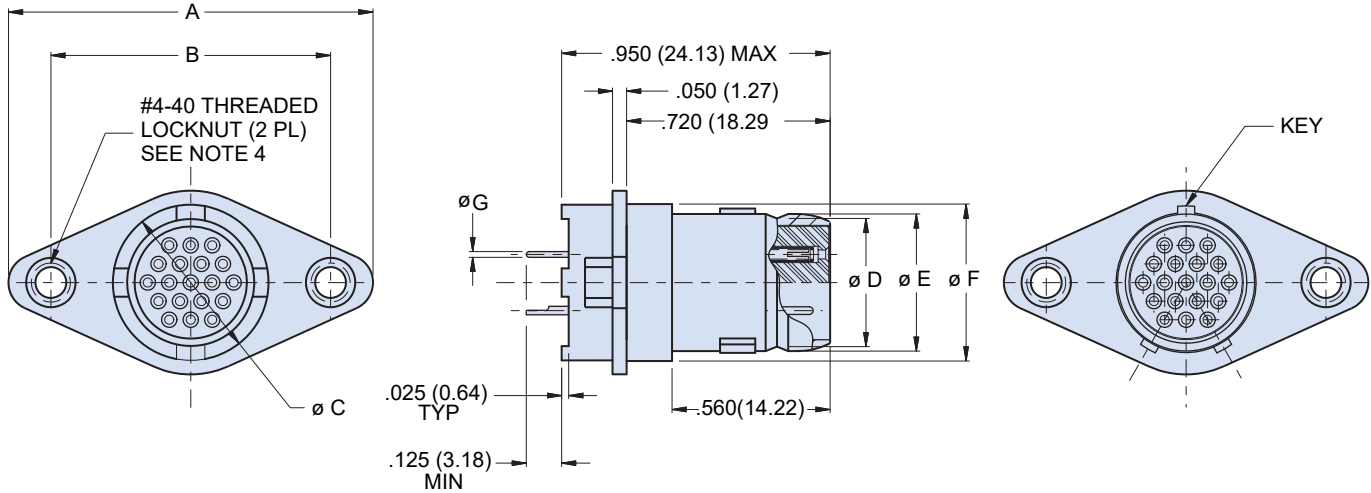
Dimensions							
Shell Size	A Flat	Ø B	C Threads	Ø D	Ø E	Ø F	Ø G Tail Dia.
5	.415 (10.54)	.244 (6.20)	.4375-32 UN-2A	.219 (5.56)	.250 (6.35)	.790 (20.07)	#23 .018/.022 (0.46/0.56)
6	.467 (11.86)	.330 (8.38)	.5000-32 UN-2A	.282 (7.16)	.313 (7.95)	.830 (21.08)	
7	.594 (15.09)	.432 (10.97)	.6250-28 UN-2A	.351 (8.92)	.383 (9.73)	.910 (23.11)	#20 .024/.028 (0.61/0.71)
8	.594 (15.09)	.493 (12.52)	.6250-28 UN-2A	.398 (10.11)	.429 (10.90)	.955 (24.26)	
9	.655 (16.64)	.551 (14.00)	.6875-28 UN-2A	.454 (11.53)	.486 (12.34)	1.000 (25.40)	#16 .060/.064 (1.52/1.63)
10	.721 (18.31)	.620 (15.75)	.7500-28 UN-2A	.529 (13.44)	.563 (14.30)	1.085 (27.56)	
11	.790 (20.07)	.662 (16.81)	.8125-28 UN-2A	.587 (14.91)	.618 (15.70)	1.135 (28.83)	#12 .092/.096 (2.34/2.44)
12	.843 (21.41)	.703 (17.86)	.8750-28 UN-2A	.646 (16.41)	.676 (17.17)	1.180 (29.97)	
14	.968 (24.59)	.863 (21.92)	1.0000-28 UN-2A	.768 (19.51)	.800 (20.32)	1.325 (33.65)	

**Material and Finish**

- Shell: aluminum alloy or CRES/ see how to order table
- Insulator: high grade rigid dielectric /N.A.
- Interfacial seal, O-ring: fluorosilicone /N.A.
- Contact: copper alloy / gold plate per ASTM B 488, Type II, Code C, Class 1.25, over suitable underplate
- Potting compound: epoxy /N.A.



**FLANGE MOUNT PLUG - STYLE 02**



Dimensions							
Shell Size	A	B ±.005 (.02)	Ø C	Ø D	Ø E	Ø F	Ø G Tail Dia.
5	1.055 (26.80)	.755 (19.18)	.244 (6.20)	.219 (5.56)	.250 (6.35)	.320 (8.13)	#23 .018/.022 (0.46/0.56)
6	1.120 (28.45)	.820 (20.83)	.330 (8.38)	.282 (7.16)	.313 (7.95)	.385 (9.78)	
7	1.185 (30.10)	.885 (22.48)	.432 (10.97)	.351 (8.92)	.383 (9.73)	.450 (11.43)	
8	1.230 (31.24)	.930 (23.62)	.493 (12.52)	.398 (10.11)	.429 (10.90)	.495 (12.57)	#20 .024/.028 (0.61/0.71)
9	1.290 (32.77)	.990 (25.15)	.551 (14.00)	.454 (11.53)	.486 (12.34)	.555 (14.10)	
10	1.360 (34.54)	1.060 (26.92)	.620 (15.75)	.529 (13.44)	.563 (14.30)	.625 (15.88)	#16 .060/.064 (1.52/1.63)
11	1.420 (36.07)	1.120 (28.45)	.662 (16.81)	.587 (14.91)	.618 (15.70)	.690 (17.53)	
12	1.485 (37.72)	1.185 (30.10)	.703 (17.86)	.646 (16.41)	.676 (17.17)	.750 (19.05)	#12 .092/.096 (2.34/2.44)
14	1.600 (40.64)	1.300 (33.02)	.863 (21.92)	.768 (19.51)	.800 (20.32)	.865 (21.97)	

**Material and Finish**

- Shell: aluminum alloy or CRES / see how to order table
- Insulator: high grade rigid dielectric / N.A.
- Interfacial seal, O-ring: fluorosilicone / N.A.
- Contact: copper alloy / gold plate per ASTM B 488, Type II, Code C, Class 1.25, over suitable underplate
- Potting compound: epoxy / N.A.

SERIES 804 QDC PUSH-PULL