



SERIES 804 QDC PUSH-PULL Mighty Mouse Connectors and Cables



Panel Mount Plugs with Crimp Contacts and Integral Shield Termination Platform



Panel Mount Plugs

Feature push/pull action for quick mating and demating of connectors. These small form factor connectors save panel space and come with removable, rear release crimp contacts. Integral band platform allows for termination of cable shield braid using Band-Master ATS® band. Mates with all push/pull high density receptacle connectors with same polarization and opposite contact gender. Fluorosilicone interfacial seal, O-ring and grommet seals provide IP67 sealing in the mated condition. Red stripe indicator aides in alignment during mating.

How To Order						
Sample Part Number	804-116	-07	NF	10-26	E	A
Series	804-116 = Panel Mount Plug, Crimp Contacts and Banding Porch					
Shell Style (See Table I)	00 = Jam-Nut, Front Panel Mount 02 = Flange Mount 07 = Jam-Nut, Rear Panel Mount					
Shell Material and Finish	C = Aluminum / Black Anodize (Non-Conductive) M = Aluminum / Electroless Nickel MT = Aluminum / Nickel-PTFE NF = Aluminum / Cadmium with Olive Drab Chromate ZNU = Aluminum / Zinc-Nickel with Black Chromate Z1 = Stainless Steel / Passivated					
Shell Size - Insert Arrangement	See Contact Arrangements Page H-6					
Contact Type	Connector supplied without Crimp contacts A = Pin Connector B = Socket Connector	Connector supplied with contacts P = Pin S = Socket	Connector Supplied with 30 AWG Crimp Barrel G = Pin H = Socket			
Polarization (See Table II)	Omit = Single Key (non polarized) A = Normal B = Pos. B C = Pos. C D = Pos. D E = Pos. E F = Pos. F					

Table I: Shell Style		
-07 Jam-Nut, Rear Panel Mount	-02 Flange Mount	-00 Jam-Nut, Front Panel Mount

Table II: Key Positions			
	Pos.	A°	B°
	A	150°	210°
	B	75°	210°
	C	95°	230°
	D	140°	275°
	E	75°	275°
	F	95°	210°

NOTES

1. Contacts are crimp type, and used in a rear release retention system
2. Plug mates with all push/pull high density receptacle connectors with same polarization and opposite contact gender
3. See page H-9 for recommended panel cut-outs

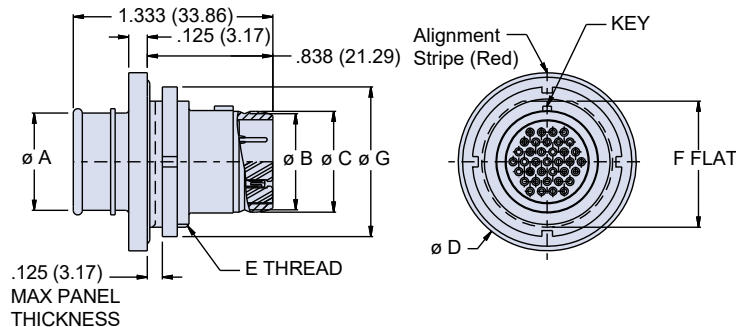


SERIES 804 QDC PUSH-PULL
Mighty Mouse Connectors and Cables



Panel Mount Plugs with Crimp Contacts and
Cable Shield Termination Platform

JAM-NUT, REAR PANEL MOUNT PLUG - STYLE 07

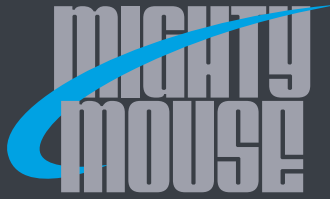


Dimensions							
Shell Size	Ø A	Ø B	Ø C	Ø D	E Thread	F Flat	Ø G
5	0.245 (6.22)	0.219 (5.56)	0.250 (6.35)	0.730 (18.54)	.4375-32 UN-2A	0.415 [0.02]	0.562 [0.02]
6	0.290 (7.37)	0.282 (7.16)	0.313 (7.95)	0.730 (18.54)	.5000-32 UN-2A	0.467 [0.02]	0.625 [0.02]
7	0.390 (9.91)	0.351 (8.92)	0.382 (9.70)	0.910 (23.11)	.6250-28 UN-2A	0.594 [0.02]	0.750 [0.03]
8	0.445 (11.30)	0.398 (10.11)	0.429 (10.90)	0.955 (24.26)	.6250-28 UN-2A	0.594 [0.02]	0.750 [0.03]
9	0.500 (12.70)	0.454 (11.53)	0.486 (12.34)	1.000 (25.40)	.6875-28 UN-2A	0.655 [0.03]	0.812 [0.03]
10	0.560 (14.22)	0.529 (13.44)	0.562 (14.27)	1.085 [0.04]	.7500-28 UN-2A	0.721 [0.03]	0.875 [0.03]
12	0.650 (16.51)	0.646 (16.41)	0.677 (17.20)	1.180 [0.05]	.8750-28 UN-2A	0.843 [0.03]	1.000 [0.04]
14	0.805 (20.45)	0.768 (19.51)	0.800 (20.32)	1.325 [0.05]	1.0000-28 UN-2A	0.968 [0.04]	1.125 [0.04]

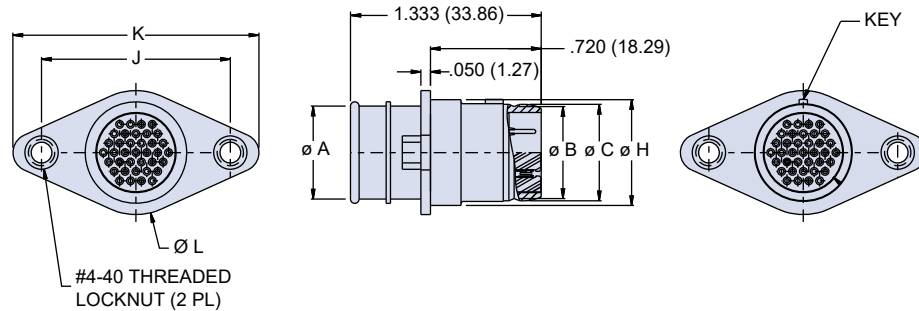
Material and Finish

- Shell, jam-nut: aluminum alloy or CRES/ see how to order table
- Insulator: high grade rigid dielectric /N.A.
- Interfacial seal, O-ring, grommet: fluorosilicone /N.A.
- Contact: copper alloy / gold plate per ASTM B 488, Type II, Code C, Class 1.25, over suitable underplate
- Potting compound: epoxy /N.A.

SERIES 804 QDC PUSH-PULL



FLANGE MOUNT PLUG - STYLE 02



Dimensions							
Shell Size	Ø A	Ø B	Ø C	H	J	K	Ø L
5	0.245 (6.22)	0.219 (5.56)	0.250 (6.35)	0.320 (0.01)	0.755 (0.03)	1.055 (0.04)	0.420 (0.02)
6	0.290 (7.37)	0.282 (7.16)	0.313 (7.95)	0.385 (0.02)	0.820 (0.03)	1.120 (0.04)	0.445 (0.02)
7	0.390 (9.91)	0.351 (8.92)	0.382 (9.70)	0.450 (0.02)	0.885 (0.03)	1.185 (0.05)	0.550 (0.02)
8	0.445 (11.30)	0.398 (10.11)	0.429 (10.90)	0.495 (0.02)	0.930 (0.04)	1.230 (0.05)	0.593 (0.02)
9	0.500 (12.70)	0.454 (11.53)	0.486 (12.34)	0.555 (0.02)	0.990 (0.04)	1.290 (0.05)	0.651 (0.03)
10	0.560 (14.22)	0.529 (13.44)	0.562 (14.27)	0.625 (0.02)	1.060 (0.04)	1.360 (0.05)	0.741 (0.03)
12	0.650 (16.51)	0.646 (16.41)	0.677 (17.20)	0.750 (0.03)	1.185 (0.05)	1.485 (0.06)	0.850 (0.03)
14	0.805 (20.45)	0.768 (19.51)	0.800 (20.32)	0.865 (0.03)	1.300 (0.05)	1.600 (0.06)	0.975 (0.04)

Material and Finish

- Shell: aluminum alloy or CRES/ see how to order table
- Insulator: high grade rigid dielectric /N.A.
- Interfacial seal, O-ring, grommet: fluorosilicone /N.A.
- Contact: copper alloy /gold plate per ASTM B 488, Type II, Code C, Class 1.25, over suitable underplate
- Potting compound: epoxy /N.A.

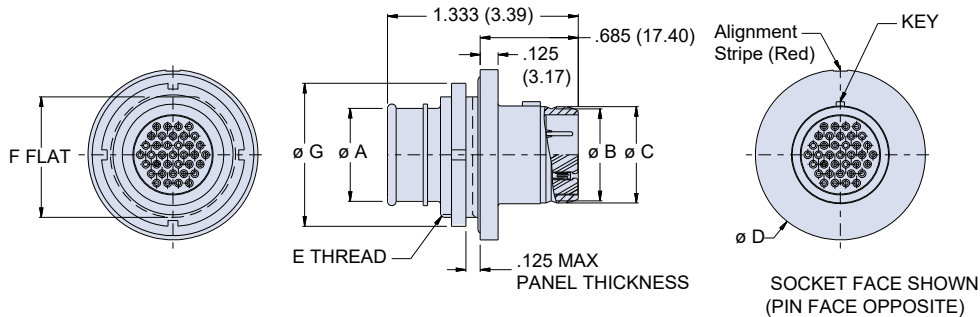


SERIES 804 QDC PUSH-PULL Mighty Mouse Connectors and Cables



Panel Mount Plugs with Crimp Contacts and Cable Shield Termination Platform

JAM-NUT, FRONT PANEL MOUNT, PLUG - STYLE 00



Dimensions								
Shell Size	Ø A	Ø B	Ø C	Ø D	E Thread	F Flat	Ø G	H
5	0.245 (6.22)	0.219 (5.56)	0.250 (6.35)	0.730 (18.54)	.4375-32 UN-2A	0.415 (0.02)	0.562 (0.02)	0.320 (0.01)
6	0.290 (7.37)	0.282 (7.16)	0.313 (7.95)	0.730 (18.54)	.5000-32 UN-2A	0.467 (0.02)	0.625 (0.02)	0.385 (0.02)
7	0.390 (9.91)	0.351 (8.92)	0.382 (9.70)	0.910 (23.11)	.6250-28 UN-2A	0.594 (0.02)	0.750 (0.03)	0.450 (0.02)
8	0.445 (11.30)	0.398 (10.11)	0.429 (10.90)	0.955 (24.26)	.6250-28 UN-2A	0.594 (0.02)	0.750 (0.03)	0.495 (0.02)
9	0.500 (12.70)	0.454 (11.53)	0.486 (12.34)	1.000 (25.40)	.6875-28 UN-2A	0.655 (0.03)	0.812 (0.03)	0.555 (0.02)
10	0.560 (14.22)	0.529 (13.44)	0.562 (14.27)	1.085 [0.04]	.7500-28 UN-2A	0.721 (0.03)	0.875 (0.03)	0.625 (0.02)
12	0.650 (16.51)	0.646 (16.41)	0.677 (17.20)	1.180 [0.05]	.8750-28 UN-2A	0.843 (0.03)	1.000 (0.04)	0.750 (0.03)
14	0.805 (20.45)	0.768 (19.51)	0.800 (20.32)	1.325 [0.05]	1.0000-28 UN-2A	0.968 (0.04)	1.125 (0.04)	0.865 (0.03)

Jam-Nut Front Panel Mount Cutout Dimensions		
Shell Size	N Flat	Ø M
5	.482 (12.24)	.510 (12.95)
	.478 (12.14)	
6	.542 (13.77)	.575 (14.60)
	.538 (13.67)	
7	.676 (17.17)	.698 (17.73)
	.671 (17.04)	
8	.676 (17.17)	.698 (17.73)
	.671 (17.04)	
9	.732 (18.59)	.760 (19.30)
	.728 (18.49)	
10	.801 (20.35)	.822 (20.88)
	.796 (20.22)	
12	.982 (24.94)	1.010 (25.65)
	.978 (24.84)	
14	1.032 (26.21)	1.075 (27.30)
	1.028 (26.11)	

Material and Finish

- Shell: aluminum alloy or CRES / see how to order table
- Insulator: high grade rigid dielectric / N.A.
- Interfacial seal, O-ring, grommet: fluorosilicone / N.A.
- Contact: copper alloy / gold plate per ASTM B 488, Type II, Code C, Class 1.25, over suitable underplate
- Potting compound: epoxy / N.A.

SERIES 804 QDC PUSH-PULL