

SERIES 805 TRIPLE-START ACME THREAD Mighty Mouse Connectors and Cables



Sav-Con® Connector Saver, Environmental



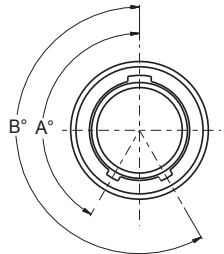
Glenair Sav-Con® Connector Savers are designed to protect connectors that are subject to repeated mating and unmating cycles. Sav-Con® Connector Savers prevent costly repair or replacement of expensive connectors while preserving the quality and integrity of the connector by absorbing connect and disconnect abuse.

Protect Equipment, equipment connectors that are mated frequently during manufacturing, test, check-out phases, and environmental test programs can be protected by Glenair Sav-Con® Connector Savers.

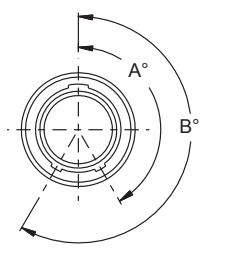
Prolong the Service Life of Test Cables Glenair Sav-Con® Connector Savers mated to test-cable connectors take the punishment of repetitive mating and unmating.

How To Order	
Sample Part Number	805-010 Z1 8-7 P A
Series	805-010 = Series 805 Connector Saver
Shell Material and Finish	C = Aluminum / Black Anodize (Non-Conductive); RoHS Compliant M = Aluminum / Electroless Nickel; RoHS Compliant MT = Aluminum / Nickel-PTFE RoHS Compliant NF = Aluminum / Cadmium with Olive Drab Chromate ZNU = Aluminum / Zinc-Nickel with Black Chromate Z1 = Stainless Steel / Passivated; RoHS Compliant
Shell Size - Insert Arrangement	See Contact Arrangements Page J-6
Contact Type * (Jam-Nut Side)	P = Pin on Plug Side, Socket Contact on Receptacle Side PP = Pin on Both Sides S = Socket Contact on Plug Side, Pin Contact on Receptacle Side SS = Socket on Both Sides
Shell Key Position Plug Side (See Table I)	A = Normal B = Pos. B C = Pos. C D = Pos. D E = Pos. E F = Pos. F
Shell Key Position Receptacle Side (See Table I)	A = Normal B = Pos. B C = Pos. C D = Pos. D E = Pos. E F = Pos. F; See note 10

Key Position	Key Rotation	
	A	B
A (Normal)	150°	210°
B	75°	210°
C	95°	230°
D	140°	275°
E	75°	275°
F	95°	210°

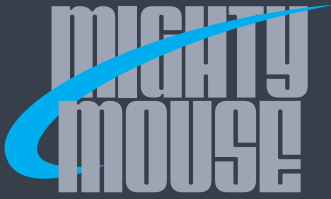


Key Position	Key Rotation	
	A	B
A (Normal)	150°	210°
B	75°	210°
C	95°	230°
D	140°	275°
E	75°	275°
F	95°	210°



NOTES

- Current Rating: #23 5 A, #16 13 A, #12 23 A
- Dielectric Withstanding Voltage:
#23 750 VAC, #20HD 1000 VAC, #12 and #16 1800 VAC
- Insulation Resistance: 5000 megohms minimum
- Operating Temperature: -65° C. to +175° C.
- Shock: 300 g.
- Vibration: 37 g.
- Shielding Effectiveness: 65 dB minimum from 1GHz to 10GHz.
- Magnetic Permeability: 2.0 μ maximum
- Durability: 500 mating cycles
- Omit for same key position on both plug and receptacle side

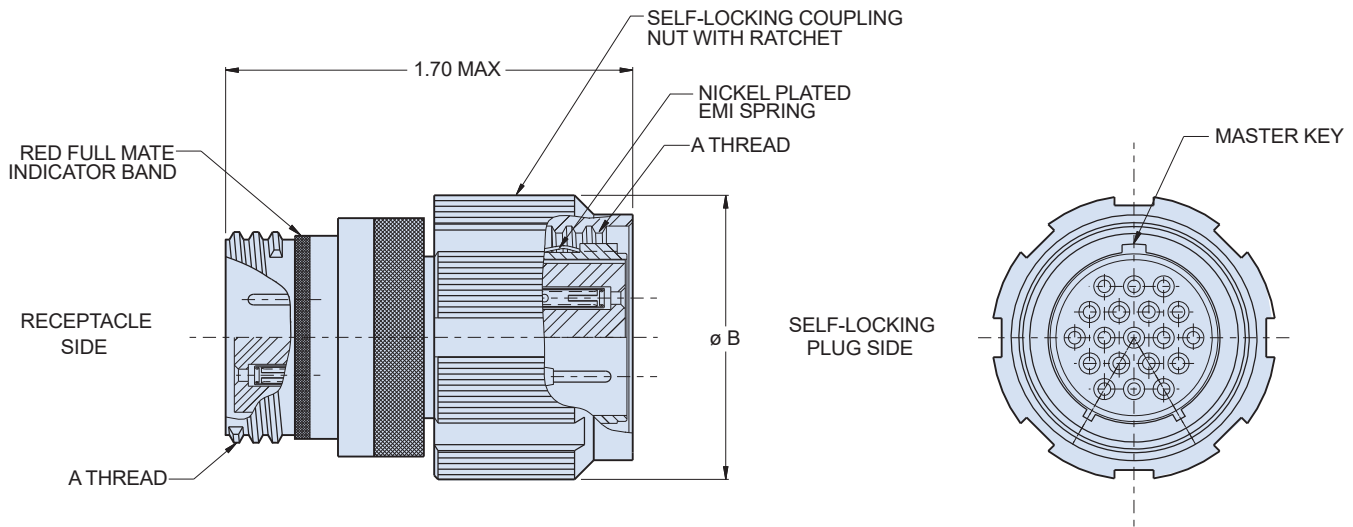


SERIES 805 TRIPLE-START ACME THREAD Mighty Mouse Connectors and Cables



Sav-Con® Connector Saver, Environmental

SAV-CON® CONNECTOR SAVER



Dimensions		
Shell Size	A Threads	Ø B
8	.5000-1P-.3L-TS	.692 (17.58)
9	.5625-1P-.3L-TS	.789 (20.04)
10	.6250-1P-.3L-TS	.827 (21.01)
11	.6875-1P-.3L-TS	.918 (23.32)
12	.7500-1P-.3L-TS	.984 (24.99)
13	.8125-1P-.3L-TS	1.047 (26.59)
15	.9375-1P-.3L-TS	1.098 (27.89)
18	1.1250-1P-.3L-TS	1.287 (32.69)
19	1.1875-1P-.3L-TS	1.311 (33.30)
21	1.3125-1P-.3L-TS	1.448 (36.78)
23	1.4375-1P-.3L-TS	1.562 (39.67)

Materials and Finishes

- Shell: Aluminum alloy or stainless steel
- Contacts: Copper alloy, 50 µm gold plated
- Insulators: High-grade rigid dielectric
- Seal: Fluorosilicone rubber
- Ground Spring: Nickel-plated beryllium copper

SERIES 805 TRIPLE-START ACME THREAD