



SERIES 805 TRIPLE-START ACME THREAD Mighty Mouse Connectors and Cables



Right Angle Environmental Plug with Integral Shield Termination Platform and Crimp Contacts

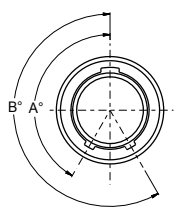


Series 805 Mighty Mouse Cobra™ features integral ultra-low profile right angle shielded backshell reduces clearance requirements without compromising ruggedness, environmental protection, or shielding performance. Removable rear cover allows easy access for soldering wires or inserting crimped wire contacts. Cover gasket prevents moisture intrusion. Master key may be clocked in 24 positions. Contacts are gold-plated copper alloy. Integral backshell allows for termination of cable shield to backshell with Band-Master strap and includes groove for lipped heat shrink boots. Crimp contacts are snap-in rear release — supplied separately. Available with size #23 contacts only.

How To Order	
Sample Part Number	805-061-16 Z1 8-6 P A 1 05
Series and Shell Style	805-061-16 = Low Profile, Right Angle Plug with Integral Backshell
Shell Material and Finish	M = Aluminum / Electroless Nickel; RoHS Compliant MT = Aluminum / Nickel-PTFE RoHS Compliant NF = Aluminum / Cadmium with Olive Drab Chromate ZNU = Aluminum / Zinc-Nickel with Black Chromate Z1 = Stainless Steel / Passivated; RoHS Compliant
Shell Size - Insert Arrangement (See Note 10)	8-4, 8-6, 8-7, 9-10, 10-13, 11-19, 12-26, 13-31, 15-37, 18-55, 19-85, 21-100, 23-130
Contact Type	A = Pin, Solder P = Pin, Crimp B = Socket, Solder S = Socket, Crimp
Shell Key Positions (See Table I)	A = Normal B = Pos. B C = Pos. C D = Pos. D E = Pos. E F = Pos. F
Cable Exit Direction (See Table II)	1 through 8
Cable Entry Size (See Table III)	02, 03, 04, 05, 06, 07, 08, 09, 10, 11, 12, 13, 14, 15, 16, 17

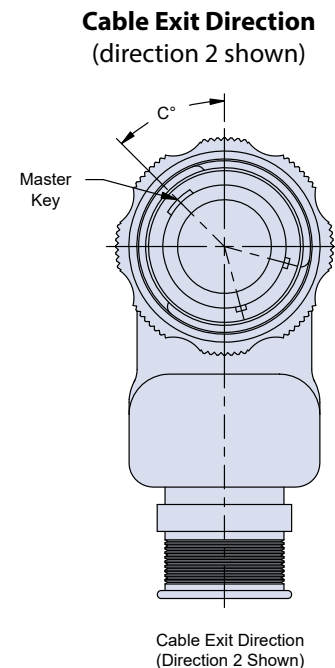
SERIES 805 TRIPLE-START ACME THREAD

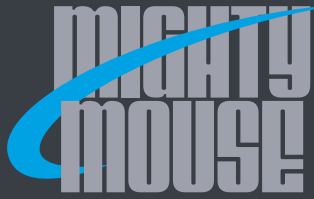
Pos.	A	B
A	150°	210°
B	75°	210°
C	95°	230°
D	140°	275°
E	75°	275°
F	95°	210°



Direction	C°	Direction	C°
1	0°	E	105
2	45°	F	120
3	90°	G	150
4	135°	H	165
5	180°	J	195
6	225°	K	210
7	270°	L	240
8	315°	M	255
A	15	N	285
B	30	P	300
C	60	R	330
D	75	S	345

Code	Entry Size	Code	Entry Size
02	.125 (3.18)	10	.625 (15.88)
03	.188 (4.78)	11	.688 (17.48)
04	.250 (6.35)	12	.750 (19.05)
05	.313 (7.95)	13	.813 (2.65)
06	.375 (9.52)	14	.875 (22.23)
07	.438 (11.13)	15	.938 (23.83)
08	.500 (12.70)	16	1.000 (25.40)
09	.563 (14.30)	17	1.063 (27.00)



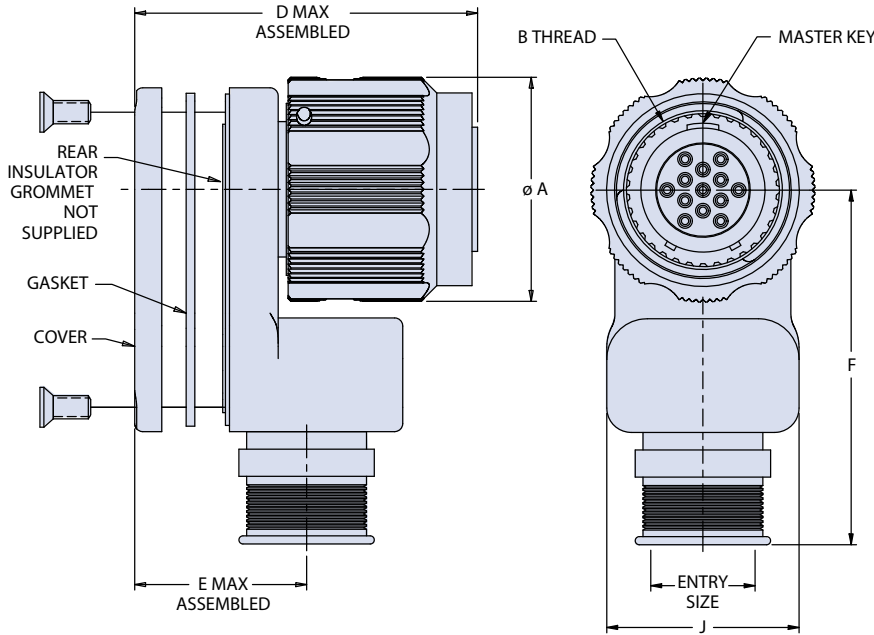


SERIES 805 TRIPLE-START ACME THREAD Mighty Mouse Connectors and Cables



Right Angle Environmental Plug with Integral Shield Termination Platform and Crimp Contacts

LOW PROFILE COBRA™ RIGHT ANGLE PLUG WITH INTEGRAL BACKSHELL

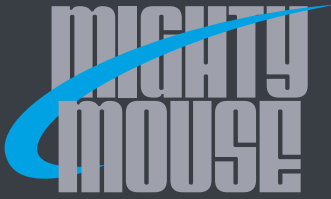


NOTES

1. Contacts are size 23
2. Consult factory for additional contact arrangements and or shell orientations
3. Crimp barrel accommodate 22, 24, 26 and 28 gage wire
4. Crimp tool data:
5. Hand crimp tool: Glenair P/N 809-015
6. Positioner for hand tool: Glenair P/N 809-005
7. Insertion/extraction tool: Glenair P/N 809-088
8. This connector mates with all quick coupling high density plug connectors with same polarization and opposite contact gender 805-003, 805-004
9. Rear insulator grommet not supplied
10. See Table IV for wire bend radius restrictions
11. Material and Finish
 - Plug barrel, coupling nut, housing, cover: aluminum alloy or SST / see how to order table
 - Insulator: High Grade Rigid Dielectric / N.A.
 - Interfacial seal, gasket: fluorosilicone / N.A.
 - Contact: copper alloy / gold plate per ASTM B 488, Type II, Code C, Class 1.25, over suitable underplate
 - Contact retention clip: beryllium copper alloy / N.A.
 - Hardware: stainless steel / passivate or black oxide
 - Retaining wire: torlon / N.A.
 - Detent spring, rivet: stainless steel / N.A.
 - EMI ground spring: beryllium copper / electroless nickel

Dimensions									
Shell Size	Ø A	B Thread	D	E	F	G	H	J	Max Entry
8	.65 (15.7)	.5000-.1P-.3L-TS-2B	1.02 (25.9)	.34 (8.6)	1.24 (31.5)	1.76 (44.7)	1.62 (41.1)	.560 (14.22)	04
9	.79 (20.1)	.5625-.1P-.3L-TS-2B	1.03 (26.2)	.39 (9.9)	1.28 (32.5)	1.77 (45.0)	1.63 (41.4)	.650 (16.51)	05
10	.83 (21.1)	.6250-.1P-.3L-TS-2B	1.05 (26.7)	.42 (10.7)	1.31 (33.3)	1.79 (45.5)	1.65 (41.9)	.710 (18.03)	06
11	.92 (23.4)	.6875-.1P-.3L-TS-2B	1.08 (27.4)	.45 (11.4)	1.34 (34.0)	1.82 (46.2)	1.68 (42.7)	.770 (19.56)	07
12	.98 (24.9)	.7500-.1P-.3L-TS-2B	1.11 (28.2)	.48 (12.2)	1.37 (34.8)	1.85 (47.0)	1.71 (43.4)	.835 (21.21)	08
13	1.05 (26.7)	.8125-.1P-.3L-TS-2B	1.14 (29.0)	.50 (12.7)	1.43 (36.3)	1.88 (47.8)	1.74 (44.2)	.900 (22.86)	09
15	1.10 (27.9)	.9375-.1P-.3L-TS-2B	1.17 (29.7)	.52 (13.2)	1.48 (37.6)	1.91 (48.5)	1.77 (45.0)	.950 (24.13)	10
18	1.29 (32.8)	1.1250-.1P-.3L-TS-2B	1.25 (31.8)	.58 (14.7)	1.64 (41.7)	1.99 (50.5)	1.85 (47.0)	1.070 (27.18)	12
19	1.31 (33.3)	1.1875-.1P-.3L-TS-2B	1.32 (33.5)	.63 (16.0)	1.78 (45.2)	2.06 (52.3)	1.92 (48.8)	1.180 (29.97)	13
21	1.45 (36.8)	1.3125-.1P-.3L-TS-2B	1.44 (36.6)	.70 (17.8)	1.89 (48.0)	2.18 (55.4)	2.04 (51.8)	1.300 (33.02)	15
23	1.56 (39.6)	1.4375-.1P-.3L-TS-2B	1.55 (39.4)	.76 (19.3)	1.98 (50.3)	2.30 (58.4)	2.16 (54.9)	1.410 (35.81)	17

SERIES 805 TRIPLE-START ACME THREAD



SERIES 805 TRIPLE-START ACME THREAD Mighty Mouse Connectors and Cables



Right Angle Environmental Plug with Integral Shield Termination Platform and Crimp Contacts

LOW PROFILE COBRA™ RIGHT ANGLE PLUG MATING SPACE REQUIREMENTS

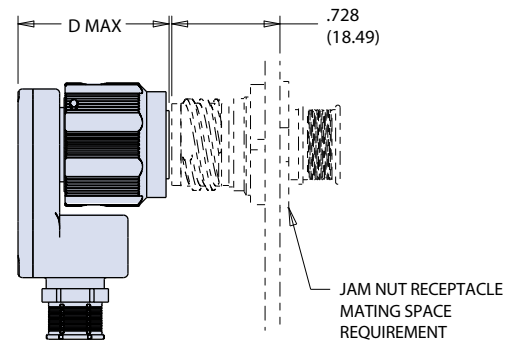
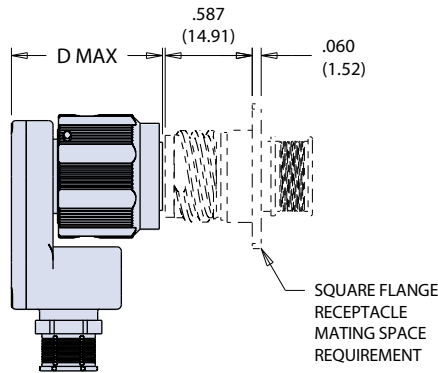
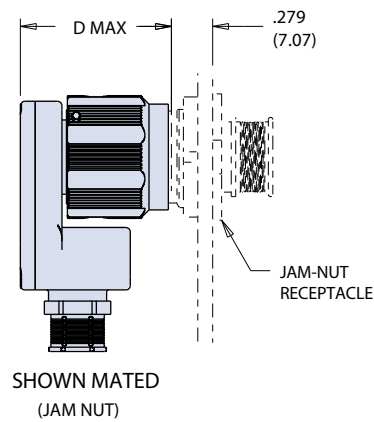
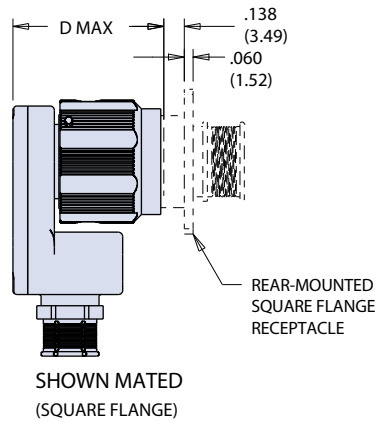


Table IV: Wire Bend Radius

Wire Size	Bend Radius
30 AWG	10x max
28 AWG	10x max
26 AWG	10x max
24 AWG	10x max
22 AWG	8x max
20 AWG	7x max
18 AWG	6x max
16 AWG	5x max
14 AWG	4x max
12 AWG	4x max

SERIES 805 TRIPLE-START ACME THREAD