

SERIES 811 HIGH-DENSITY DOUBLE-START Mighty Mouse Connectors and Cables



Pre-Wired Wall Mount Receptacle Connector Pigtails



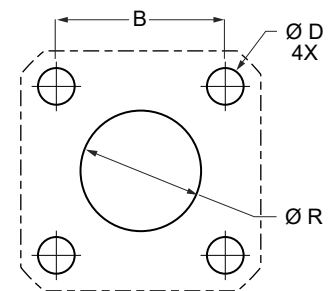
Wall Mount Pigtail Receptacles series 811 Mighty Mouse High Density panel mount receptacles feature damage-resistant double-start ACME mating threads. These receptacles are factory-terminated to insulated wire and backpotted with epoxy. The TwistPin contact system meets requirements of MIL-DTL-83513 and provides outstanding resistance to high levels of shock and vibration. Choose Type K general purpose Teflon® wire or Type J lightweight space-grade Tefzel® wire. 3A current rating, 600 VAC dielectric withstanding voltage.

How To Order	
Sample Part Number	811-003-02 MT 5-7 P A 6 K 7 -18
Series (See Table I)	811-003-02 = Wall Mount Receptacle Connector with Termination Platform for Shield Attachment or Overmolding 811-004-02 = Low Profile Wall Mount Receptacle Connector
Material/Finish (See Table II)	See Material and Finish Table
Shell Size - Insert Arr.	5-7 = 7 Contacts 6-12 = 12 Contacts 7-22 = 22 Contacts 8-30 = 30 Contacts 9-42 = 42 Contacts
Contact Type	P = Pin Contacts S = Socket Contacts
Key Position	A = Normal Alternate Key Positions: B, C, D, E, F
Wire size	6 = #26 8 = #28 (Color code 1 or 7 only) 0 = #30 (Wire Type J, color code 1 or 7 only)
Wire Type	K = M22759/11 J = M22759-33 E = NEMA HP3-EB
Wire Color	1 = White 5 = Color code per MIL-STD-681 (striped)* 7 = 10 Solid colors, repeating
Wire Length (inches)	12, 18, 36, 72 Specify any length from 2 inches to 144 inches

*Size 28 AWG and Size 30 AWG J type wire not available in striped color code 5

Table I: Series	
811-005-02 Receptacle with Banding Platform	811-004-02 Low Profile Receptacle without Banding Platform

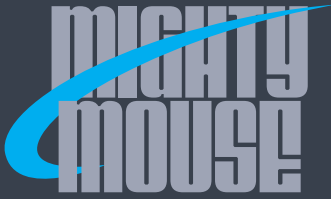
Panel Cutout			
Shell Size	ØR	B BSC	ØD
5	.328 (8.33)	.363 (9.22)	.096 (2.44) .091 (2.31)
6	.390 (9.91)	.423 (10.74)	.096 (2.44) .091 (2.31)
7	.453 (11.51)	.483 (12.27)	.096 (2.44) .091 (2.31)
8	.515 (13.08)	.545 (13.84)	.096 (2.44) .091 (2.31)
9	.578 (14.68)	.607 (15.42)	.130 (3.30) .126 (3.20)



Material and Finish		
Code	Material	Finish
ME	Aluminum	Electroless Nickel
MT	Aluminum	Nickel-PTFE
ZNU*	Aluminum	Zinc-Nickel with Black Chromate
ZR*	Aluminum	Zinc-Nickel with Black Chromate
Z1	Stainless Steel	Passivated

* **ZR** and **ZNU** plating are identical, RoHS compliant and non-reflective. Capable of 500 hour dynamic corrosion performance

SERIES 811 HIGH-DENSITY

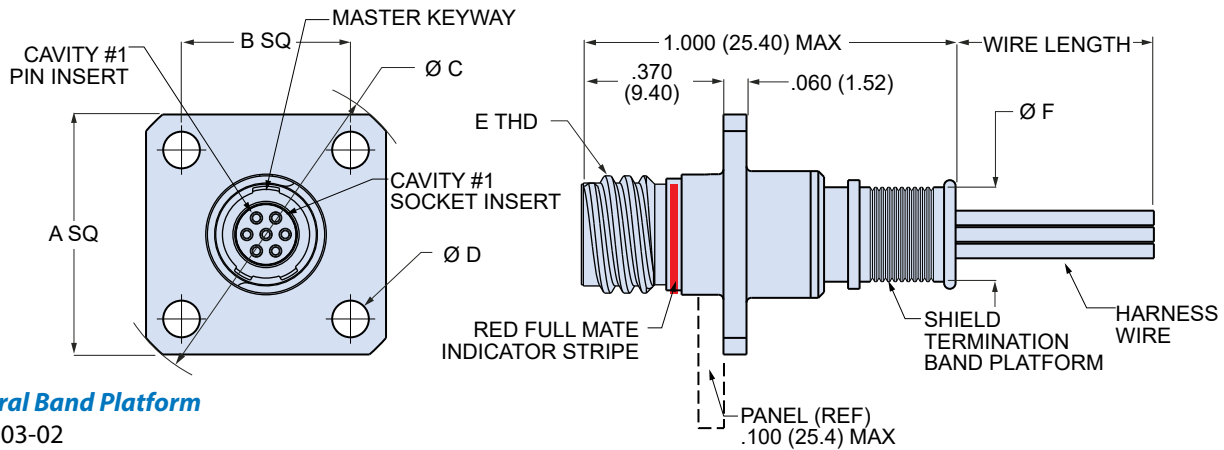


SERIES 811 HIGH-DENSITY DOUBLE-START Mighty Mouse Connectors and Cables

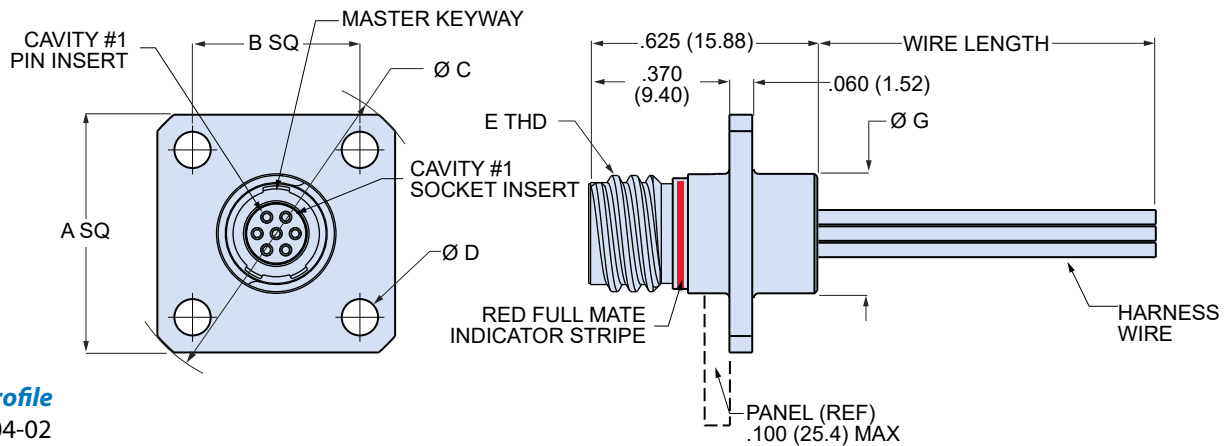


Pre-Wired Wall Mount Receptacle Connector Pigtails

WALL MOUNT RECEPTACLE, LOW PROFILE OR WITH BAND PLATFORM



Integral Band Platform
811-003-02



Low Profile
811-004-02

Dimensions													
Shell Size	A Square		B Square		Ø C		Ø D		E Thread	Ø F		Ø G	
	In.	mm.	In.	mm.	In.	mm.	In.	mm.		In.	mm.	In.	mm.
5	.625	15.88	.440	11.18	.825	20.96	.093	2.36	.3125-.05P-.1L-2A	.246	6.25	.320	8.13
6	.725	18.42	.530	13.46	.950	24.13	.093	2.36	.3750-.05P-.1L-2A	.286	7.26	.375	9.53
7	.800	20.32	.600	15.24	1.050	26.67	.093	2.36	.4375-.05P-.1L-2A	.391	9.93	.480	12.19
8	.850	21.59	.650	16.51	1.125	28.58	.093	2.36	.5000-.05P-.1L-2A	.443	11.25	.540	13.72
9	.950	24.13	.750	19.05	1.250	31.75	.093	2.36	.5625-.05P-.1L-2A	.498	12.65	.600	15.24

SERIES 811 HIGH-DENSITY