

# SERIES 811 HIGH-DENSITY DOUBLE-START Mighty Mouse Connectors and Cables



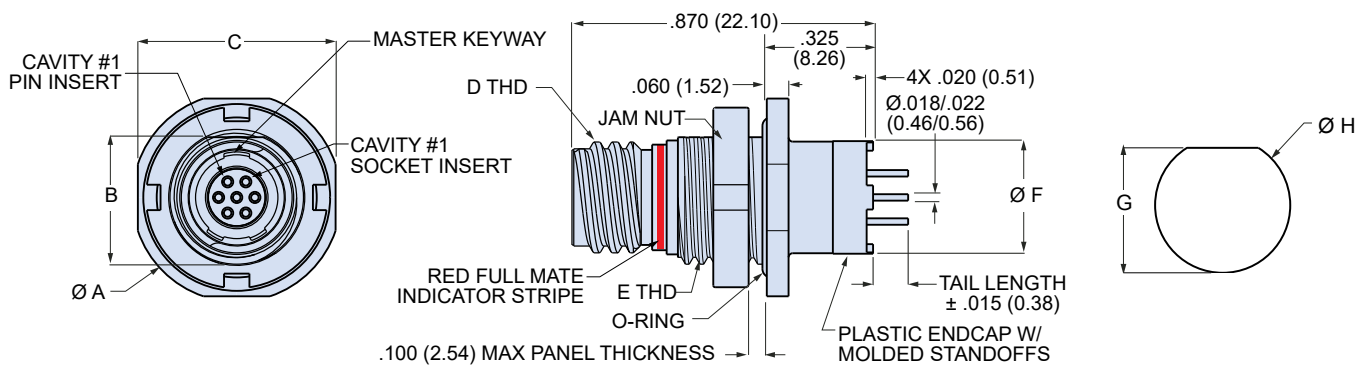
## Jam-nut Straight PCB Receptacle Connectors



**Jam-nut PC Tail Receptacles** Series 811 Mighty Mouse High Density jam-nut PCB receptacles have straight PC tails for termination to flex circuits or rigid boards. These receptacles are backpotted with epoxy. The TwistPin contact system meets requirements of MIL-DTL-83513 and provides outstanding resistance to high levels of shock and vibration. Choose solder-dipped or gold-plated tails. Select 811-006-07 with enhanced waterblocking for open face (unmated) immersion requirements. Molded plastic endcap has standoffs. 3A current rating, 600 VAC dielectric withstanding voltage.

How To Order							
<b>Sample Part Number</b>	<b>811-005-07</b>	<b>MT</b>	<b>5-7</b>	<b>P</b>	<b>A</b>	<b>3</b>	<b>-.125</b>
<b>Series</b>	<b>811-005-07</b> Series 811 rear panel mount jam-nut receptacle, straight pc tails, standard epoxy sealing <b>811-006-07</b> Series 811 rear panel mount jam-nut receptacle, straight pc tails, enhanced water blocking for open face (unmated) water immersion						
<b>Material/Finish*</b>	<b>ME</b> = Al/Electroless Nickel <b>ZR*</b> = Al/Zinc-Nickel with Black Chromate <b>MT</b> = Al/Nickel-PTFE <b>ZNU*</b> = Al/Zinc-Nickel with Black Chromate <b>Z1</b> = SST/Passivated						
<b>Shell Size - Insert Arr.</b>	<b>5-7</b> = 7 Contacts		<b>7-22</b> = 22 Contacts		<b>9-42</b> = 42 Contacts		
	<b>6-12</b> = 12 Contacts		<b>8-30</b> = 30 Contacts				
<b>Contact Type</b>	<b>P</b> = Pin Contacts <b>S</b> = Socket Contacts						
<b>Key Position</b>	<b>A</b> = Normal    Alternate Key Positions: <b>B, C, D, E, F</b>						
<b>PC Tail Finish</b>	<b>3</b> = Solder-Dipped in 63/37 Tin-Lead			<b>4</b> = Gold Plated			
<b>PC Tail Length</b>	<b>.090, .125, .250</b> (Other lengths are readily available)						

\* **ZR** and **ZNU** plating are RoHS compliant, non-reflective, capable of 500 hour dynamic corrosion performance.



Dimensions										
Shell Size	Ø A		B		C		D Thread	E THD UN-2A	Ø F	
	In.	mm.	In.	mm.	In.	mm.			In.	mm.
5	.575	14.61	.350	8.89	.545	13.84	.3125-.05P-.1L-2A	.375-28	.350	8.89
6	.635	16.13	.410	10.41	.602	15.29	.3750-.05P-.1L-2A	.4375-28	.490	12.45
7	.755	19.18	.536	13.61	.723	18.36	.4375-.05P-.1L-2A	.5625-32	.600	15.24
8	.755	19.18	.536	13.61	.723	18.36	.5000-.05P-.1L-2A	.5625-32	.670	17.02
9	.830	21.08	.596	15.14	.791	20.09	.5625-.05P-.1L-2A	.625-28	.770	19.56

Panel Cutout				
Shell Size	G		H Ø	
	In.±.002	mm.±0.05	In.±.002	mm.±0.05
5	.356	9.04	.385	9.78
6	.416	10.57	.447	11.35
7	.542	13.77	.572	14.53
8	.542	13.77	.572	14.53
9	.602	15.29	.635	16.13

SERIES 811 HIGH-DENSITY