

# SERIES 811 HIGH-DENSITY DOUBLE-START Mighty Mouse Connectors and Cables



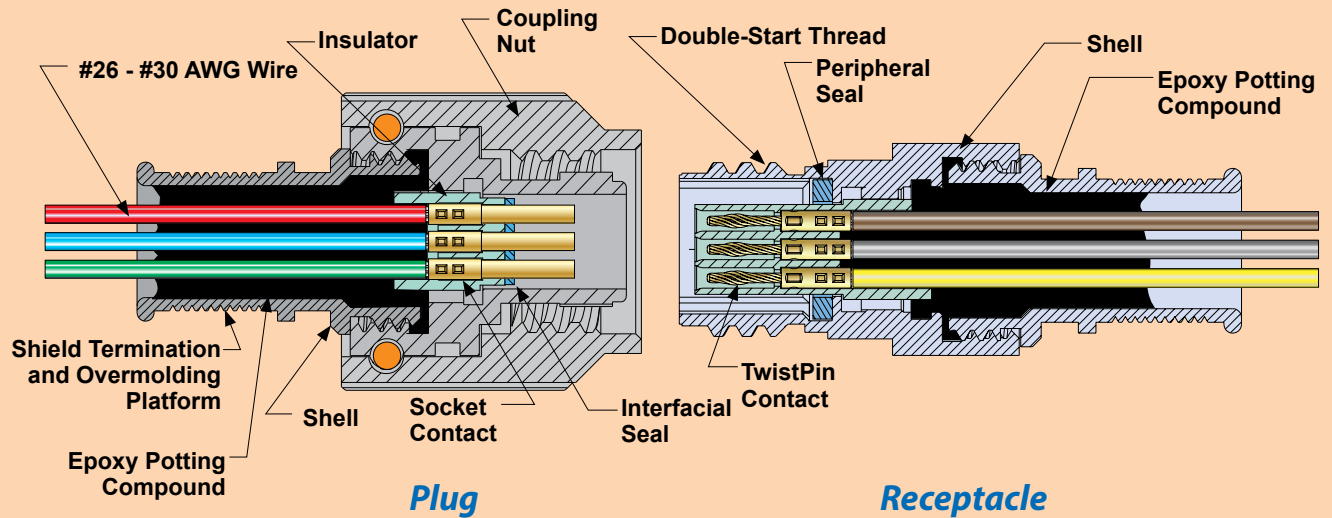
## Series 811 Mighty Mouse High Density (HD) Cutaway View and Contact Layouts

### SERIES 811 MIGHTY MOUSE HD WITH DOUBLE-START ACME MATING THREAD AND .050 INCH PITCH (1.27 MM) TWISTPIN CONTACT

Series 811 Mighty Mouse HD connector is a high-density version of the Mighty Mouse Series 801 connector. The Series 811 connector features a quick-mating, damage-resistant

double-start thread with the Glenair TwistPin contact system for increased circuit density, superior contact conductivity, and vibration resistance compared to split-tine contacts.

### Series 811 Mighty Mouse HD with Micro Miniature TwistPins

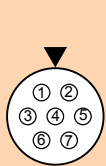


**Plug**

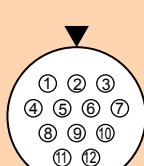
**Receptacle**

### Series 811 Mighty Mouse HD Contact Arrangements

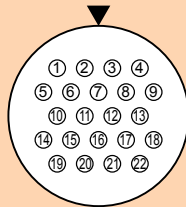
Pin insert shown, use reverse order for socket inserts.



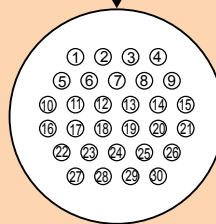
**5-7**  
7 Contacts



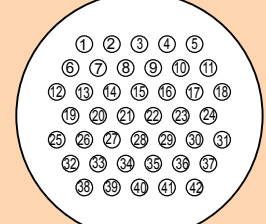
**6-12**  
12 Contacts



**7-22**  
22 Contacts



**8-30**  
30 Contacts



**9-42**  
42 Contacts

SERIES 811, MIGHTY MOUSE