

Series 806

Mighty Mouse Mil-Aero Connectors

240-806-21 Filtered Receptacles, Jam Nut, PC Tail, Threaded Standoff



Features

- Ceramic planar filter array
- PC tail contacts
- High density #20HD and #22HD arrangements for reduced size and weight
- Aerospace-grade materials, construction

Specifications

- Operating temperature: -55°C to +125°C
- Dielectric withstanding voltage: 300 VDC
- Current rating
#20HD contacts 5 A max.
#22HD contacts 3 A max.
- Mating durability: 500 cycles

Connector Construction

- Shell, jam nut: aluminum or stainless steel
- Contacts: copper alloy, gold plated
- Seals: fluorosilicone
- Insulator: high grade rigid dielectric

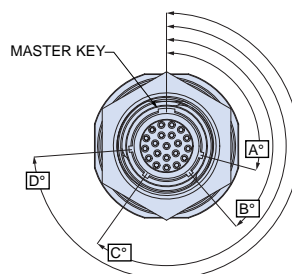
Ceramic planar array C and Pi filters. Jam nut panel mounting. PC tail with board mounting flange. 240-806-21 filtered receptacles save size and weight compared to legacy aerospace-grade EMI/RFI filter connectors. These high-performance, parylene-compatible connectors are suitable for areas subject to high vibration and moisture. Size 20HD and size 22HD contacts. Board mounting flange has threaded standoffs and orientation post. -55°C to +125°C Equipped with low-profile threaded standoff.

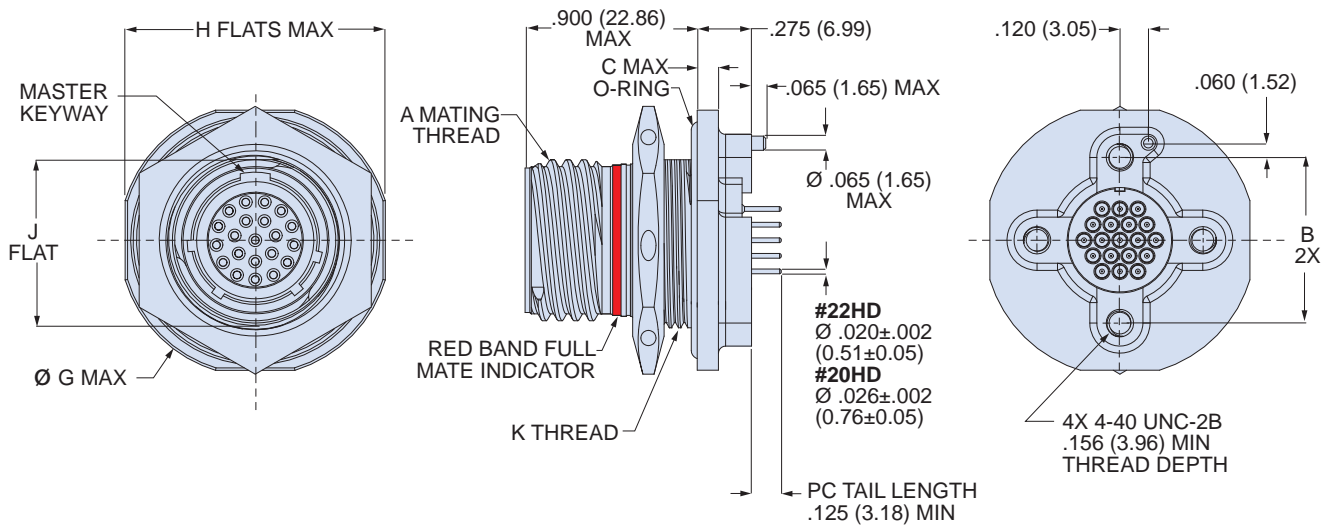
How To Order		ME	8-7	PP	P	C	A
SAMPLE PART NUMBER	240-806-21						
Product	240-806-21 = Filtered Receptacle, Board Mount						
Shell Material and Finish	ME = Aluminum, Electroless Nickel MT = Aluminum, Ni/PTFE ZR = Aluminum, Black Zinc-Nickel NF = Aluminum, Olive Drab Cadmium Z1 = Stainless Steel, Passivated						
Arrangement Number (Shell Size - Insert Arr.)	See Table 1						
Contact Type	PP = Pin, PC Tail SP = Socket, PC Tail						
Filter Type	P = Pi Filter C = C Filter L = L - C Filter M = C - L Filter						
Capacitance Class (Table 3)	A B C D E F G J						
Polarizing Position (Table 2)	A B C D E F						

No. of Contacts	#20HD	#22HD	Arr.	Shell Size
3	●		8-3	8
4		●	8-4	8
5	●		9-5	9
7		●	8-7	8
8	●		10-8	10
10	●		11-10	11
11		●	9-11	9
15		●	10-15	10
15	●		12-15	12
19		●	11-19	11
20	●		14-20	14
26		●	12-26	12
31	●		16-31	16
39		●	14-39	14
41	●		18-41	18
55	●		20-55	20
60		●	16-60	16
69	●		22-69	22
85		●	18-85	18
92	●		24-92	24
110		●	20-110	20
140		●	22-140	22
186		●	24-186	24

Position	A°	B°	C°	D°
A	105	140	215	265
B	102	170	248	305
C	80	150	230	295
D	68	140	205	275
E	64	155	234	304
F	72	120	200	298

Class	Capacitance Range (pF)	
	P (Pi-Section)	C, L, M (C, L-C, C-L)
A	38,000 - 56,000	19,000 - 28,000
B	32,000 - 45,000	16,000 - 22,500
C	18,000 - 33,000	9,000 - 16,500
D	8,000 - 12,000	4,000 - 6,000
E	3,300 - 5,000	1,650 - 2,500
F	800 - 1,300	400 - 650
G	400 - 600	200 - 300
J	70 - 120	35 - 60

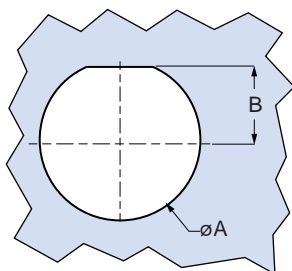




240-806-21 Receptacle Dimensions

Shell Size	A Mating Thread	B		C Max		øG Max		H Max		J Flat		K Thd x1.0-6g-0.100R
		In.	mm.	In.	mm.	In.	mm.	In.	mm.	In.	mm.	
8	.5000-.067P-.2L-TS-2A	.534	13.56	.100	2.54	.980	24.69	.920	23.37	.536	13.61	M15
9	.5625-.067P-.2L-TS-2A	.579	14.71	.100	2.54	1.040	26.42	.980	24.89	.587	14.91	M16
10	.6250-.067P-.2L-TS-2A	.679	17.25	.100	2.54	1.110	28.19	1.050	26.67	.658	16.71	M18
11	.6875-.067P-.2L-TS-2A	.734	18.64	.100	2.54	1.160	29.46	1.110	28.19	.709	18.01	M19
12	.7500-.067P-.2L-TS-2A	.804	20.42	.100	2.54	1.230	31.24	1.170	29.72	.779	19.79	M21
14	.8750-.067P-.2L-TS-2A	.891	22.63	.100	2.54	1.360	34.54	1.320	33.53	.900	22.86	M24
16	1.0000-.067P-.2L-TS-2A	1.049	26.64	.100	2.54	1.515	38.48	1.444	36.68	1.022	25.96	M27
18	1.1250-.067P-.2L-TS-2A	1.148	29.16	.100	2.54	1.610	40.89	1.570	39.88	1.144	29.06	M30
20	1.2500-.067P-.2L-TS-2A	1.252	31.80	.128	3.25	1.850	46.99	1.760	44.70	1.285	32.64	M34
22	1.3750-.067P-.2L-TS-2A	1.369	34.77	.128	3.25	2.010	51.05	1.913	48.59	1.406	35.71	M37
24	1.5000-.067P-.2L-TS-2A	1.509	38.33	.128	3.25	2.195	55.75	2.070	52.58	1.547	39.29	M41

240-806-21 Jam Nut D-Hole Dimensions



Shell Size	øA		B	
	In. +0.005/-0.00	mm. +0.13/-0.00	In. +0.005/-0.00	mm. +0.13/-0.00
8	.601	15.27	.256	6.50
9	.640	16.26	.287	7.29
10	.719	18.26	.318	8.08
11	.759	19.28	.350	8.89
12	.837	21.26	.381	9.67
14	.955	24.26	.443	11.25
16	1.073	27.25	.505	12.83
18	1.192	30.28	.568	14.43
20	1.349	34.26	.630	16.00
22	1.467	37.26	.693	17.60
24	1.624	41.25	.755	19.18

Table 4
Filter Types

C	Single capacitor with low self inductance
Pi	Dual capacitors with a single inductive element positioned between
L-C	Single capacitor and an inductive element
C-L	Single capacitor and an inductive element