

Series 806

Mighty Mouse Mil-Aero Connectors

240-806 Filtered Receptacles, Jam Nut



Features

- Ceramic planar filter array
- Solder cup or PC tail contacts
- High density #20HD and #22HD arrangements for reduced size and weight
- Aerospace-grade materials, construction

Specifications

- Operating temperature: -55°C to +125°C
- Dielectric withstanding voltage: 300 VDC
- Current rating
#20HD contacts 5 A max.
#22HD contacts 3 A max.
- Mating durability: 500 cycles

Connector Construction

- Shell, jam nut: aluminum or stainless steel
- Contacts: copper alloy, gold plated
- Seals: fluorosilicone
- Insulator: high grade rigid dielectric

Ceramic planar array C and Pi filters. Jam nut panel mounting. PC tail or solder cup contacts. 240-806 filtered receptacles save size and weight compared to traditional aerospace-grade circular connectors. These high performance connectors are suitable for areas subject to high vibration and moisture. -55°C to +125°C.

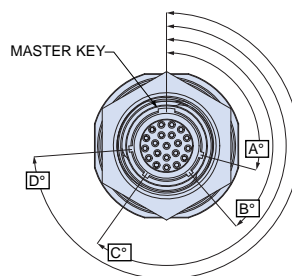
How To Order	
SAMPLE PART NUMBER	240-806 -07 ME 8-7 PS C B A
Product	240-806 = Filtered Receptacle
Mounting Type	07 = Jam Nut with Solder Cup Contacts and NanoBand Platform 08 = Jam Nut with PC Tail Contacts*
Shell Material and Finish	ME = Aluminum, Electroless Nickel MT = Aluminum, Ni/PTFE ZR = Aluminum, Black Zinc-Nickel NF = Aluminum, Olive Drab Cadmium Z1 = Stainless Steel, Passivated
Arrangement Number (Shell Size - Insert Arr.)	See Table 1
Contact Type	PP = Pin, PC Tail (mounting type 08 only) PS = Pin, Solder Cup (mounting type 07 only) SP = Socket, PC Tail (mounting type 08 only) SS = Socket, Solder Cup (mounting type 07 only)
Filter Type	P = Pi Filter C = C Filter L = L - C Filter M = C - L Filter
Capacitance Class (Table 3)	A B C D E F G J
Polarizing Position (Table 2)	A B C D E F

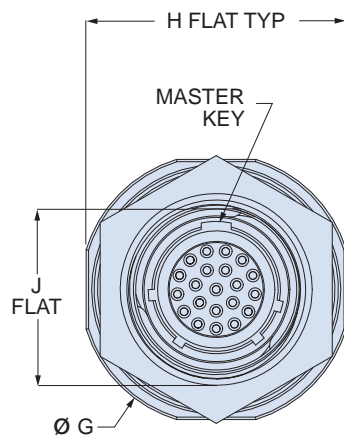
* PC-tail contact versions are parylene-compatible

No. of Contacts	#20HD	#22HD	Arr.	Shell Size
3	●		8-3	8
4		●	8-4	8
5	●		9-5	9
7		●	8-7	8
8	●		10-8	10
10	●		11-10	11
11		●	9-11	9
15		●	10-15	10
15	●		12-15	12
19		●	11-19	11
20	●		14-20	14
26		●	12-26	12
31	●		16-31	16
39		●	14-39	14
41	●		18-41	18
55	●		20-55	20
60		●	16-60	16
69	●		22-69	22
85		●	18-85	18
92	●		24-92	24
110		●	20-110	20
140		●	22-140	22
186		●	24-186	24

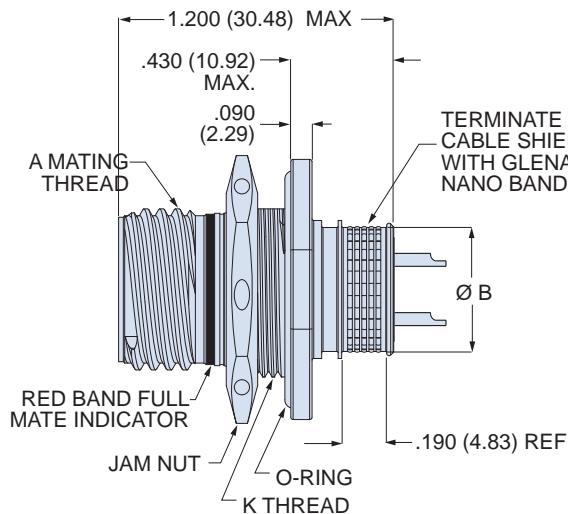
Position	A°	B°	C°	D°
A	105	140	215	265
B	102	170	248	305
C	80	150	230	295
D	68	140	205	275
E	64	155	234	304
F	72	120	200	298

Class	Capacitance Range (pF)	
	P (Pi-Section)	C, L, M (C, L-C, C-L)
A	38,000 - 56,000	19,000 - 28,000
B	32,000 - 45,000	16,000 - 22,500
C	18,000 - 33,000	9,000 - 16,500
D	8,000 - 12,000	4,000 - 6,000
E	3,300 - 5,000	1,650 - 2,500
F	800 - 1,300	400 - 650
G	400 - 600	200 - 300
J	70 - 120	35 - 60

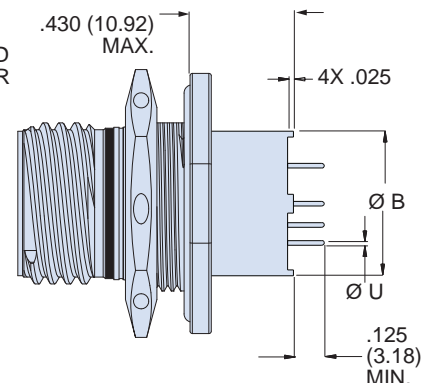




Contact Size	ØU	
	±.002 (0.05) In.	mm.
#20	.026	0.66
#22	.020	0.51



SHELL STYLE 07
JAM NUT RECEPTACLE
NANOBAND PLATFORM, SOLDER CUP CONTACTS



SHELL STYLE 08
JAM NUT RECEPTACLE
PCB CONTACTS

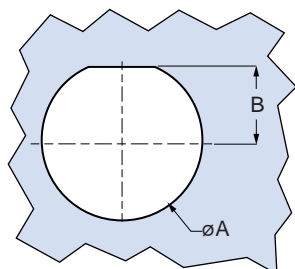
240-806 Receptacle Dimensions

Shell Size	A Mating Thread	ØB		ØG Max		H Max		J Flat		K Thd x1.0-6g-0.100R
		In.	mm.	In.	mm.	In.	mm.	In.	mm.	
8	.5000-.067P-.2L-TS-2A	.424	10.77	.980	24.69	.920	23.37	.536	13.61	M15
9	.5625-.067P-.2L-TS-2A	.464	11.79	1.040	26.42	.980	24.89	.587	14.91	M16
10	.6250-.067P-.2L-TS-2A	.584	14.83	1.110	28.19	1.050	26.67	.658	16.71	M18
11	.6875-.067P-.2L-TS-2A	.619	15.72	1.160	29.46	1.110	28.19	.709	18.01	M19
12	.7500-.067P-.2L-TS-2A	.699	17.75	1.230	31.24	1.170	29.72	.779	19.79	M21
14	.8750-.067P-.2L-TS-2A	.784	19.91	1.360	34.54	1.320	33.53	.900	22.86	M24
16	1.0000-.067P-.2L-TS-2A	.919	23.34	1.515	38.48	1.444	36.68	1.022	25.96	M27
18	1.1250-.067P-.2L-TS-2A	1.014	25.76	1.610	40.89	1.570	39.88	1.144	29.06	M30
20	1.2500-.067P-.2L-TS-2A	1.150	29.21	1.850	46.99	1.760	44.70	1.285	32.64	M34
22	1.3750-.067P-.2L-TS-2A	1.254	31.85	2.010	51.05	1.913	48.59	1.406	35.71	M37
24	1.5000-.067P-.2L-TS-2A	1.394	35.41	2.195	55.75	2.070	52.58	1.547	39.29	M41

Table 4 Filter Types

C	Single capacitor with low self inductance	
Pi	Dual capacitors with a single inductive element positioned between	
L-C	Single capacitor and an inductive element	
C-L	Single capacitor and an inductive element	

240-806 Jam Nut D-Hole Dimensions



Shell Size	ØA		B	
	In.	mm.	In.	mm.
8	+.005/-0.00	+0.13/-0.00	+.005/-0.00	+0.13/-0.00
9	.601	15.27	.256	6.50
10	.640	16.26	.287	7.29
11	.719	18.26	.318	8.08
12	.759	19.28	.350	8.89
14	.837	21.26	.381	9.67
16	.955	24.26	.443	11.25
18	1.073	27.25	.505	12.83
20	1.192	30.28	.568	14.43
22	1.349	34.26	.630	16.00
24	1.467	37.26	.693	17.60
24	1.624	41.25	.755	19.18