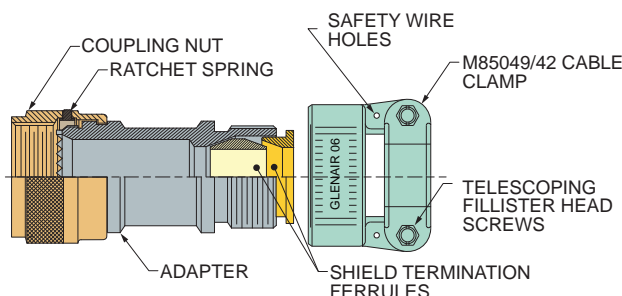




EMI shielding. Self-locking. Straight, 45° or 90°. Non-environmental. 380-143 backshells fit Glenair Series 806 connectors. These spin coupling backshells have ground rings for cable braid shield termination. Heavy duty saddle clamp with stainless steel telescoping screws. Meets requirements of AS85049 Category 3C medium duty. Aluminum or stainless steel.



Features

- EMI/RFI protected
- Self-locking spin coupling
- Telescoping clamp screws
- Non-environmental

Specifications

- Operating temperature: codes ME, MT and Z1: -65°C to +200°C codes ZR, NF: -65°C to +175°C
- Shell conductivity: aluminum versions: 2.5 milliohms max. Stainless steel: 5 milliohms max.
- Salt spray (corrosion) Code ME: 96 hours Code NF, ZR, MT, Z1: 1000 hours
- Vibration: SAE AS85049 Category 3C
- Shock: SAE AS85049 Category 3C

Construction

- Coupling nut, adapter, ferrules, clamps: see material/finish codes
- Anti-decoupling device: corrosion-resistant material
- Hardware: stainless steel, passivated

How To Order						
SAMPLE PART NUMBER	380VS143	ME	12	06	H	4
Product	380VS143 = EMI Backshell, Straight 380VM143 = EMI Backshell, 45° 380VN143 = EMI Backshell, 90°					
Material/ Finish	ME = Aluminum, Electroless Nickel MT = Aluminum, Ni/PTFE ZR = Aluminum, Black Zinc-Nickel NF = Aluminum, Olive Drab Cadmium Z1 = Stainless Steel, Passivated					
Shell Size	09 10 11 12 14 16 18 20 22 24					
Cable Clamp Size	See Table 1 for cable clamp sizes					
Strain Relief Clamp	H = Saddle bar clamp, heavy duty, with telescoping screws					
Backshell Length	Omit for 45° and 90° versions. Applicable to 380VS143 only. Length in 1/2 inch increments: 3 = 1 1/2 inches (min. for Style 1 shown at right) 4 = 2 inches (min. for Style 2 shown on following page) 5 = 2 1/2 inches 6 = 3 inches					

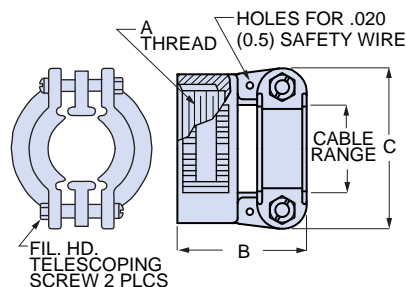
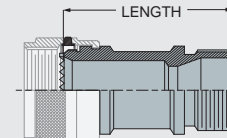
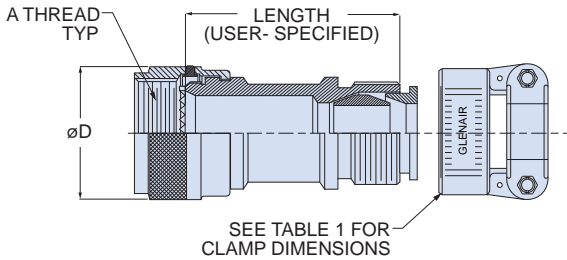


Table 1 Cable Clamp Size									
Clamp Size	Cable Range				A Thread Class 2B	B Max.		C Max.	
	Min. In.	Min. mm.	Max. In.	Max. mm.		In.	mm.	In.	mm.
04	.125	3.2	.312	7.9	.625-24UNEF	1.301	33.04	.957	24.3
06	.250	6.4	.437	11.1	.750-20UNEF	1.301	33.04	1.145	29.1
08	.312	7.9	.562	14.3	.875-20UNEF	1.301	33.04	1.332	33.8
10	.350	8.9	.625	15.9	1.000-20UNEF	1.301	33.04	1.332	33.8
12	.500	12.7	.750	19.1	1.1875-18UNEF	1.332	33.83	1.551	39.4
16	.625	15.9	.937	23.8	1.4375-18UNEF	1.426	36.22	1.770	45.0
20	.875	22.2	1.250	31.8	1.750-18UNS	1.613	40.97	2.113	53.7
24	1.000	25.4	1.375	34.9	2.000-18UNS	1.645	41.78	2.363	60.0

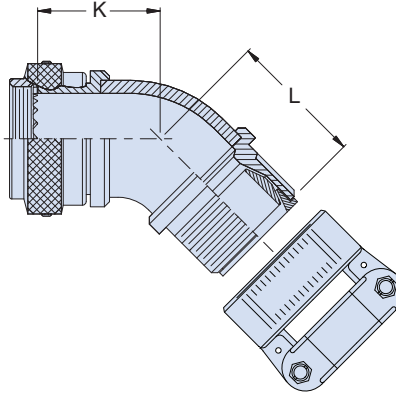
380VS143

Straight Exit



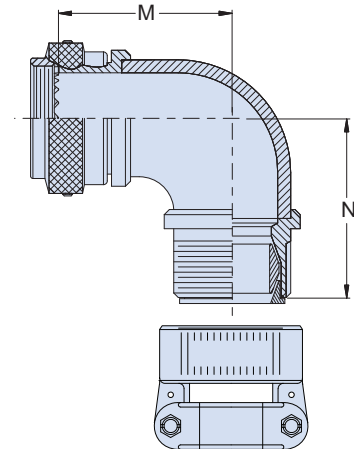
380VM143

45° Exit



380VN143

90° Exit

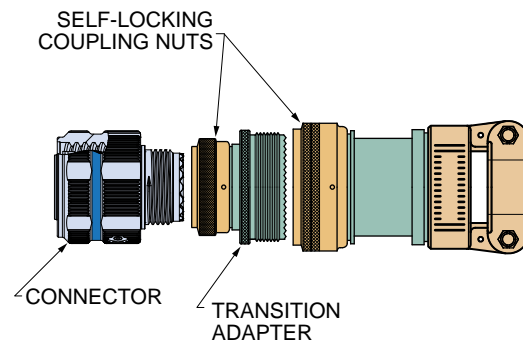


Shell Size	A ISO Metric Thread	øD Max.		K Max. ⁽¹⁾		L Max.		M Max. ⁽¹⁾		N Max.		Max. Clamp Size ⁽¹⁾	Max. Cable Dia. ⁽¹⁾	
		In.	mm.	In.	mm.	In.	mm.	In.	mm.	In.	mm.		In.	mm.
09	M12 x 1.0-6H	.735	18.67	.790	20.07	1.070	27.18	.940	23.88	1.230	31.24	04	.312	7.9
10	M14 x 1.0-6H	.786	19.96	.790	20.07	1.130	28.70	.970	24.64	1.320	33.53	04	.312	7.9
11	M15 x 1.0-6H	.830	21.08	.790	20.07	1.130	28.70	.970	24.64	1.320	33.53	06	.437	11.1
12	M17 x 1.0-6H	.911	23.14	.830	21.08	1.210	30.73	1.040	26.42	1.420	36.07	06	.437	11.1
14	M19 x 1.0-6H	1.002	25.45	.830	21.08	1.210	30.73	1.040	26.42	1.420	36.07	08	.562	14.3
16	M22 x 1.0-6H	1.149	29.18	.840	21.34	1.280	32.51	1.080	27.43	1.520	38.61	10	.625	14.3
18	M25 x 1.0-6H	1.264	32.11	.890	22.61	1.360	34.54	1.140	28.96	1.620	41.15	12	.750	19.1
20	M28 x 1.0-6H	1.394	35.41	.920	23.37	1.430	36.32	1.210	30.73	1.710	43.43	16	.937	23.8
22	M31 x 1.0-6H	1.513	38.43	.950	24.13	1.490	37.85	1.280	32.51	1.810	45.97	16	.937	23.8
24	M34 x 1.0-6H	1.631	41.43	.980	24.89	1.550	39.37	1.330	33.78	1.910	48.51	16	.937	23.8

(1) If the maximum clamp size is exceeded, the backshell will be a "Style 2" with a transition adapter as shown below. The K and M dimensions will be increased by 1.00 inch (25.4 mm.) maximum.

Style 2 Backshells for Large Diameter Cables

If the cable clamp is larger than the maximum clamp size shown in the table above, the backshell will be supplied with a **transition adapter** and a second coupling nut. This type of backshell is called a **Style 2**. The large diameter of the Style 2 backshell allows it to slide over the cable until the connector is wired and ready for backshell installation. On straight exit backshells, the transition adapter does not affect the length. On 45° and 90° versions the transition adapter adds 1.00 inch (25.4mm) maximum to the backshell length.



Style 2 Backshell