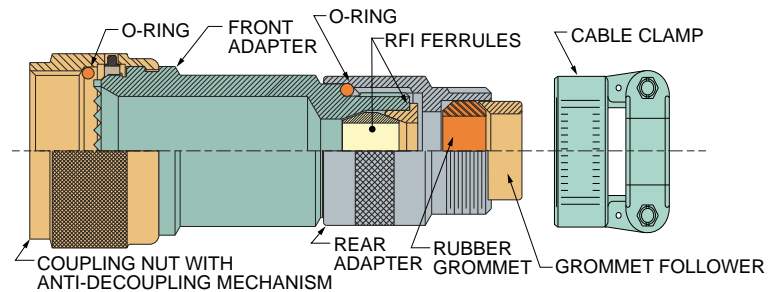




EMI shielding. Submersible. Self-locking. Straight, 45° or 90°. For use with shielded, jacketed cable. Compatible with Series 806 ultraminiature connectors. Terminate cable shield to inner and outer ground rings. Heavy duty cable clamps. Aluminum or stainless steel with silicone O-rings and gland. Stainless steel telescoping clamp screws. Meets environmental, electrical and mechanical requirements of AS85049 Category 1A Heavy Duty.



Features

- EMI/RFI protected
- Self-locking spin coupling
- Telescoping clamp screws
- Submersible, environmental

Specifications

- Operating temperature: codes ME, MT and Z1: -65°C to +200°C codes ZR, NF: -65°C to +175°C
- Shell conductivity: aluminum versions: 2.5 milliohms max. Stainless steel: 5 milliohms max.
- Salt spray (corrosion) Code ME: 96 hours Code NF, ZR, MT, Z1: 1000 hours
- Vibration: SAE AS85049 Category 1A
- Shock: SAE AS85049 Category 1A
- Water pressure: SAE AS85049 Cat. 1A

Construction

- Coupling nut, adapters, ferrules, clamps, follower: see material/finish codes
- O-rings, grommet: silicone
- Anti-decoupling device: corrosion-resistant material
- Hardware: stainless steel, passivated

How To Order						
SAMPLE PART NUMBER	390VS091	ME	12	06	H	4
Product	390VS091 = Straight Backshell 390VM091 = 45° Backshell 390VN091 = 90° EMI Backshell					
Material/ Finish	ME = Aluminum, Electroless Nickel MT = Aluminum, Ni/PTFE ZR = Aluminum, Black Zinc-Nickel NF = Aluminum, Olive Drab Cadmium Z1 = Stainless Steel, Passivated					
Shell Size	09 10 11 12 14 16 18 20 22 24					
Cable Clamp Size	See Table 1 for cable clamp sizes					
Strain Relief Clamp	H = Saddle bar clamp, heavy duty, with telescoping screws					
Backshell Length	Omit for 45° and 90° versions. Applicable to 390VS091 only. Length in 1/2 inch increments: 3 = 1 1/2 inches (min. for Style 1) 4 = 2 inches (min. for Style 2) 5 = 2 1/2 inches 6 = 3 inches					

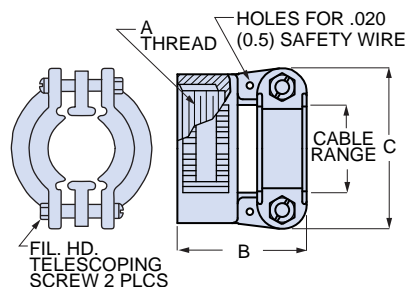
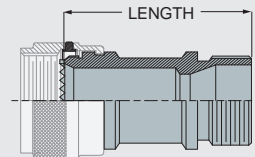
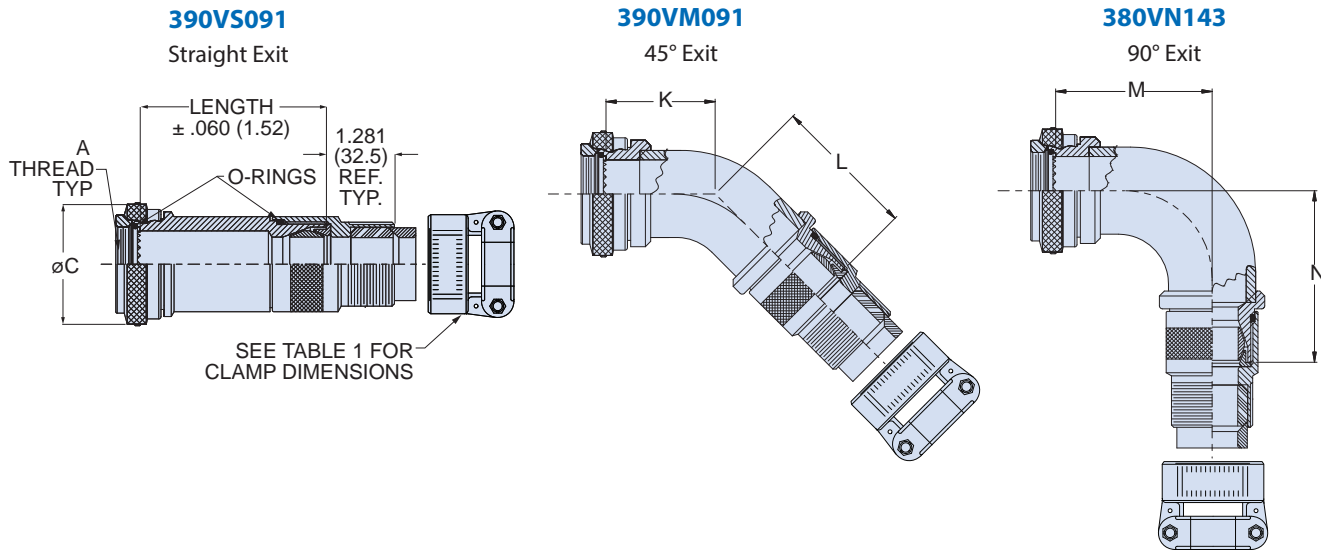


Table 1 Cable Clamp Size									
Clamp Size	Cable Range				A Thread Class 2B	B Max.		C Max.	
	Min. In.	Min. mm.	Max. In.	Max. mm.		In.	mm.	In.	mm.
04	.125	3.2	.312	7.9	.625-24UNEF	1.301	33.04	.957	24.3
06	.250	6.4	.437	11.1	.750-20UNEF	1.301	33.04	1.145	29.1
08	.312	7.9	.562	14.3	.875-20UNEF	1.301	33.04	1.332	33.8
10	.350	8.9	.625	15.9	1.000-20UNEF	1.301	33.04	1.332	33.8
12	.500	12.7	.750	19.1	1.1875-18UNEF	1.332	33.83	1.551	39.4
16	.625	15.9	.937	23.8	1.4375-18UNEF	1.426	36.22	1.770	45.0
20	.875	22.2	1.250	31.8	1.750-18UNS	1.613	40.97	2.113	53.7
24	1.000	25.4	1.375	34.9	2.000-18UNS	1.645	41.78	2.363	60.0



SEE TABLE 1 FOR CLAMP DIMENSIONS

Shell Size	A ISO Metric Thread	øC Max.		K Max. ⁽¹⁾		L Max.		M Max. ⁽¹⁾		N Max.		Max. Clamp Size ⁽¹⁾	Max. Cable Dia. ⁽¹⁾	
		In.	mm.	In.	mm.	In.	mm.	In.	mm.	In.	mm.		In.	mm.
09	M12 x 1.0-6H	.786	19.96	.790	20.07	1.070	27.18	.940	23.88	1.230	31.24	04	.312	7.9
10	M14 x 1.0-6H	.883	22.43	.790	20.07	1.130	28.70	.970	24.64	1.320	33.53	04	.312	7.9
11	M15 x 1.0-6H	.911	23.14	.790	20.07	1.130	28.70	.970	24.64	1.320	33.53	06	.437	11.1
12	M17 x 1.0-6H	1.002	25.45	.830	21.08	1.210	30.73	1.040	26.42	1.420	36.07	06	.437	11.1
14	M19 x 1.0-6H	1.066	27.08	.830	21.08	1.210	30.73	1.040	26.42	1.420	36.07	08	.562	14.3
16	M22 x 1.0-6H	1.196	30.38	.840	21.34	1.280	32.51	1.080	27.43	1.520	38.61	10	.625	14.3
18	M25 x 1.0-6H	1.311	33.30	.890	22.61	1.360	34.54	1.140	28.96	1.620	41.15	12	.750	19.1
20	M28 x 1.0-6H	1.430	36.32	.920	23.37	1.430	36.32	1.210	30.73	1.710	43.43	16	.937	23.8
22	M31 x 1.0-6H	1.548	39.32	.950	24.13	1.490	37.85	1.280	32.51	1.810	45.97	16	.937	23.8
24	M34 x 1.0-6H	1.696	43.08	.980	24.89	1.550	39.37	1.330	33.78	1.910	48.51	16	.937	23.8

(1) If the maximum clamp size is exceeded, the backshell will be a "Style 2" with a transition adapter as shown below. The K and M dimensions will be increased by 1.00 inch (25.4 mm.) maximum.

Style 2 Backshells for Large Diameter Cables

If the cable clamp is larger than the maximum clamp size shown in the table above, the backshell will be supplied with a **transition adapter** and a second coupling nut. This type of backshell is called a **Style 2**. The large diameter of the Style 2 backshell allows it to slide over the cable until the connector is wired and ready for backshell installation. On straight exit backshells, the transition adapter does not affect the length. On 45° and 90° versions the transition adapter adds 1.00 inch (25.4mm) maximum to the backshell length.

