

ULTRAMINIATURE CIRCULAR

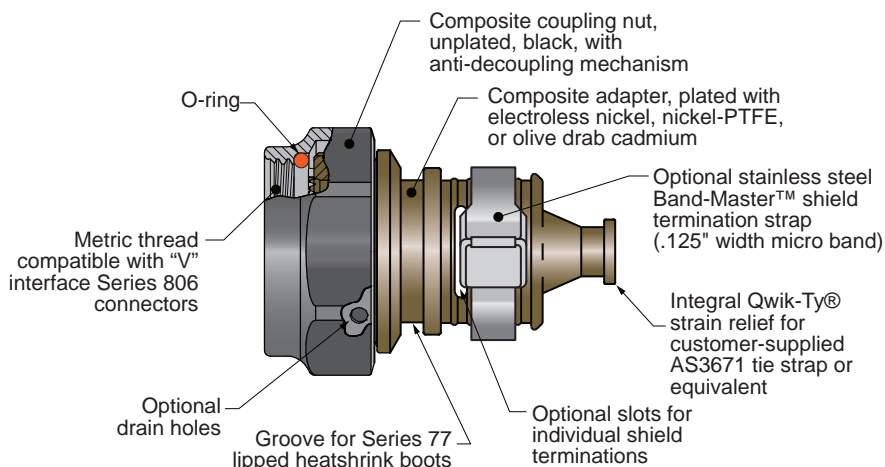
# Series 806

# Mighty Mouse Mil-Aero Connectors

## 440-202 Composite EMI/RFI Banding Adapter



**Lightweight. Corrosion-resistant composite. Band-Master ATS® shield termination. Self-locking. Integral Qwik-Ty.** Spin coupling EMI/RFI adapter with anti-decoupling ratchet prevents loosening under vibration. Fits Series 806 connectors. Terminate cable shield to backshell with **Band-Master ATS®** stainless steel band. Compatible with Glenair Series 77 lipped heatshrink boots. Straight, 45° or 90° cable exit.



### Features

- EMI/RFI
- Self-locking spin coupling
- Integral Qwik-Ty® strain relief

### Specifications

- Operating temperature: codes XM, XMT: -65°C to +200°C codes XW: -65°C to +175°C
- Salt spray (corrosion): 2000 hours
- Vibration: SAE AS85049 Category 3B
- Shock: SAE AS85049 Category 3B

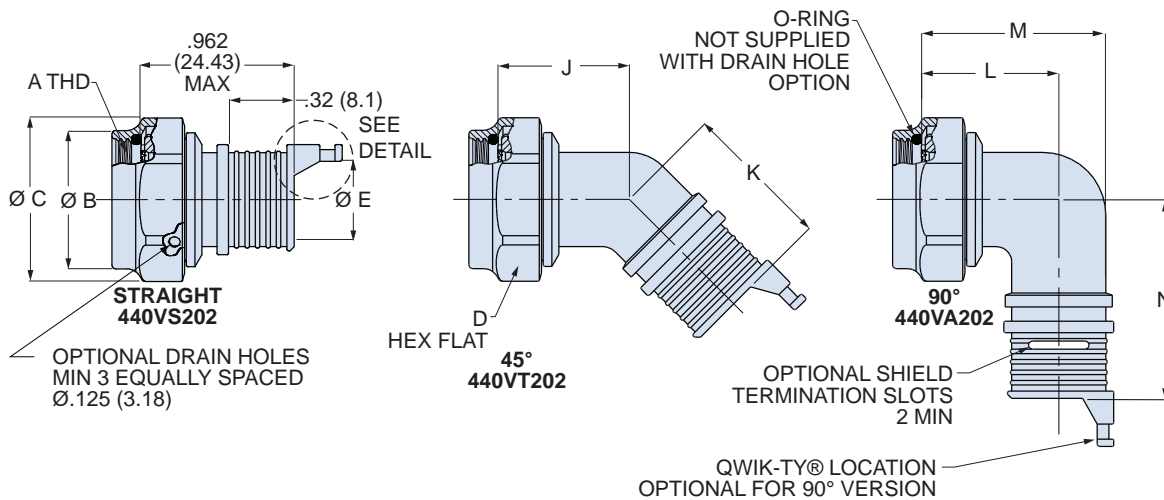
### Construction

- Adapter: high grade engineering thermoplastic with electroless nickel (code XM), nickel-PTFE (XMT) or olive drab cadmium (XW)
- Coupling nut: high grade engineering thermoplastic, no plating, black
- Anti-decoupling device: high grade engineering thermoplastic
- Shield termination strap: 300 series stainless steel, passivated

### Notes

- If drain holes are supplied, the O-ring is deleted.

How To Order																																							
SAMPLE PART NUMBER	<b>440VS202 XM 14 09</b>																																						
Product	<b>440VS202</b> = Straight Adapter <b>440VT202</b> = 45° Adapter <b>440VA202</b> = 90° Adapter																																						
Finish	<b>XM</b> = Electroless nickel <b>XMT</b> = Nickel/PTFE <b>XW</b> = Olive Drab Cadmium																																						
Shell Size	<b>08 09 10 11 12 14 16 18 20 22 24</b>																																						
Entry Code	<table border="1"> <thead> <tr> <th rowspan="2">Shell Size</th> <th rowspan="2">Entry Code</th> <th colspan="2">Diameter</th> </tr> <tr> <th>In.</th> <th>mm.</th> </tr> </thead> <tbody> <tr> <td>08, 09, 10, 11</td> <td><b>04</b></td> <td>.25</td> <td>6.4</td> </tr> <tr> <td>10, 11, 18</td> <td><b>05</b></td> <td>.31</td> <td>7.9</td> </tr> <tr> <td>12, 20</td> <td><b>07</b></td> <td>.44</td> <td>11.2</td> </tr> <tr> <td>14, 16, 22</td> <td><b>09</b></td> <td>.56</td> <td>14.2</td> </tr> <tr> <td>18, 24</td> <td><b>11</b></td> <td>.68</td> <td>17.3</td> </tr> <tr> <td>20</td> <td><b>13</b></td> <td>.81</td> <td>20.6</td> </tr> <tr> <td>22</td> <td><b>15</b></td> <td>.94</td> <td>23.9</td> </tr> <tr> <td>24</td> <td><b>16</b></td> <td>1.00</td> <td>25.4</td> </tr> </tbody> </table>	Shell Size	Entry Code	Diameter		In.	mm.	08, 09, 10, 11	<b>04</b>	.25	6.4	10, 11, 18	<b>05</b>	.31	7.9	12, 20	<b>07</b>	.44	11.2	14, 16, 22	<b>09</b>	.56	14.2	18, 24	<b>11</b>	.68	17.3	20	<b>13</b>	.81	20.6	22	<b>15</b>	.94	23.9	24	<b>16</b>	1.00	25.4
Shell Size	Entry Code			Diameter																																			
		In.	mm.																																				
08, 09, 10, 11	<b>04</b>	.25	6.4																																				
10, 11, 18	<b>05</b>	.31	7.9																																				
12, 20	<b>07</b>	.44	11.2																																				
14, 16, 22	<b>09</b>	.56	14.2																																				
18, 24	<b>11</b>	.68	17.3																																				
20	<b>13</b>	.81	20.6																																				
22	<b>15</b>	.94	23.9																																				
24	<b>16</b>	1.00	25.4																																				
Optional Drain Holes	<i>Omit for no drain holes.</i> <b>D</b> = Adapter supplied with coupling nut drain holes																																						
Optional Band Strap	<i>Omit for no band strap.</i> <b>B</b> = Adapter supplied with shield termination band																																						
Optional Shield Termination Slots	<i>Omit for unslotted version.</i> <b>S</b> = Adapter supplied with shield termination slots																																						

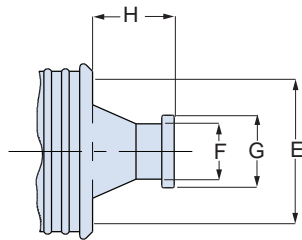


**Table 1 Dimensions**

Shell Size	Available Entry Codes	A ISO Metric Thread	ØB Max.		ØC Max.		D Hex		L ±.09 (2.3)		M ±.09 (2.3)		N Max.	
			In.	mm.	In.	mm.	In.	mm.	In.	mm.	In.	mm.	In.	mm.
08	04	M10 x 1.0-6H	.65	16.5	.86	21.8	.75	19.1	.69	17.5	.88	22.4	1.36	34.5
09	04	M12 x 1.0-6H	.65	16.5	.86	21.8	.75	19.1	.69	17.5	.88	22.4	1.36	34.5
10	04, 05	M14 x 1.0-6H	.77	19.5	.98	24.9	.88	22.2	.75	19.1	1.00	25.4	1.42	36.1
11	04, 05	M15 x 1.0-6H	.77	19.5	.98	24.9	.88	22.2	.75	19.1	1.00	25.4	1.42	36.1
12	07	M17 x 1.0-6H	.89	22.6	1.16	29.5	1.00	25.4	.81	20.6	1.13	28.7	1.48	37.6
14	09	M19 x 1.0-6H	1.03	26.2	1.28	32.5	1.13	28.6	.88	22.4	1.13	28.7	1.48	37.6
16	09	M22 x 1.0-6H	1.03	26.2	1.28	32.5	1.13	28.6	.88	22.4	1.31	33.3	1.55	39.4
18	05, 11	M25 x 1.0-6H	1.15	29.2	1.41	35.8	1.25	31.8	.94	23.9	1.38	35.1	1.61	40.9
20	07, 13	M28 x 1.0-6H	1.28	32.5	1.52	38.6	1.38	34.9	.97	24.6	1.44	36.6	1.64	41.7
22	09, 15	M31 x 1.0-6H	1.41	35.8	1.64	41.7	1.50	38.1	1.06	26.9	1.63	41.4	1.73	43.9
24	11, 15	M34 x 1.0-6H	1.53	38.9	1.77	45.0	1.63	41.3	1.13	28.7	1.75	44.5	1.80	45.7

**Table 2 Entry Codes and Qwik-Ty Dimensions**

Entry Code	ØE ±.03 (0.8)		F		G		H		J ±.06 (1.5)		K ±.09 (2.3)	
	In.	mm.	In.	mm.	In.	mm.	In.	mm.	In.	mm.	In.	mm.
04	.25	6.4	.187	4.74	.312	7.92	.512	13.0	.72	18.3	.87	22.1
05	.31	7.9	.187	4.74	.312	7.92	.512	13.0	.75	19.1	.93	23.6
07	.44	11.2	.187	4.74	.312	7.92	.512	13.0	.75	19.1	1.00	25.4
09	.56	14.2	.219	5.56	.375	9.53	.630	16.0	.76	19.3	1.03	26.2
11	.68	17.3	.219	5.56	.375	9.53	.630	16.0	.78	19.8	1.05	26.7
13	.81	20.6	.219	5.56	.375	9.53	.630	16.0	.79	20.1	1.06	26.9
15	.94	23.9	.219	5.56	.375	9.53	.630	16.0	.82	20.8	1.09	27.7
16	1.00	25.4	.219	5.56	.375	9.53	.630	16.0	.86	21.8	1.13	28.7



QWIK-TY® DETAIL AND ENTRY DIAMETER