

Series 806

Mighty Mouse Mil-Aero Connectors

457-048 Composite EMI/RFI Qwik-Ty® Strain Relief



Low profile. Light weight. Band-Master ATS® shield termination. Self-locking.

Next-generation Qwik-Ty® features high strength composite construction plus EMI shielding. Available in straight, 45° or 90° versions. Terminate cable shield to plated brass shield termination adapter using Band-Master ATS® strap and hand tool. Attach wire bundle to arm with MS3367-type nylon tie strap (not supplied). Optional rubber pad provides wire cushioning. Slots in shield adapter accept individual shields.

Specifications

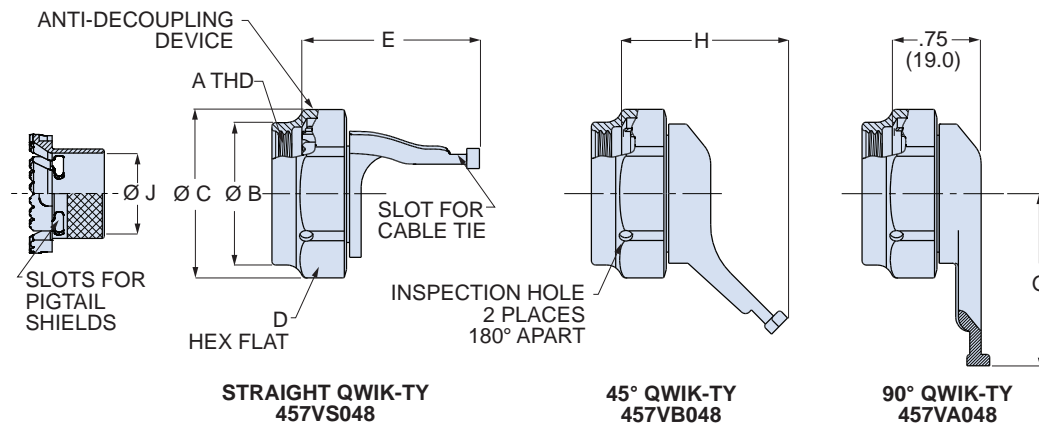
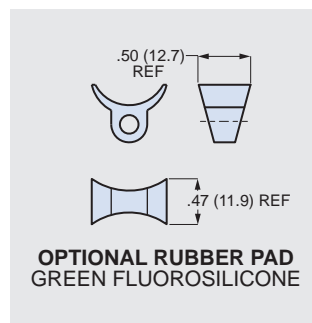
- Operating temperature: -65° to +200°C (Finish code BN is +175°C)
- Salt spray (corrosion): 2000 hours

Construction

- Drop-in EMI adapter: brass, see ordering info for finish options
- Coupling nut, Qwik-Ty body: high grade engineering thermoplastic, no plating, black
- Anti-decoupling device: high grade engineering thermoplastic
- Shield termination strap: 300 series stainless steel, passivated (not supplied)
- Pad: green fluorosilicone

How To Order

SAMPLE PART NUMBER		457VS048	BM	16
Product		457VS048 = Straight 457VB048 = 45° 457VA048 = 90°		
Finish		BM = Electroless nickel BMT = Nickel/PTFE BN = Olive drab cadmium BZR = Black zinc-nickel		
Shell Size		09 10 11 12 14 16 18 20 22 24		
Optional Rubber Pad		Omit for no rubber pad. P = Supplied with rubber pad (687-038)		



Band Strap

Band strap is purchased separately.



Micro Band Strap Hand Tool

601-101

Micro Band Ordering Information

Length		Part Number	Max Diameter	
in.	mm.		in.	mm.
5.0	127	601-025	.50	12.7
8.0	203	601-061	.88	22.4
14.0	356	601-065	1.88	47.8

Dimensions

Shell Size	A ISO Metric Thread	øB Max.		øC Max.		D Hex		E Max.		G Max.		H Max.		J	
		In.	mm.	In.	mm.	In.	mm.	In.	mm.	In.	mm.	In.	mm.		
09	M12 x 1.0-6H	.65	16.5	.86	21.8	.75	19.1	1.28	32.5	1.22	31.0	1.14	29.0	.178	4.5
10	M14 x 1.0-6H	.77	19.5	.98	24.9	.88	22.2	1.28	32.5	1.29	32.8	1.14	29.0	.295	7.5
11	M15 x 1.0-6H	.77	19.5	.98	24.9	.88	22.2	1.28	32.5	1.29	32.8	1.14	29.0	.305	7.7
12	M17 x 1.0-6H	.89	22.6	1.16	29.5	1.00	25.4	1.44	36.6	1.62	41.1	1.14	29.0	.394	10.0
14	M19 x 1.0-6H	1.03	26.2	1.28	32.5	1.13	28.6	1.51	38.4	1.66	42.2	1.64	41.7	.472	12.0
16	M22 x 1.0-6H	1.03	26.2	1.28	32.5	1.13	28.6	1.51	38.4	1.66	42.2	1.64	41.7	.565	14.4
18	M25 x 1.0-6H	1.15	29.2	1.41	35.8	1.25	31.8	1.51	38.4	1.72	43.7	1.64	41.7	.658	16.7
20	M28 x 1.0-6H	1.28	32.5	1.52	38.6	1.38	34.9	1.57	39.9	1.72	43.7	1.74	44.2	.777	19.7
22	M31 x 1.0-6H	1.41	35.8	1.64	41.7	1.50	38.1	1.71	43.4	1.79	45.5	1.74	44.2	.873	22.2
24	M34 x 1.0-6H	1.53	38.9	1.77	45.0	1.63	41.3	1.83	46.5	1.85	47.0	1.74	44.2	.997	25.3