



Strain relief clamp with anti-decoupling ratchet prevents loosening under vibration. Full radius saddle clamps prevent pinching of cables. Fits Series 806 connectors. Straight, 45° or 90° cable exit.

How To Order			
SAMPLE PART NUMBER	620VS080	MT	08
Product	620VS080 = Straight Strain Relief 620VB080 = 45° Strain Relief 620VA080 = 90° Strain Relief		
Material/ Finish	ME = Aluminum, Electroless Nickel MT = Aluminum, Ni/PTFE ZR = Aluminum, Black Zinc-Nickel NF = Aluminum, Olive Drab Cadmium Z1 = Stainless Steel, Passivated		
Shell Size	08 09 10 11 12 14 16 18 20 22 24		

Features

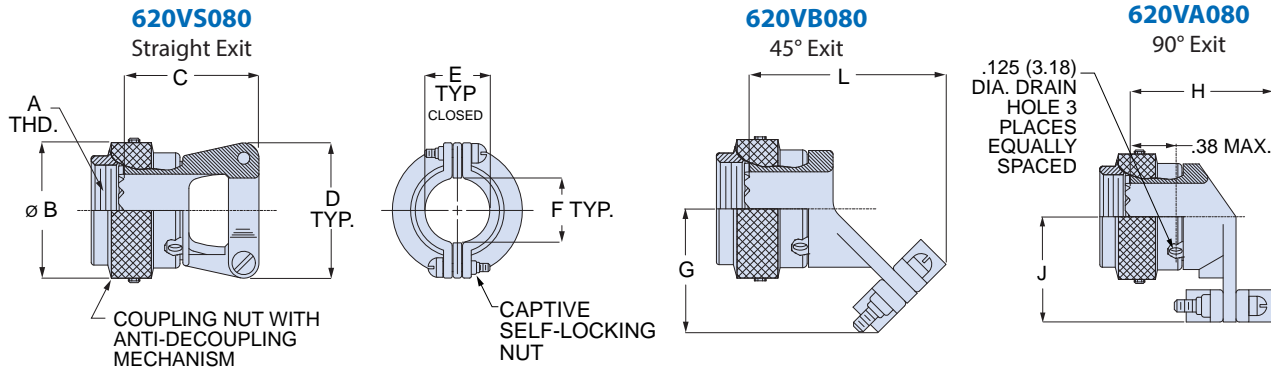
- Straight, 45° and 90°
- Self-locking spin coupling
- Fits Series 806 ultraminiature connectors
- Captive threaded inserts

Specifications

- Operating temperature: codes ME, MT and Z1: -65°C to +200°C
codes ZR, NF, NFP: -65°C to +175°C
- Salt spray (corrosion)
Code ME: 96 hours
Code NF, ZR, MT, Z1: 1000 hours
- Vibration, shock: SAE AS85049 Category 4C

Construction

- Clamp, body, saddles, coupling nut: aluminum alloy or 300 series stainless steel. See material/finish options in How to Order table for options.
- Hardware: 300 series stainless steel
- Anti-decoupling device: corrosion-resistant material



Shell Size	A ISO Metric Thread	øB Max.		C Max.		D Max.		E ±.031 (0.79)		F Min.		G Max.		H Max.		J Max.		L Max.	
		In.	mm.	In.	mm.	In.	mm.	In.	mm.	In.	mm.	In.	mm.	In.	mm.	In.	mm.	In.	mm.
08	M10 x 1.0-6H	.642	16.31	.710	18.03	.93	23.3	.205	5.21	.18	4.6	.891	22.63	1.04	26.42	.87	22.10	1.30	33.02
09	M12 x 1.0-6H	.735	18.67	.840	21.34	.98	24.9	.219	5.56	.22	5.6	.901	22.89	1.06	26.92	.91	23.11	1.32	33.53
10	M14 x 1.0-6H	.786	19.96	.900	22.86	1.02	25.9	.244	6.20	.25	6.4	.945	24.00	1.08	27.43	.95	24.13	1.35	34.29
11	M15 x 1.0-6H	.830	21.08	.960	24.38	1.05	26.7	.264	6.71	.27	6.9	.964	24.49	1.10	27.94	.97	24.64	1.36	34.54
12	M17 x 1.0-6H	.911	23.14	1.060	26.92	1.12	28.5	.312	7.92	.32	8.1	1.030	26.16	1.15	29.21	1.03	26.16	1.41	35.81
14	M19 x 1.0-6H	1.002	25.45	1.100	27.94	1.20	30.5	.344	8.74	.35	8.9	1.050	26.67	1.18	29.97	1.06	26.92	1.43	36.32
16	M22 x 1.0-6H	1.149	29.18	1.100	27.94	1.30	33.0	.460	11.68	.47	11.9	1.112	28.24	1.30	33.02	1.16	29.46	1.48	37.59
18	M25 x 1.0-6H	1.264	32.11	1.230	31.24	1.44	36.6	.545	13.84	.55	14.0	1.175	29.85	1.38	35.05	1.34	34.04	1.58	40.13
20	M28 x 1.0-6H	1.394	35.41	1.410	35.81	1.56	39.6	.615	15.62	.62	15.7	1.230	31.24	1.46	37.08	1.41	35.81	1.70	43.18
22	M31 x 1.0-6H	1.513	38.43	1.510	38.35	1.69	42.9	.698	17.73	.70	17.8	1.293	32.84	1.58	40.13	1.53	38.86	1.74	44.20
24	M34 x 1.0-6H	1.631	41.43	1.660	42.16	1.77	45.0	.780	19.81	.78	19.8	1.365	34.67	1.62	41.15	1.66	42.16	1.79	45.47