



**Lightweight. Straight, 45° or 90°. Composite. Self-Locking.** Spin coupling backshell with full radius cable clamp provides protection for open wire bundles or jacketed cable. Compatible with Glenair Series 806 ultraminiature circular connectors.

| How To Order       |  |    |    |
|--------------------|--|----|----|
| SAMPLE PART NUMBER | 620VS081   |    |    |
|                    |  | XM | 12 |
| Product            | 620VS081 = Cable Clamp, Straight<br>620VB081 = Cable Clamp, 45°<br>620VA081 = Cable Clamp, 90°   |    |    |
| Adapter Finish     | XB = Unplated (black)<br>XM = Electroless nickel<br>XMT = Nickel/PTFE<br>XW = Olive Drab Cadmium<br>XZN = Zinc nickel (black)<br>Coupling nut and saddle clamps are unplated black thermoplastic |    |    |
| Shell Size         | 08 09 10 11 12 14 16 18 20 22 24   |    |    |

**Features**

- Corrosion resistant high strength engineering thermoplastic
- Self-locking spin coupling
- Non-environmental

**Specifications**

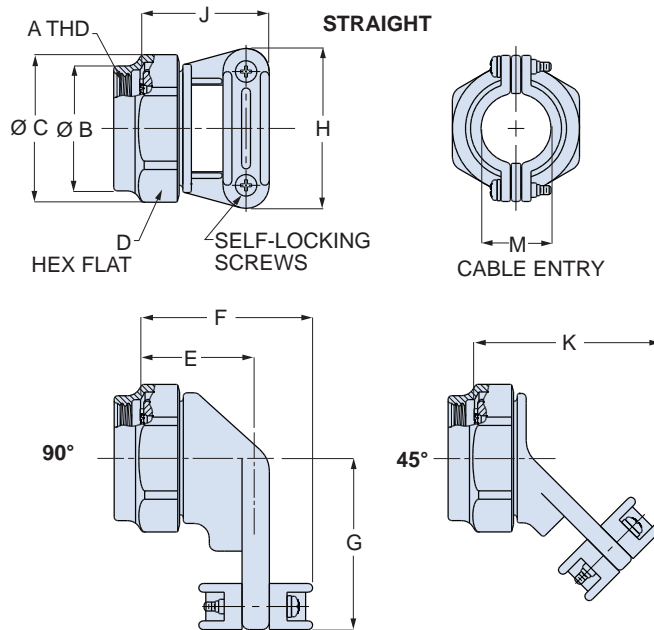
- Operating temperature: codes XB, XM, XMT: -65°C to +200°C  
codes XZN, XW: -65°C to +175°C
- Salt spray (corrosion): 2000 hours
- Vibration: SAE AS85049 Category 4C
- Shock: SAE AS85049 Category 4C

**Construction**

- Adapter: high grade engineering thermoplastic. See How to Order for finish options
- Coupling nut, saddle clamps: high grade engineering thermoplastic, no plating, black
- Hardware: stainless steel, passivated
- Anti-Rotation Device: high grade engineering thermoplastic

**Notes**

- Cable entry is measured with the saddle clamps closed and bottomed on clamp ears.



| Shell Size | A<br>ISO Metric Thread | øB Max. |      | øC Max. |      | D Hex |      | E Ref. |      | F    |      | G    |      | H    |      | J    |      | K Max. |      | M    |      |
|------------|------------------------|---------|------|---------|------|-------|------|--------|------|------|------|------|------|------|------|------|------|--------|------|------|------|
|            |                        | In.     | mm.  | In.     | mm.  | In.   | mm.  | In.    | mm.  | In.  | mm.  | In.  | mm.  | In.  | mm.  | In.  | mm.  | In.    | mm.  | In.  | mm.  |
| 08         | M10 x 1.0-6H           | .65     | 16.5 | .86     | 21.8 | .75   | 19.1 | .63    | 16.0 | .86  | 21.8 | .88  | 22.4 | .88  | 22.4 | .80  | 20.3 | 1.32   | 33.5 | .218 | 5.5  |
| 09         | M12 x 1.0-6H           | .65     | 16.5 | .86     | 21.8 | .75   | 19.1 | .63    | 16.0 | .86  | 21.8 | .88  | 22.4 | .88  | 22.4 | .80  | 20.3 | 1.32   | 33.5 | .218 | 5.5  |
| 10         | M14 x 1.0-6H           | .77     | 19.5 | .98     | 24.9 | .88   | 22.2 | .65    | 16.5 | .91  | 23.1 | .94  | 23.9 | .94  | 23.9 | .88  | 22.4 | 1.35   | 34.3 | .264 | 6.7  |
| 11         | M15 x 1.0-6H           | .77     | 19.5 | .98     | 24.9 | .88   | 22.2 | .65    | 16.5 | .91  | 23.1 | .94  | 23.9 | .94  | 23.9 | .88  | 22.4 | 1.35   | 34.3 | .264 | 6.7  |
| 12         | M17 x 1.0-6H           | .89     | 22.6 | 1.16    | 29.5 | 1.00  | 25.4 | .71    | 18.0 | 1.02 | 25.9 | 1.03 | 26.2 | 1.17 | 29.7 | 1.00 | 25.4 | 1.43   | 36.3 | .345 | 8.8  |
| 14         | M19 x 1.0-6H           | 1.03    | 26.2 | 1.28    | 32.5 | 1.13  | 28.6 | .76    | 19.3 | 1.13 | 28.7 | 1.13 | 28.7 | 1.28 | 32.5 | 1.00 | 25.4 | 1.48   | 37.6 | .461 | 11.7 |
| 16         | M22 x 1.0-6H           | 1.03    | 26.2 | 1.28    | 32.5 | 1.13  | 28.6 | .76    | 19.3 | 1.13 | 28.7 | 1.13 | 28.7 | 1.28 | 32.5 | 1.00 | 25.4 | 1.48   | 37.6 | .461 | 11.7 |
| 18         | M25 x 1.0-6H           | 1.15    | 29.2 | 1.41    | 35.8 | 1.25  | 31.8 | .80    | 20.3 | 1.26 | 32.0 | 1.31 | 33.3 | 1.41 | 35.8 | 1.13 | 28.7 | 1.58   | 40.1 | .544 | 13.8 |
| 20         | M28 x 1.0-6H           | 1.28    | 32.5 | 1.52    | 38.6 | 1.38  | 34.9 | .83    | 21.1 | 1.31 | 33.3 | 1.38 | 35.1 | 1.50 | 38.1 | 1.19 | 30.2 | 1.70   | 43.2 | .614 | 15.6 |
| 22         | M31 x 1.0-6H           | 1.41    | 35.8 | 1.64    | 41.7 | 1.50  | 38.1 | .90    | 22.9 | 1.37 | 34.8 | 1.50 | 38.1 | 1.56 | 39.6 | 1.25 | 31.8 | 1.74   | 44.2 | .697 | 17.7 |
| 24         | M34 x 1.0-6H           | 1.53    | 38.9 | 1.77    | 45.0 | 1.63  | 41.3 | .94    | 23.9 | 1.45 | 36.8 | 1.63 | 41.4 | 1.69 | 42.9 | 1.38 | 35.1 | 1.79   | 45.5 | .780 | 19.8 |