



**Drop-In EMI Adapter**

Terminate cable braid shield to adapter with Band-Master ATS® strap. Slots in adapter are used for individual shield pigtails.



**Straight, 45° or 90°**

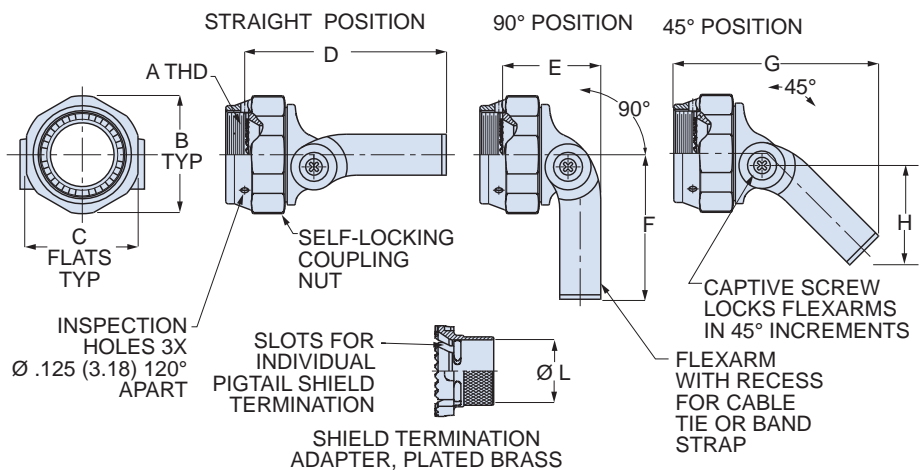
Loosen screws and re-position flex arms for optimum wire routing.

**Construction**

- Body, Coupling Nut, Flex Arms: high grade engineering thermoplastic, black
- Hardware: stainless steel, passivated
- Anti-Rotation Device: high grade engineering thermoplastic

**Lightweight. Low Profile. Composite. Self-Locking. EMI.** Flexible strain relief adjusts to various wire bundle sizes. Attach cable ties or band to flex arms for strain relief. Terminate cable shields to plated brass EMI adapter with Band-Master ATS® banding strap. Straight, 45° or 90° cable exit. Composite thermoplastic body, coupling nut and flex arms. Compatible with Glenair Series 806 ultraminiature circular connectors.

How To Order			
Shell Size	Shield Termination Adapter Finish		
	Electroless Nickel Code BM	Nickel-PTFE Code BMT	Olive Drab Cadmium Code BN
8		Not Available	
9	627V234BM09	627V234BMT09	627V234BN09
10	627V234BM10	627V234BMT10	627V234BN10
11	627V234BM11	627V234BMT11	627V234BN11
12	627V234BM12	627V234BMT12	627V234BN12
14	627V234BM14	627V234BMT14	627V234BN14
16	627V234BM16	627V234BMT16	627V234BN16
18	627V234BM18	627V234BMT18	627V234BN18
20	627V234BM20	627V234BMT20	627V234BN20
22	627V234BM22	627V234BMT22	627V234BN22
24	627V234BM24	627V234BMT24	627V234BN24



Shell Size	A ISO Metric Thread	øB Max.		C Max.		D Max.		E Max.		F Max.		G Max.		H Max.		ø L	
		In.	mm.	In.	mm.	In.	mm.	In.	mm.	In.	mm.	In.	mm.	In.	mm.		
9	M12 x 1.0-6H	.812	20.62	.750	19.05	1.77	44.96	.73	18.54	1.09	27.69	.73	18.54	1.08	27.43	.178	4.5
10	M14 x 1.0-6H	.938	23.83	.875	22.23	1.77	44.96	.73	18.54	1.12	28.45	.70	17.78	1.11	28.19	.295	7.5
11	M15 x 1.0-6H	.938	23.83	.875	22.23	1.77	44.96	.73	18.54	1.12	28.45	.70	17.78	1.11	28.19	.305	7.7
12	M17 x 1.0-6H	1.125	26.58	1.000	25.40	2.05	52.07	.84	21.34	1.41	35.81	.81	20.57	1.34	28.23	.394	10.0
14	M19 x 1.0-6H	1.125	26.58	1.000	25.40	2.05	52.07	.84	21.34	1.41	35.81	.81	20.57	1.34	28.23	.472	12.0
16	M22 x 1.0-6H	1.250	31.75	1.125	28.58	2.05	52.07	.84	21.34	1.47	37.34	.75	19.05	1.42	36.07	.565	14.4
18	M25 x 1.0-6H	1.375	34.93	1.250	31.75	2.26	57.40	.94	23.88	1.65	41.91	.88	22.35	1.54	39.12	.658	16.7
20	M28 x 1.0-6H	1.500	38.10	1.375	34.93	2.26	57.40	.94	23.88	1.71	43.43	.81	20.57	1.63	41.40	.777	19.7
22	M31 x 1.0-6H	1.625	41.28	1.500	38.10	2.72	69.09	1.04	26.42	2.09	53.09	.94	23.88	1.97	50.04	.873	22.2
24	M34x 1.0-6H	1.750	44.45	1.625	41.28	2.72	69.09	1.04	26.42	2.13	54.10	.90	22.86	2.02	51.31	.997	25.3