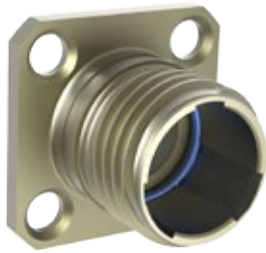


**Dummy Stowage Receptacles**

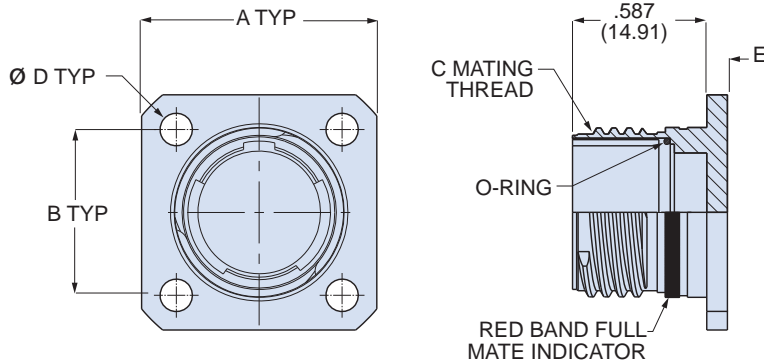
Dummy stowage receptacles secure plug ends of cables during maintenance and storage. Mates with Series 806 plug connectors. Universal keying. O-ring provides environmental seal. Aluminum or stainless steel.



**Construction**

- Shell: aluminum alloy or stainless steel. See How to Order table for finish options
- O-ring: fluorosilicone

How To Order			
SAMPLE PART NUMBER		<b>650-088</b>	<b>ME</b>
Product		<b>12</b>	
Finish	Material	650-088 = Stowage receptacle for Series 806 plugs	
		Aluminum	Code
		Electroless Nickel	<b>ME</b>
		Nickel-PTFE	<b>MT</b>
		Olive Drab Cadmium	<b>NF</b>
	Black Zinc-Nickel	<b>ZR</b>	
	Stainless Steel	Passivate	<b>Z1</b>
		Nickel	<b>ZL</b>
Shell Size		<b>8 9 10 11 12 14 16 18 20 22 24</b>	



650-088 Dummy Receptacle Dimensions									
Shell Size	A Max		B		C Thread	øD		E Max	
	In.	mm.	In.	mm.		In.	mm.	In.	mm.
<b>8</b>	.822	20.88	.531	13.49	.5000-.067P-2L-TS-2A	.128	3.25	.100	2.54
<b>9</b>	.885	22.48	.594	15.09	.5625-.067P-2L-TS-2A	.128	3.25	.100	2.54
<b>10</b>	.913	23.19	.625	15.88	.6250-.067P-2L-TS-2A	.128	3.25	.100	2.54
<b>11</b>	.944	23.98	.670	17.02	.6875-.067P-2L-TS-2A	.128	3.25	.100	2.54
<b>12</b>	1.040	26.42	.765	19.43	.7500-.067P-2L-TS-2A	.128	3.25	.100	2.54
<b>14</b>	1.133	28.78	.859	21.82	.8750-.067P-2L-TS-2A	.128	3.25	.100	2.54
<b>16</b>	1.227	31.17	.938	23.83	1.0000-.067P-2L-TS-2A	.128	3.25	.100	2.54
<b>18</b>	1.320	33.53	1.016	25.81	1.1250-.067P-2L-TS-2A	.128	3.25	.100	2.54
<b>20</b>	1.444	36.68	1.109	28.17	1.2500-.067P-2L-TS-2A	.154	3.91	.125	3.18
<b>22</b>	1.570	39.88	1.203	30.56	1.3750-.067P-2L-TS-2A	.154	3.91	.125	3.18
<b>24</b>	1.696	43.08	1.312	33.32	1.5000-.067P-2L-TS-2A	.154	3.91	.125	3.18