

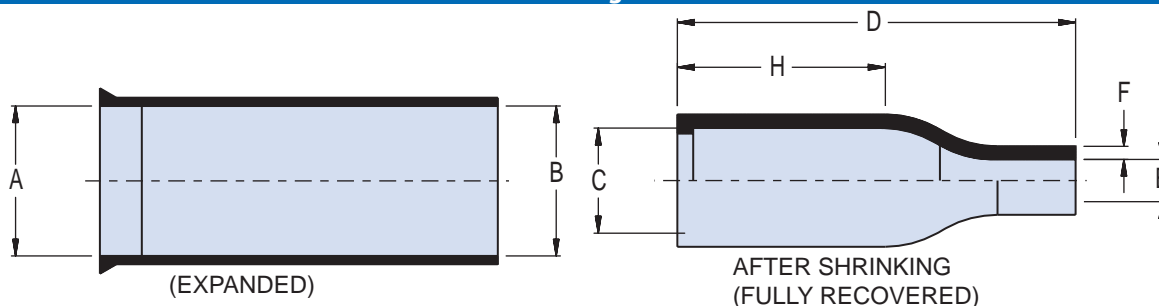
Protect Your Cable Harness with heat-shrinkable boots. These easy-to-use boots provide excellent electrical, mechanical and environmental protection. Heating the boot causes the boot to shrink onto the connector and cable. An adhesive lining bonds the boot to the connector and cable and fills small gaps for a complete seal. These lipped boots attach directly to Series 806 connectors with integral band platform.

Shrink boot installation guide and application instructions are available in the Series 77 Shrink Boot catalog or on the Glenair website.

(www.glenair.com/environmental_shrink_boots/index.htm)

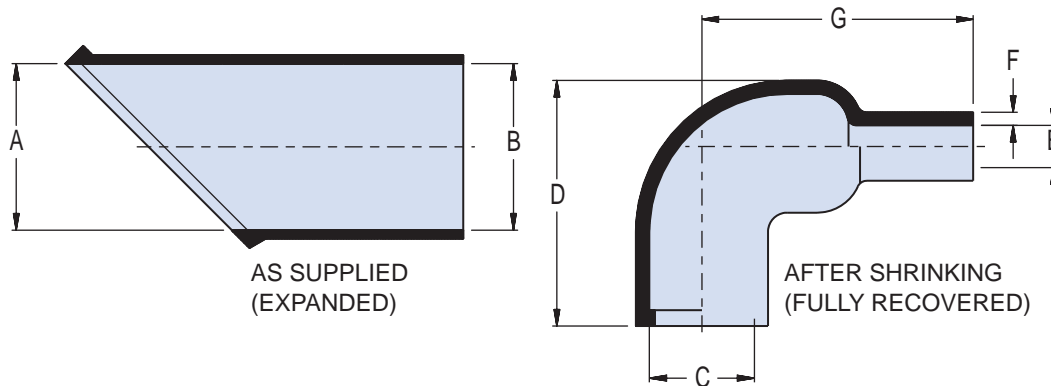
How To Order				
SAMPLE PART NUMBER		809S060	-3	HR
Product	809A060 = 90° boot 809B060 = 45° boot 809S060 = straight boot 809SL060 = straight boot, extended length			
	Boot Size (See Dimension Tables)	1 2 3 4 5 6		
Material and Adhesive Code (material and adhesive information follows dimension tables)	Boot Material	No Adhesive	Pre-coated with Adhesive	
	Standard Type 1 Fluid-Resistant Elastomer	U	Hot Melt Polyamide (W1)	High Performance Epoxy (R)
	Low Smoke/Zero Halogen Type 2 Elastomer	HU	H	HR

809S060 Straight Boots



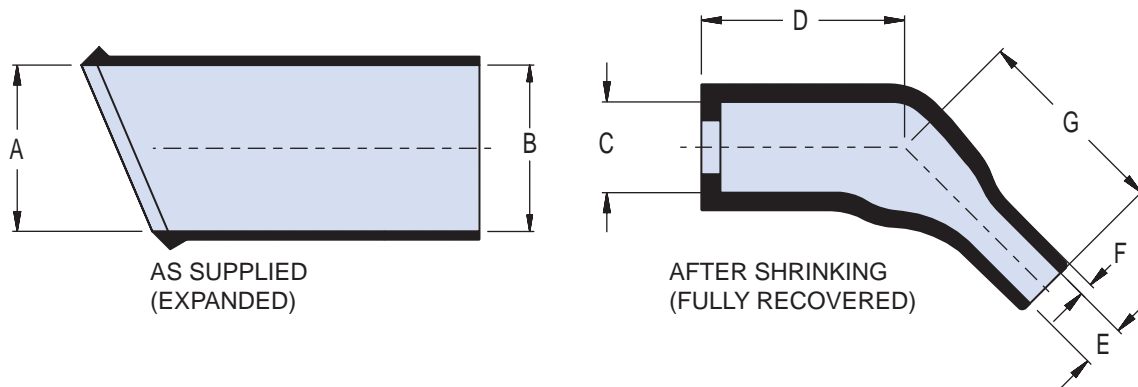
Boot Size	A Min.		B Min.		C Max.		D Ref.		E Max.		F Ref.		H Ref.		Cable Range			
	In.	mm.	In.	mm.	In.	mm.	In.	mm.	In.	mm.	In.	mm.	In.	mm.	Maximum In.	Maximum mm.	Minimum In.	Minimum mm.
1	.390	9.91	.390	9.91	.260	6.60	1.370	34.80	.080	2.03	.030	0.76	.750	19.05	.230	5.84	.100	2.54
2	.669	16.99	.669	16.99	.300	7.62	1.500	38.10	.140	3.56	.032	0.81	.750	19.05	.500	12.70	.170	4.32
3	.945	24.00	.945	24.00	.390	9.91	1.500	38.10	.200	5.08	.035	0.89	.750	19.05	.800	20.32	.240	6.10
4	1.181	30.00	1.181	30.00	.550	13.97	2.170	55.12	.240	6.10	.039	0.99	1.180	29.97	1.020	25.91	.280	7.11
5	1.260	32.00	1.260	32.00	.710	18.03	2.640	67.06	.280	7.11	.039	0.99	1.300	33.02	1.120	28.45	.300	7.62
6	1.417	35.99	1.417	35.99	.900	22.86	3.150	80.01	.330	8.38	.047	1.19	1.570	39.88	1.200	30.48	.350	8.89

809A060 90° Boots



Boot Size	A Min.		B Min.		C Max.		D Ref.		E Max.		F Ref.		G Ref.		Cable Range			
	In.	mm.	In.	mm.	In.	mm.	In.	mm.	In.	mm.	In.	mm.	In.	mm.	Maximum In.	Maximum mm.	Minimum In.	Minimum mm.
1	.390	9.91	.390	9.91	.260	6.60	.790	20.07	.095	2.41	.032	0.81	.750	19.05	.230	5.84	.100	2.54
2	.669	16.99	.669	16.99	.310	7.87	.790	20.07	.140	3.56	.032	0.81	.790	20.07	.500	12.70	.170	4.32
3	.945	24.00	.945	24.00	.390	9.91	.980	24.89	.200	5.08	.040	1.02	.980	24.89	.800	20.32	.240	6.10
4	1.181	30.00	1.181	30.00	.530	13.46	1.060	26.92	.220	5.59	.046	1.17	1.260	32.00	1.020	25.91	.270	6.86
5	1.260	32.00	1.260	32.00	.710	18.03	1.260	32.00	.280	7.11	.052	1.32	1.540	39.12	1.120	28.45	.300	7.62
6	1.417	35.99	1.417	35.99	.900	22.86	1.500	38.10	.330	8.38	.052	1.32	1.930	49.02	1.200	30.48	.350	8.89

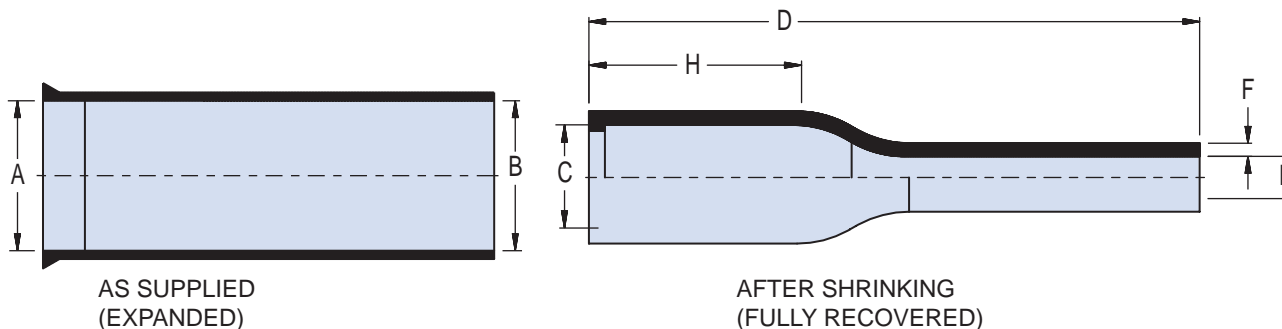
809B060 45° Boots



Boot Size	A Min.		B Min.		C Max.		D Ref.		E Max.		F Ref.		G Ref.		Cable Range			
	In.	mm.	In.	mm.	In.	mm.	In.	mm.	In.	mm.	In.	mm.	In.	mm.	Maximum In.	Maximum mm.	Minimum In.	Minimum mm.
1	.390	9.9	.390	9.9	.260	6.60	.600	15.24	.080	2.03	.030	0.76	.560	14.22	.230	5.84	.100	2.54
2	.669	17.0	.669	17.0	.300	7.62	.640	16.26	.140	3.56	.035	0.89	.620	15.75	.500	12.70	.170	4.32
3	.945	24.0	.945	24.0	.390	9.91	.500	12.7	.160	4.06	.040	1.02	.750	19.05	.800	20.32	.240	6.10
4	1.181	30.0	1.181	30.0	.550	13.97	.748	19.00	.230	5.84	.043	1.09	1.180	29.97	1.020	25.91	.280	7.11
5	1.260	32.0	1.260	32.0	.710	18.03	.984	24.99	.280	7.11	.065	1.65	1.380	35.05	1.120	28.45	.300	7.62
6	1.417	35.99	1.417	35.99	.900	22.86	1.260	32.00	.330	8.38	.065	1.65	1.570	39.88	1.200	30.48	.350	8.89



809SL060 Straight Long Tail Boots



Boot Size	A Min.		B Min.		C Max.		D Ref		E Max.		F Ref.		H Ref.		Cable Range			
	In.	mm.	In.	mm.	In.	mm.	In.	mm.	In.	mm.	In.	mm.	In.	mm.	Maximum In.	Maximum mm.	Minimum In.	Minimum mm.
1	.390	9.9	.390	9.9	.280	7.11	2.500	63.50	.080	2.03	.045	1.14	.750	19.05	.230	5.84	.100	2.54
2	.669	17.0	.669	17.0	.310	7.87	2.500	63.50	.140	3.56	.045	1.14	.750	19.05	.500	12.70	.170	4.32
3	.945	24.0	.945	24.0	.390	9.91	2.500	63.50	.200	5.08	.045	1.14	.750	19.05	.800	20.32	.240	6.10
4	1.181	30.0	1.181	30.0	.550	13.97	3.000	76.20	.240	6.10	.045	1.14	1.180	29.97	1.020	25.91	.280	7.11

Boot Material Information

Type 1 High Performance Elastomer

Semi-rigid high performance boots combine excellent resistance to fuels, oils and solvents with superior performance at extreme temperatures. Material meets the requirements of VG95343 Type 6, BSG 198-5-DE, EN62329-102 and SAE AS5258 Type H. These boots are ideal for demanding applications such as military vehicles and petrochemical exploration.

Type 2 Zero halogen

Halogen-free polyolefin boots meet low smoke and toxicity requirements of shipboard, transit and aircraft systems. These Low Smoke/Zero Halogen (LSZH) boots meet the requirements of NAVSEA 5617649, VG95343 Part 29, BSG 198-5-DF, EN62329-101 and SAE AS5258 Type G. Resistance to oils, fuels and solvents.

Shrink Boot Typical Material Properties

Property	Type 1 High Performance Elastomer	Type 2 Zero Halogen Polyolefin
Flexibility	Semi-rigid	Semi-flexible
Operating Temperature Range	-75°C to +165°C	-40°C to +130°C
Shrink Temperature (min.)	135°C	135°C
Tensile Strength (psi)	1700	1100
Elongation (% min.)	400	250
Long Term Heat Aging	3000 hrs, 150°C	3000 hrs, 135°C
Heat Shock	4 hrs, 215°C	4 hrs, 215°C
Heat Aging	168 hrs, 160°C	168 hrs, 160°C
Dielectric Strength (V/mil)	300	380
Volume Resistivity (ohms-cm)	10 ¹³	10 ¹²
Water Absorption (%)	0.5	0.5
Flammability	Burn Time <15 sec	Burn Length <25mm
RoHS Compliant	Yes	Yes
Oxygen Index (% min.)	N/A	30
Temperature Index (OC)	N/A	250
Smoke Index (max.)	N/A	20
Toxicity Index (max.)	N/A	3
Lubricating Oil Resistance	Very Good	Good
Hydraulic Fluid Resistance	Very Good	Good
Aviation Fuel Resistance	Very Good	Good
Gasoline Resistance	Very Good	Fair
De-icing Fluid Resistance	Excellent	Very Good
Automotive Diesel Resistance	Good	Fair

Pre-Coat Adhesive Properties

Attribute	W1 Standard Polyamide Hot Melt Adhesive	R High Performance Epoxy Pre-coat
Continuous Operating Temp.	-55° to +125°C	-75° to +150°C
Resistance to Fuels, Oils & Fluids	Good	
Low Toxicity, Zero Halogen	Yes	
IEC 62329-2 Dynamic Shear, 23°C	300N	300N
IEC 62329-2 Dynamic Shear, 100°C	30N	110N
IEC 62329-2 Dynamic Shear, 150°C	(not rated)	30N
IEC 62329-2 Heat Shock, 4 hrs., 215°C	Peel adhesion > 60N/25mm Dynamic shear > 300N	
IEC 62329-2 Heat Aging, 168 hrs., 160°C	Peel adhesion > 60N/25mm Dynamic shear > 300N	
IEC 62329-2 Peel Adhesion	>60N/25mm	
IEC 62329-2 Fluid Resistance Lubricating Oil 0-156 Aircraft Grease G-354 Hydraulic Fluid H-520 Water Turbine Fuel F-34	24 hrs. immersion @ 70°C Dynamic shear > 150N	