

Series 806

Mighty Mouse Mil-Aero Connectors

Protective Covers 667-440, 667-441 and 667-443



Figure 1
667-440 Receptacle Cover

Figure 2
667-441 Plug Cover

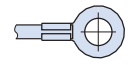
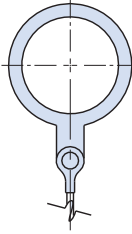
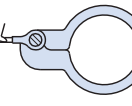
Figure 3
667-443 Self-Locking Receptacle Cover

Protect unmated Series 806 connectors with thread-on covers. IP68 ingress protection. Aluminum, stainless steel or composite material. Self-locking receptacle cover features anti-decoupling mechanism for resistance to loosening under vibration.

Construction

- Cover: aluminum alloy, high grade engineering thermoplastic or stainless steel. See ordering info for finish options
- O-ring, gasket: fluorosilicone
- Hardware: stainless steel, passivated
- Lanyard: see Table 1


Table 2 Ring Codes

| Ring Type | Ring Code | Inside Diameter | |
|--|---|-----------------|-------|
| | | In. | mm. |
| No Ring | 00 | — | — |
|  Ring Terminal | 04 | .126 | 3.20 |
| | 06 | .145 | 3.68 |
| | 08 | .188 | 4.78 |
| | 10 | .197 | 5.00 |
| | 12 | .423 | 10.74 |
| | 14 | .481 | 12.22 |
| | 16 | .560 | 14.22 |
| | 18 | .600 | 15.24 |
| | 20 | .635 | 16.13 |
| | 22 | .695 | 17.65 |
|  Solid Ring | 24 | .715 | 18.16 |
| | 26 | .766 | 19.46 |
| | 28 | .845 | 21.46 |
| | 30 | .885 | 22.48 |
| | 32 | .950 | 24.13 |
| | 34 | 1.015 | 25.78 |
| | 36 | 1.070 | 27.18 |
| | 38 | 1.135 | 28.83 |
| | 40 | 1.210 | 30.73 |
| | 42 | 1.275 | 32.39 |
| | 44 | 1.380 | 35.05 |
| | 46 | 1.470 | 37.34 |
| | 48 | 1.625 | 41.28 |
| |  Split Ring | 50 | .432 |
| 52 | | .492 | 12.50 |
| 54 | | .648 | 16.46 |
| 56 | | .757 | 19.23 |
| 58 | | .898 | 22.81 |
| 60 | | 1.023 | 25.98 |
| 64 | | 1.137 | 28.88 |
| 68 | | 1.357 | 34.47 |

How To Order

| SAMPLE PART NUMBER | | 667-441 | ME | 12 | U | 01 | -6 |
|--------------------------------|---|--------------------|--------------------|------|---|----|----|
| Product | 667-440 = Receptacle cover (fig. 1) 667-441 = Plug cover (fig. 2) 667-443 = Receptacle cover, self-locking (fig. 3) | | | | | | |
| | Material/ Finish | Material | Finish | Code | | | |
| Material/ Finish | Aluminum | | Electroless Nickel | ME | | | |
| | | | Nickel-PTFE | MT | | | |
| | | | Olive Drab Cadmium | NF | | | |
| | | | Black Zinc-Nickel | ZR | | | |
| | Stainless Steel | Passivate | Z1 | | | | |
| | Composite | | Electroless Nickel | XMD | | | |
| | | Olive Drab Cadmium | XW | | | | |
| | | None | XB | | | | |
| Shell Size | 8 9 10 11 12 14 16 18 20 22 24 | | | | | | |
| Attachment Lanyard (Table 1) | N = No attachment G = Nylon rope SK = Nylon rope with slip knot U = SST rope with polyurethane coating H = SST rope with high temperature translucent FEP jacket S = Sash chain, #8, SST | | | | | | |
| Attachment Ring Code (Table 2) | Omit for attachment types N and SK See Table 2 for ring styles and sizes | | | | | | |
| Attachment Length | Omit for attachment type N Lanyard length in inches | | | | | | |

Table 1 Attachment Lanyards

| | |
|--|---|
|  Nylon Rope (G) -55° to +100°C, black, very flexible, very good abrasion resistance, good resistance to fuels, .120" (3mm) diameter |  Sash Chain (S) Stainless steel, #8 chain, .240" (6mm) |
|  Polyurethane Coated Wire Rope (U) Black polyurethane over stainless steel rope, -55° to +125°C, very flexible, excellent abrasion resistance, excellent resistance to fuels, .080" (2mm) diameter |  Slip Knot (SK) 55° to +100°C, black, very flexible, very good abrasion resistance, good resistance to fuels, .120" (3mm) diameter. Length includes .5" (13mm) diameter loop. |
|  Teflon® Jacketed Wire Rope (H) Translucent FEP jacket over stainless steel, -55° to +200°C, fair flexibility, good abrasion resistance, .100" diameter | |

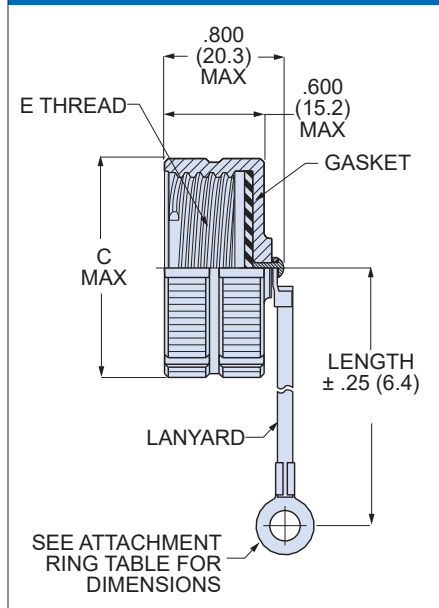
Series 806

Mighty Mouse Mil-Aero Connectors

Protective Covers 667-440, 667-441 and 667-443

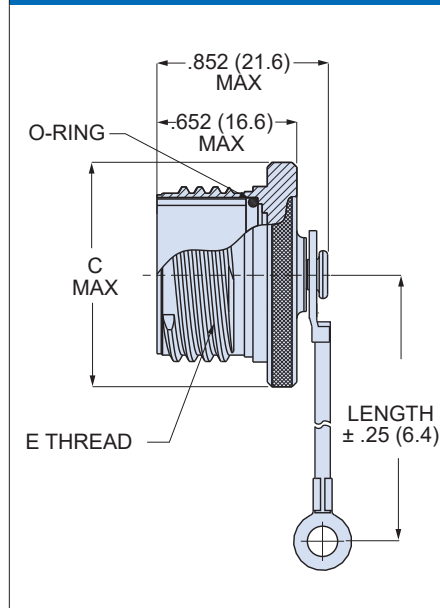


667-440 Receptacle Cover



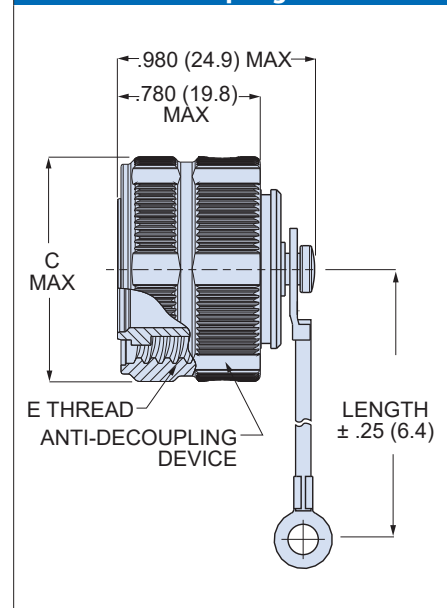
| Shell Size | ØC Max | | E Thread |
|------------|--------|------|------------------------|
| | In. | mm. | |
| 8 | .640 | 16.3 | .5000-.067P-.2L-TS-2B |
| 9 | .703 | 17.8 | .5625-.067P-.2L-TS-2B |
| 10 | .765 | 19.4 | .6250-.067P-.2L-TS-2B |
| 11 | .828 | 21.0 | .6875-.067P-.2L-TS-2B |
| 12 | .890 | 22.6 | .7500-.067P-.2L-TS-2B |
| 14 | 1.015 | 25.8 | .8750-.067P-.2L-TS-2B |
| 16 | 1.140 | 30.0 | 1.0000-.067P-.2L-TS-2B |
| 18 | 1.265 | 32.1 | 1.1250-.067P-.2L-TS-2B |
| 20 | 1.390 | 35.3 | 1.2500-.067P-.2L-TS-2B |
| 22 | 1.515 | 38.5 | 1.3750-.067P-.2L-TS-2B |
| 24 | 1.710 | 43.4 | 1.5000-.067P-.2L-TS-2B |

667-441 Plug Cover



| Shell Size | ØC Max | | E Thread |
|------------|--------|------|------------------------|
| | In. | mm. | |
| 8 | .676 | 17.2 | .5000-.067P-.2L-TS-2A |
| 9 | .771 | 19.6 | .5625-.067P-.2L-TS-2A |
| 10 | .832 | 21.1 | .6250-.067P-.2L-TS-2A |
| 11 | .890 | 22.6 | .6875-.067P-.2L-TS-2A |
| 12 | .950 | 24.1 | .7500-.067P-.2L-TS-2A |
| 14 | 1.110 | 28.2 | .8750-.067P-.2L-TS-2A |
| 16 | 1.170 | 29.7 | 1.0000-.067P-.2L-TS-2A |
| 18 | 1.350 | 34.3 | 1.1250-.067P-.2L-TS-2A |
| 20 | 1.470 | 37.3 | 1.2500-.067P-.2L-TS-2A |
| 22 | 1.600 | 40.6 | 1.3750-.067P-.2L-TS-2A |
| 24 | 1.710 | 43.4 | 1.5000-.067P-.2L-TS-2A |

667-443 Receptacle Cover With Anti-Decoupling Device



| Shell Size | ØC Max | | E Thread |
|------------|--------|------|------------------------|
| | In. | mm. | |
| 8 | .676 | 17.2 | .5000-.067P-.2L-TS-2B |
| 9 | .771 | 19.6 | .5625-.067P-.2L-TS-2B |
| 10 | .832 | 21.1 | .6250-.067P-.2L-TS-2B |
| 11 | .890 | 22.6 | .6875-.067P-.2L-TS-2B |
| 12 | .950 | 24.1 | .7500-.067P-.2L-TS-2B |
| 14 | 1.110 | 28.2 | .8750-.067P-.2L-TS-2B |
| 16 | 1.170 | 29.7 | 1.0000-.067P-.2L-TS-2B |
| 18 | 1.350 | 34.3 | 1.1250-.067P-.2L-TS-2B |
| 20 | 1.470 | 37.3 | 1.2500-.067P-.2L-TS-2B |
| 22 | 1.600 | 40.6 | 1.3750-.067P-.2L-TS-2B |
| 24 | 1.710 | 43.4 | 1.5000-.067P-.2L-TS-2B |

Attachment Ring Dimensions

| Ring Code | Inside Diameter | | Max. Outside Diameter | |
|-----------|-----------------|-------|-----------------------|-------|
| | In. | mm. | In. | mm. |
| 00 | — | — | — | — |
| 04 | .126 | 3.20 | .310 | 7.87 |
| 06 | .145 | 3.68 | .310 | 7.87 |
| 08 | .188 | 4.78 | .310 | 7.87 |
| 10 | .197 | 5.00 | .310 | 7.87 |
| 12 | .423 | 10.74 | .535 | 13.59 |
| 14 | .481 | 12.22 | .593 | 15.06 |
| 16 | .560 | 14.22 | .672 | 17.07 |
| 18 | .600 | 15.24 | .712 | 18.08 |
| 20 | .635 | 16.13 | .770 | 19.56 |
| 22 | .695 | 17.65 | .830 | 21.08 |

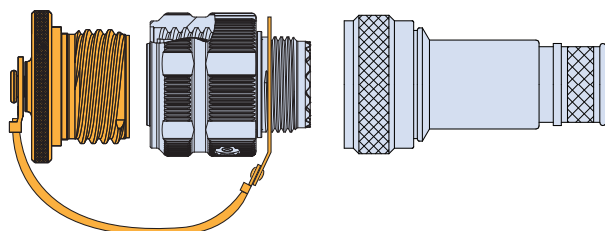
| Ring Code | Inside Diameter | | Max. Outside Diameter | |
|-----------|-----------------|-------|-----------------------|-------|
| | In. | mm. | In. | mm. |
| 24 | .715 | 18.16 | .830 | 21.08 |
| 26 | .766 | 19.46 | .895 | 22.73 |
| 28 | .845 | 21.46 | 1.026 | 26.06 |
| 30 | .885 | 22.48 | 1.026 | 26.06 |
| 32 | .950 | 24.13 | 1.172 | 29.77 |
| 34 | 1.015 | 25.78 | 1.205 | 30.61 |
| 36 | 1.070 | 27.18 | 1.205 | 30.61 |
| 38 | 1.135 | 28.83 | 1.260 | 32.00 |
| 40 | 1.210 | 30.73 | 1.322 | 33.58 |
| 42 | 1.275 | 32.39 | 1.385 | 35.18 |
| 44 | 1.380 | 35.05 | 1.485 | 37.72 |

| Ring Code | Inside Diameter | | Max. Outside Diameter | |
|-----------|-----------------|-------|-----------------------|-------|
| | In. | mm. | In. | mm. |
| 46 | 1.470 | 37.34 | 1.672 | 42.47 |
| 48 | 1.625 | 41.28 | 1.797 | 45.64 |
| 50 | .432 | 10.97 | .570 | 14.48 |
| 52 | .492 | 12.50 | .630 | 16.00 |
| 54 | .648 | 16.46 | .790 | 20.07 |
| 56 | .757 | 19.23 | .890 | 22.61 |
| 58 | .898 | 22.81 | 1.040 | 26.42 |
| 60 | 1.023 | 25.98 | 1.160 | 29.46 |
| 64 | 1.137 | 28.88 | 1.270 | 32.26 |
| 68 | 1.357 | 34.47 | 1.480 | 37.59 |



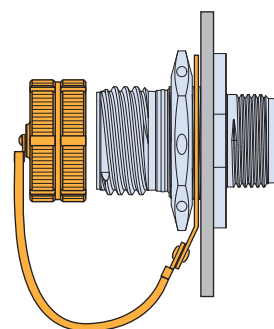
Attachment Ring Application Guide

Attaching a Cover to a Cable-Mounted Connector



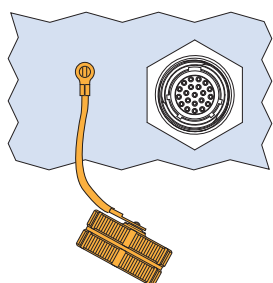
| Shell Size | Accessory Thread Size | Max. Thd. Dia. | | Recommended Ring Code |
|------------|-----------------------|----------------|-----|-----------------------|
| | | In. | mm. | |
| 8 | M10x1.0-6g-0.100R | .393 | 10 | 12 |
| 9 | M12x1.0-6g-0.100R | .471 | 12 | 14 |
| 10 | M14x1.0-6g-0.100R | .550 | 14 | 16 |
| 11 | M15x1.0-6g-0.100R | .589 | 15 | 18 |
| 12 | M17x1.0-6g-0.100R | .668 | 17 | 22 |
| 14 | M19x1.0-6g-0.100R | .747 | 19 | 26 |
| 16 | M22x1.0-6g-0.100R | .865 | 22 | 30 |
| 18 | M25x1.0-6g-0.100R | .983 | 25 | 34 |
| 20 | M28x1.0-6g-0.100R | 1.101 | 28 | 38 |
| 22 | M31x1.0-6g-0.100R | 1.219 | 31 | 42 |
| 24 | M34x1.0-6g-0.100R | 1.338 | 34 | 44 |

Attaching a Receptacle Cover to a Jam Nut Receptacle



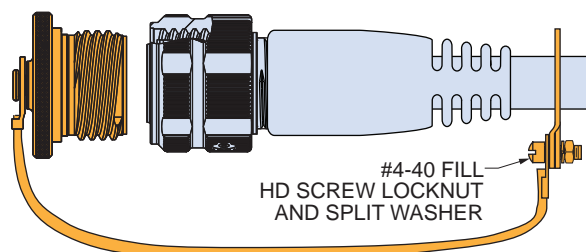
| Shell Size | Jam Nut Thread | Max. Thd. Dia. | | Recommended Ring Code |
|------------|-------------------|----------------|-----|-----------------------|
| | | In. | mm. | |
| 8 | M15x1.0-6g-0.100R | .589 | 15 | 18 |
| 9 | M16x1.0-6g-0.100R | .629 | 16 | 20 |
| 10 | M18x1.0-6g-0.100R | .707 | 18 | 24 |
| 11 | M19x1.0-6g-0.100R | .747 | 19 | 26 |
| 12 | M21x1.0-6g-0.100R | .827 | 21 | 28 |
| 14 | M24x1.0-6g-0.100R | .944 | 24 | 32 |
| 16 | M27x1.0-6g-0.100R | 1.062 | 27 | 36 |
| 18 | M30x1.0-6g-0.100R | 1.180 | 30 | 40 |
| 20 | M34x1.0-6g-0.100R | 1.338 | 34 | 44 |
| 22 | M37x1.0-6g-0.100R | 1.456 | 37 | 46 |
| 24 | M41x1.0-6g-0.100R | 1.613 | 41 | 48 |

Attaching a Cover to a Panel



| Screw Size | Ring Code | Ring I.D. | |
|------------|-----------|--------------|--------------|
| | | In. ±.005 | mm. ±0.13 |
| #4, M3 | 04 | .126 | 3.20 |
| #6 | 06 | .145 | 3.68 |
| #8, M4 | 08 | .188 | 4.78 |
| #10 | 10 | .197 | 5.00 |

Attaching a Cover with Split Ring to a Cordset



| Split Ring Code | Ring I.D. | | Split Ring Code | Ring I.D. | |
|-----------------|-----------|-------|-----------------|-----------|-------|
| | In. | mm. | | In. | mm. |
| 50 | .432 | 10.97 | 58 | .898 | 22.81 |
| 52 | .492 | 12.50 | 60 | 1.023 | 25.98 |
| 54 | .648 | 16.46 | 64 | 1.137 | 28.88 |
| 56 | .757 | 19.23 | 68 | 1.357 | 34.47 |