



Series 802 AquaMouse™ 3500 PSI Submersible Receptacle with Crimp Contacts

802-010 and 802-011 Ordering Information



Series 802 Receptacles feature crimp contacts in a rear release retention system. Shells are machined from stainless steel in jam-nut, square flange, or in-line shell styles. Choose the integral band platform for direct attachment of a cable shield or select accessory thread option to attach backshells. Rated for 3500 PSI when mated. These connectors are suitable for the most demanding geophysical and underwater applications.

How To Order																
Sample Part Number	802-011	-02	Z1	10-26	P	B										
Series (See Table I)	802-010 = Receptacle with Banding Platform 802-011 = Receptacle with Accessory Thread															
Shell Style (See Table II)	-01 = In-Line -02 = Square Flange, Front Panel Mount -07 = Jam-nut, Rear Panel Mount															
Shell Material and Finish	Z1 = Stainless Steel/Passivated RoHS Compliant ZM = Stainless Steel/Electroless Nickel Plated AB = Marine Bronze/Unplated															
Shell Size - Insert Arrangement	See Contact Arrangements Page E-2															
Contact Type	<table border="0"> <tr> <td>Connector supplied with contacts</td> <td>Connector supplied without contacts</td> </tr> <tr> <td>P = Pin</td> <td>A = Pin Connector, less contacts</td> </tr> <tr> <td>S = Socket</td> <td>B = Socket Connector, less contacts</td> </tr> <tr> <td colspan="2">Connectors supplied with contacts do not come installed.</td> </tr> <tr> <td colspan="2">Coaxial contacts and non-standard signal contacts are ordered separately.</td> </tr> </table>						Connector supplied with contacts	Connector supplied without contacts	P = Pin	A = Pin Connector, less contacts	S = Socket	B = Socket Connector, less contacts	Connectors supplied with contacts do not come installed.		Coaxial contacts and non-standard signal contacts are ordered separately.	
Connector supplied with contacts	Connector supplied without contacts															
P = Pin	A = Pin Connector, less contacts															
S = Socket	B = Socket Connector, less contacts															
Connectors supplied with contacts do not come installed.																
Coaxial contacts and non-standard signal contacts are ordered separately.																
Polarization(See Table III)	A = Normal B = Pos. B C = Pos. C D = Pos. D E = Pos. E F = Pos. F															

E

Table I: Connector Series	
802-010 Receptacle with Banding Platform	802-011 Receptacle with Accessory Thread

Table II: Shell Style		
-01 In-Line	-02 Square Flange, Front Panel Mount	-07 Jam-nut, Rear Panel Mount

Table III: Shell Keyway Positions		
Position	A°	B°
A (Normal)	150°	210°
B	75°	210°
C	95°	230°
D	140°	275°
E	75°	275°
F	95°	210°

NOTES

- Grommet protrudes for power/combo/#8 arrangements.
- Crimp contacts used in a Rear release retention system
- Receptacle mates with all 802 series plug connectors with same polarization and opposite contact gender
- Hydrostatic pressure rating: 3500 PSI fully mated and properly molded
- Electrical safety limits to be set by user peak voltages, switching surges, transients etc. should be used to determine safe application
- Parker O-ring compound V709-90 or equivalent
- For all insert arrangements with size #8 contacts, add .364" to overall length

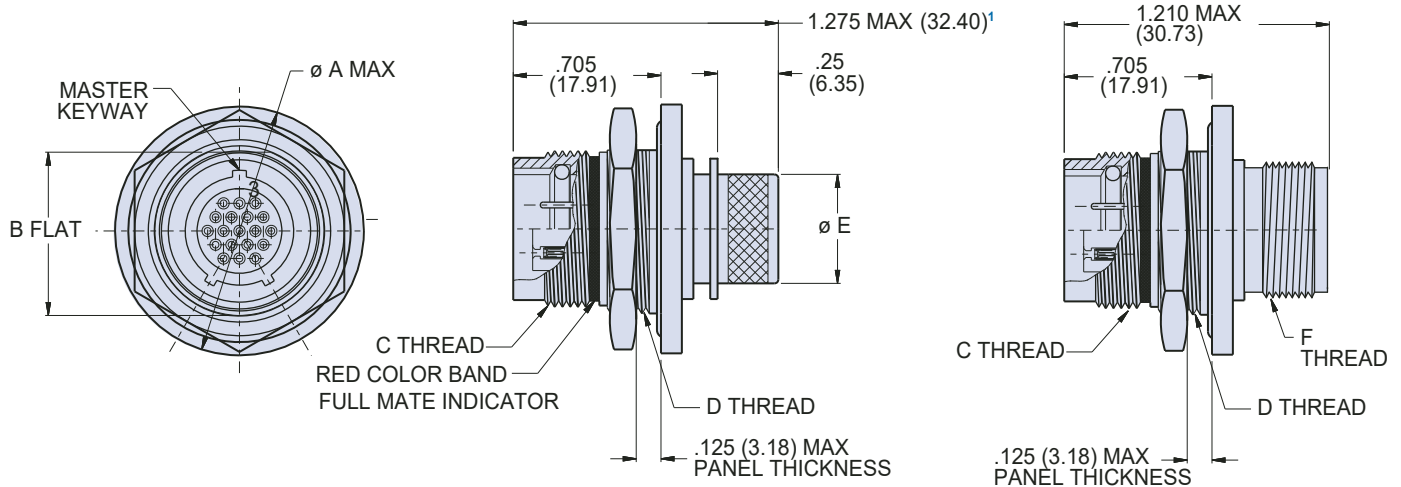
Dimensions in Inches (millimeters) are subject to change without notice.

Series 802 AquaMouse™ 3500 PSI Submersible Receptacle with Crimp Contacts
802-010-07 and 802-011-07 Dimensions



Series 802

Jam-nut, rear panel mount - Shell style 07



Integral Band Platform
802-010

Accessory Thread
802-011

Dimensions						
Shell Size	A Max.	B Flat	C Thread	D Thread	Ø E	F Thread
5	.885 (22.48)	.469 (11.91) .463 (11.76)	.4375-28 UNEF	.5000-32 UN-2A	.232 (5.89)	.2500-32 UNEF-2A
6	1.010 (25.65)	.594 (15.09) .588 (14.94)	.5625-20 UN	.6250-28 UN-2A	.312 (7.92)	.3125-32 UNEF-2A
7	1.072 (27.23)	.656 (16.66) .650 (16.51)	.6250-20 UN	.6875-28 UN-2A	.375 (9.52)	.4375-28 UNEF-2A
8	1.135 (28.83)	.729 (18.52) .725 (18.42)	.6875-20 UN	.7500-28 UN-2A	.438 (11.13)	.5000-28 UNEF-2A
9	1.195 (30.35)	.781 (19.84) .775 (19.68)	.7500-20 UNEF	.8125-28 UN-2A	.500 (12.70)	.5625-24 UNEF-2A
10	1.260 (32.00)	.830 (21.08) .824 (20.93)	.8125-20 UNEF	.8750-28 UN-2A	.562 (14.27)	.6250-24 UNEF-2A
12	1.322 (33.58)	.893 (22.68) .887 (22.53)	.8750-20 UNEF	.9375-28 UN-2A	.656 (16.66)	.6875-24 UNEF-2A
14	1.510 (38.35)	1.080 (27.43) 1.074 (27.28)	1.0625-20 UN	1.1250-28 UN-2A	.812 (20.62)	.8750-20 UNEF-2A
15	1.572 (39.93)	1.143 (29.03) 1.137 (28.88)	1.1250-20 UN	1.1875-28 UN-2A	.885 (22.48)	.9375-20 UNEF-2A
21	1.940 (49.28)	1.467 (37.26) 1.463 (37.16)	1.4375-20 UN	1.5000-28 UN-2A	1.188 (30.18)	1.2500-20 UNEF-2A

Jam-Nut, Rear Panel Mount Panel Cutout Dimensions		
Shell Size	F Flat +.005 (+.13) -.000 (-.00)	Ø G
5	.474 (12.04)	.510 (12.95)
6	.599 (15.21)	.635 (16.13)
7	.661 (16.79)	.697 (17.70)
8	.724 (18.39)	.760 (19.30)
9	.786 (19.96)	.822 (20.88)
10	.835 (21.21)	.885 (22.48)
12	.898 (22.81)	.948 (24.08)
14	1.085 (27.56)	1.135 (28.83)
15	1.148 (29.16)	1.198 (30.43)
19	1.357 (34.47)	1.385 (35.18)
21	1.471 (37.36)	1.510 (38.35)

Material/finish

- Shell: SST / see How to Order table
- Insulator: liquid crystal polymer / N.A.
- Interfacial seal: fluorosilicone / N.A.
- Contact: Copper alloy / gold plate
- O-ring: Viton 90 shore / N.A.

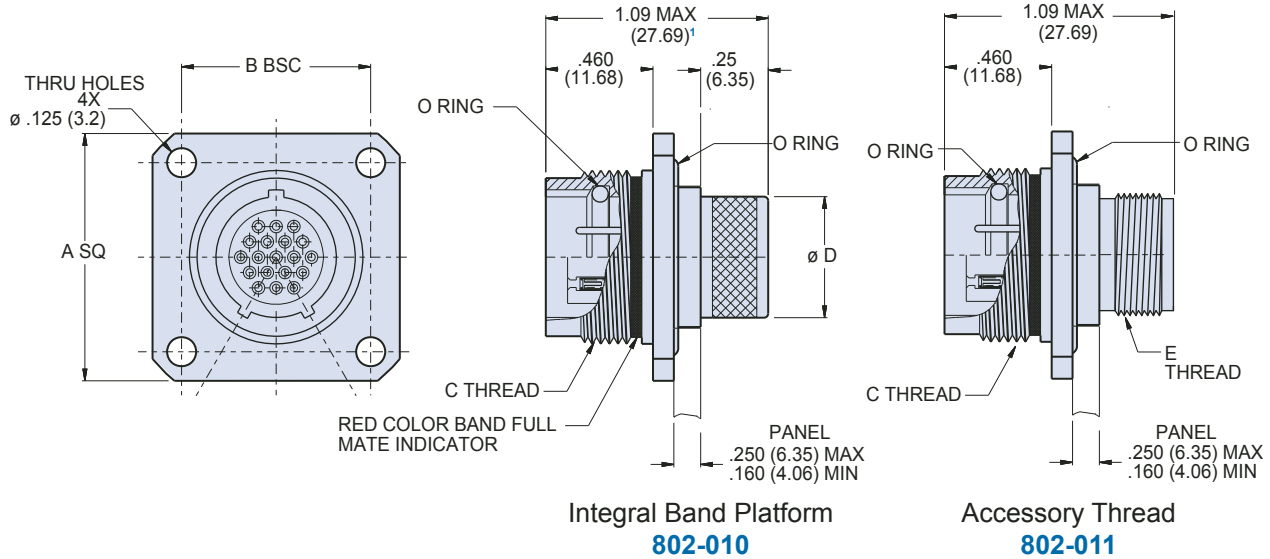
Dimensions in Inches (millimeters) are subject to change without notice.



Series 802 AquaMouse™ 3500 PSI Submersible Receptacle with Crimp Contacts

802-010-02 and 802-011-02 Dimensions

Square flange, front panel mount receptacle - shell style 02



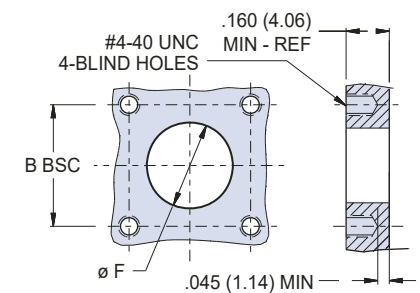
Integral Band Platform
802-010

Accessory Thread
802-011

Dimensions

Shell Size	A Square	B Bsc.	C Mating Threads	Ø D	E Accessory Threads	Ø F
5	.885 (22.48)	.500 (12.70)	.4375-28 UNEF	.232 (5.89)	.250-32 UNEF-2A	.327 (8.31)
6	1.010 (25.65)	.625 (15.88)	.5625-20 UN	.312 (7.92)	.312-32 UNEF-2A	.390 (9.91)
7	1.072 (27.23)	.688 (17.48)	.6250-20 UN	.375 (9.52)	.438-28 UNEF-2A	.515 (13.08)
8	1.135 (28.83)	.750 (19.05)	.6875-20 UN	.438 (11.13)	.500-28 UNEF-2A	.577 (14.66)
9	1.195 (30.35)	.812 (20.62)	.7500-20 UNEF	.500 (12.70)	.562-24 UNEF-2A	.640 (16.26)
10	1.260 (32.00)	.875 (22.23)	.8125-20 UNEF	.562 (14.27)	.625-24 UNEF-2A	.702 (17.83)
12	1.323 (33.60)	.938 (23.83)	.8750-20 UNEF	.656 (16.66)	.688-24 UNEF-2A	.765 (19.43)
14	1.510 (38.35)	1.125 (28.58)	1.0625-20 UN	.812 (20.62)	.875-20 UNEF-2A	.953 (24.21)
15	1.573 (39.95)	1.188 (30.18)	1.1250-20 UN	.885 (22.48)	.938-20 UNEF-2A	1.015 (25.78)
21	1.750 (44.45)	1.375 (34.92)	1.4375-20 UN	1.188 (30.18)	1.250-20 UNEF-2A	1.312 (33.32)

Series 802 Square Flange Front Panel Mount, Panel Cutout



Shell size	B BSC	Ø F
5	.500 (12.70)	.327 (8.31)
6	.625 (15.88)	.390 (9.91)
7	.688 (17.48)	.515 (13.08)
8	.750 (19.05)	.577 (14.66)
9	.812 (20.62)	.640 (16.26)
10	.875 (22.23)	.702 (17.83)
12	.938 (23.83)	.765 (19.43)
14	1.125 (28.58)	.953 (24.21)
15	1.188 (30.18)	1.015 (25.78)
21	1.375 (34.92)	1.312 (33.32)

Material/finish

- Shell: SST / see How to Order table
- Insulator: liquid crystal polymer / N.A.
- Interfacial seal: fluorosilicone / N.A.
- Contact: Copper alloy / gold plate
- O-ring: Viton 90 shore / N.A.

Piston O-ring replacement

Shell size	Flange Style 02 O-ring P/N
5	2-012
6	2-014
7	2-015
8	2-016
9	2-017
10	2-018
12	2-019
14	2-022
15	2-023
21	2-028

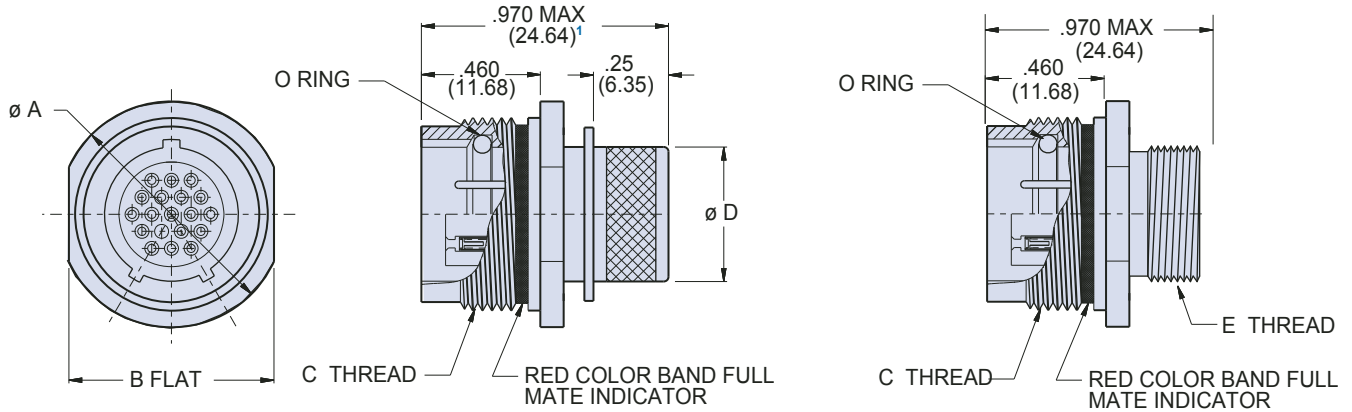
Dimensions in Inches (millimeters) are subject to change without notice.

Series 802 AquaMouse™ 3500 PSI Submersible
 Receptacle with Crimp Contacts
 802-010-1 and 802-011-01 Dimensions



Series 802

In-line receptacle - shell style 01



Integral Band Platform
802-010

Accessory Thread
802-011

Dimensions					
Shell Size	Ø A	B Flats	C Mating Threads	Ø D	E Accessory Threads
5	.560 (14.22)	.500 (12.70)	.4375-28 UNEF	.232 (5.89)	.250-32 UNEF-2A
6	.720 (18.29)	.625 (15.88)	.5625-20 UN	.312 (7.92)	.312-32 UNEF-2A
7	.780 (19.81)	.688 (17.48)	.6250-20 UN	.375 (9.52)	.438-28 UNEF-2A
8	.860 (21.84)	.750 (19.05)	.6875-20 UN	.438 (11.13)	.500-28 UNEF-2A
9	.930 (23.62)	.812 (20.62)	.7500-20 UNEF	.500 (12.70)	.562-24 UNEF-2A
10	1.000 (25.40)	.875 (22.23)	.8125-20 UNEF	.562 (14.27)	.625-24 UNEF-2A
12	1.060 (26.92)	.938 (23.83)	.8750-20 UNEF	.656 (16.66)	.688-24 UNEF-2A
14	1.250 (31.75)	1.125 (28.58)	1.0625-20 UN	.812 (20.62)	.875-20 UNEF-2A
15	1.320 (33.53)	1.188 (30.18)	1.1250-20 UN	.885 (22.48)	.938-20 UNEF-2A
21	1.690 (42.93)	1.562 (39.67)	1.4375-20 UN	1.188 (30.18)	1.250-20 UNEF-2A

Piston O-ring replacement	
Shell size	Piston O-ring P/N
5	2-009
6	5-052
7	5-012
8	5-212
9	2-014
10	2-015
12	2-016
14	2-019
15	2-020
21	2-023

Material/finish

- Shell: SST / see How to Order table
- Insulator: liquid crystal polymer / N.A.
- Interfacial seal: fluorosilicone / N.A.
- Contact: Copper alloy / gold plate
- O-ring: Viton 90 shore / N.A.

Dimensions in Inches (millimeters) are subject to change without notice.