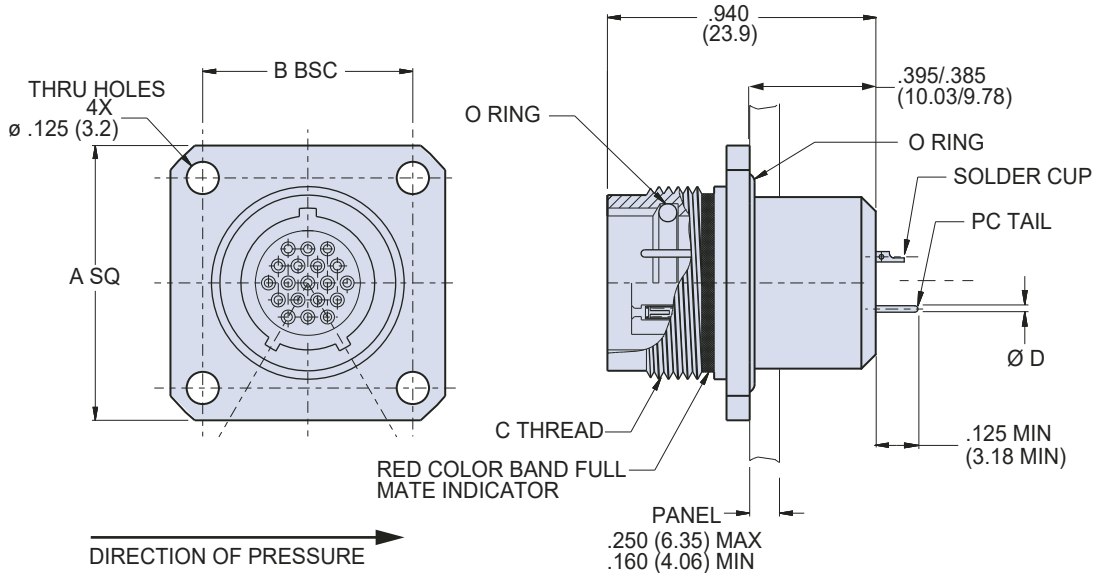


Series 802 AquaMouse™ 3500 PSI Submersible
 Receptacle with PC Tails or Solder Cups
 802-012-02 and 802-030-02 Dimensions



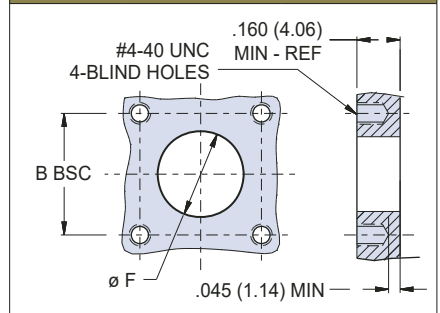
Series 802

Square flange, front panel mount receptacle - shell style 02



Dimensions					
Shell Size	A Square	B BSC	C Mating Threads	ϕ D Tail Dia.	ϕ E
5	.885 (22.48)	.500 (12.70)	.4375-28 UNEF	.018/.022 (0.46/0.56)	.327 (8.31)
6	1.010 (25.65)	.625 (15.88)	.5625-20 UN		.390 (9.91)
7	1.072 (27.23)	.688 (17.48)	.6250-20 UN	#23	.515 (13.08)
8	1.135 (28.83)	.750 (19.05)	.6875-20 UN		.577 (14.66)
9	1.195 (30.35)	.812 (20.62)	.7500-20 UNEF	#20	.640 (16.26)
10	1.260 (32.00)	.875 (22.23)	.8125-20 UNEF		.702 (17.83)
12	1.323 (33.60)	.938 (23.83)	.8750-20 UNEF	#16	.765 (19.43)
14	1.510 (38.35)	1.125 (28.58)	1.0625-20 UN		.953 (24.21)
15	1.573 (39.95)	1.188 (30.18)	1.1250-20 UN	#12	1.015 (25.78)
21	1.750 (44.45)	1.375 (34.92)	1.4375-20 UN		1.312 (33.32)

Series 802 Square Flange Front Panel Mount, Panel Cutout



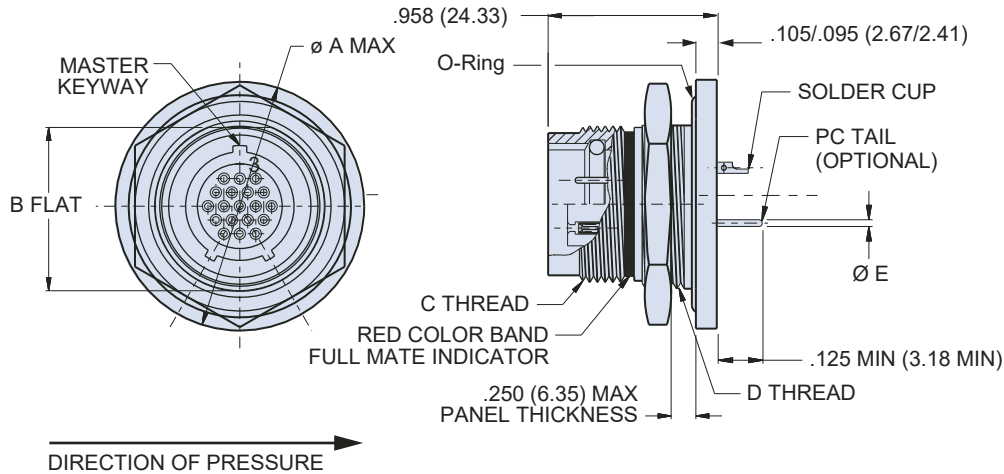
Shell size	B BSC	ϕ F
5	.500 (12.70)	.327 (8.31)
6	.625 (15.88)	.390 (9.91)
7	.688 (17.48)	.515 (13.08)
8	.750 (19.05)	.577 (14.66)
9	.812 (20.62)	.640 (16.26)
10	.875 (22.23)	.702 (17.83)
12	.938 (23.83)	.765 (19.43)
14	1.125 (28.58)	.953 (24.21)
15	1.188 (30.18)	1.015 (25.78)
21	1.375 (34.92)	1.312 (33.32)

Material/finish

- Shell, receptacle: SST / see How to Order table
- Insulator: high grade rigid dielectric
- Interfacial seal: fluorosilicone
- Contact: copper alloy / gold plate per ASTM B 488, Type II Class 1.25, over a suitable underplate
- O-ring: Viton 90 shore / N.A.
- Potting: epoxy

Dimensions in Inches (millimeters) are subject to change without notice.

Jam-nut, rear panel mount receptacle - shell style 07



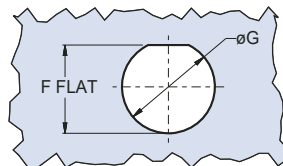
Dimensions

Shell Size	Ø A Max.	B Flat ± .003 (±0.08)	C Mating Threads	D Threads	Ø E Tail Dia.	F Flat ± .003 (±0.08)	Ø G
5	.885 (22.48)	.466 (11.84)	.4375-28 UNEF	.5000-32 UN-2A	#23 .018/.022 (0.46/0.56) #20 .024/.028 (0.61/0.71) #16 .060/.064 (1.52/1.63) #12 .092/.096 (2.34/2.44)	.477 (12.12)	.510 (12.95)
6	1.010 (25.65)	.591 (15.01)	.5625-20 UN	.6250-28 UN-2A		.602 (15.29)	.635 (16.13)
7	1.072 (27.23)	.653 (16.59)	.6250-20 UN	.6875-28 UN-2A		.664 (16.87)	.697 (17.70)
8	1.135 (28.83)	.716 (18.19)	.6875-20 UN	.7500-28 UN-2A		.727 (18.47)	.760 (19.30)
9	1.195 (30.35)	.778 (19.76)	.7500-20 UNEF	.8125-28 UN-2A		.789 (20.04)	.822 (20.88)
10	1.260 (32.00)	.827 (21.01)	.8125-20 UNEF	.8750-28 UN-2A		.838 (21.29)	.885 (22.48)
12	1.322 (33.58)	.890 (22.61)	.8750-20 UNEF	.9375-28 UN-2A		.901 (22.89)	.948 (24.08)
14	1.510 (38.35)	1.077 (27.36)	1.0625-20 UN	1.1250-28 UN-2A		1.088 (27.64)	1.135 (28.83)
15	1.572 (39.93)	1.140 (28.96)	1.1250-20 UN	1.1875-28 UN-2A		1.151 (29.24)	1.198 (30.43)
21	1.940 (49.28)	1.463 (37.16) 1.467 (37.26)	1.4375-20 UN	1.500-28 UN-2A		1.473 (37.41)	1.510 (38.35)

E

Jam-Nut, Rear Panel Mount Panel Cutout Dimensions

Shell Size	F Flat +.005 (+.13) -.000 (-.00)	Ø G
5	.474 (12.04)	.510 (12.95)
6	.599 (15.21)	.635 (16.13)
7	.661 (16.79)	.697 (17.70)
8	.724 (18.39)	.760 (19.30)
9	.786 (19.96)	.822 (20.88)
10	.835 (21.21)	.885 (22.48)
12	.898 (22.81)	.948 (24.08)
14	1.085 (27.56)	1.135 (28.83)
15	1.148 (29.16)	1.198 (30.43)
19	1.357 (34.47)	1.385 (35.18)
21	1.471 (37.36)	1.510 (38.35)



Material/finish

- Shell, receptacle, jam-nut: SST / see How to Order table
- Insulator: high grade rigid dielectric
- Interfacial seal: fluorosilicone
- Contact: copper alloy / gold plate per ASTM B 488, Type II Class 1.25, over a suitable underplate
- O-ring: Viton 90 shore / N.A.
- Potting: epoxy

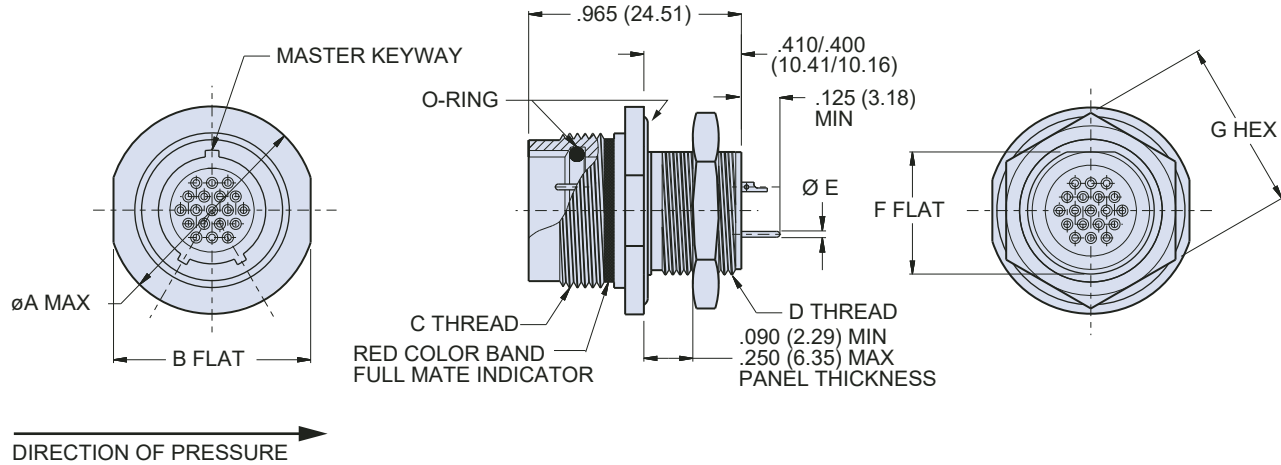
Dimensions in Inches (millimeters) are subject to change without notice.

Series 802 AquaMouse™ 3500 PSI Submersible
Receptacle with PC Tails or Solder Cups
802-012-00 and 802-030-00 Dimensions



Series 802

Jam-nut, front panel mount receptacle - shell style 00



Dimensions							
Shell Size	Ø A Max.	B Flat	C Mating Threads	D Threads	Ø E Tail Dia.	F Flat	G Hex
5	.72 (18.29)	.625 (15.88)	.4375-28 UNEF-2A	.312-28 UN-2A	#23 .018/.022 (0.46/0.56)	.281 (7.14)	.500 (12.70)
6	.78 (19.81)	.750 (19.05)	.5625-20 UN-2A	.438-28 UN-2A		.344 (8.74)	.625 (15.88)
7	.91 (23.11)	.812 (20.62)	.6250-20 UN-2A	.500-32 UN-2A		.469 (11.91)	.688 (17.48)
8	.96 (24.38)	.875 (22.23)	.6875-20 UN-2A	.562-28 UN-2A	#20 .024/.028 (0.61/0.71)	.531 (13.49)	.750 (19.05)
9	1.03 (26.16)	.937 (23.80)	.7500-20 UNEF-2A	.625-28 UN-2A		.594 (15.09)	.812 (20.62)
10	1.09 (27.69)	1.000 (25.40)	.8125-20 UNEF-2A	.687-28 UN-2A	#16 .060/.064 (1.52/1.63)	.656 (16.66)	.875 (22.23)
12	1.16 (29.46)	1.062 (26.97)	.8750-20 UNEF-2A	.750-28 UN-2A		.719 (18.26)	.938 (23.83)
14	1.34 (34.04)	1.250 (31.75)	1.0625-20 UN-2A	.938-28 UN-2A	#12 .092/.096 (2.34/2.44)	.893 (22.68)	1.125 (28.58)
15	1.41 (35.81)	1.312 (33.32)	1.1250-20 UN-2A	1.000-28 UN-2A		.955 (24.26)	1.188 (30.18)
21	1.70 (43.18)	1.562 (39.67)	1.4375-20 UN-2A	1.312-28 UN		1.257 (31.93)	1.500 (38.10)

Material/finish

- Shell, receptacle, jam-nut: SST / see How to Order table
- Insulator: high grade rigid dielectric
- Interfacial seal: fluorosilicone
- Contact: copper alloy / gold plate per ASTM B 488, Type II Class 1.25, over a suitable underplate
- O-ring: Viton 90 shore / N.A.
- Potting: epoxy

Jam-Nut, Front Panel Mount Panel Cutout Dimensions			
Shell Size	H Flat +.005 (.13) -.000 (-.00)	Ø J	
5	.286 (7.26)	.322 (8.18)	
6	.412 (10.46)	.448 (11.38)	
7	.474 (12.04)	.510 (12.95)	
8	.536 (13.61)	.572 (14.53)	
9	.599 (15.21)	.635 (16.13)	
10	.661 (16.79)	.697 (17.70)	
12	.724 (18.39)	.760 (19.30)	
14	.898 (22.81)	.948 (24.08)	
15	.960 (24.38)	1.010 (25.65)	
19	1.091 (27.71)	1.135 (28.83)	
21	1.263 (32.08)	1.322 (33.58)	

Dimensions in Inches (millimeters) are subject to change without notice.