

Series 802 AquaMouse™ 3500 PSI Submersible Hermetic Jam-nut Mount Bulkhead Feed-Thru Receptacle

802-050 Ordering Information



Series 802



Series 802 Hermetic Jam-Nut Mount, Bulkhead Feed-Thru Receptacles provide a separable hermetic connection on both sides of a mounting panel. Features hermeticity of 5×10^{-8} sccHe/sec at 1 atmosphere differential. Gold plated iron alloy contacts and compression glass dielectric material. The passivated, stainless steel connector shell offers excellent corrosion protection. Available with pin to pin contacts. Power applied to a given contact on one end will result in power to contact directly opposite, regardless of contact identification letter. Shell sizes 5 thru 12 have a maximum open face rated test pressure of 10,000 PSI, shell sizes 14 thru 21 have a maximum open face rated test pressure of 5,000 PSI in one direction.

How To Order	
Sample Part Number	802-050 Z1 12-37 P P A 01 N
Series	802-050 = Bulkhead Feed-Thru Hermetic Receptacle
Shell Material and Finish	Z1 = 316 Stainless Steel / Passivated RoHS Compliant
Shell Size - Insert Arrangement (See Table I)	See Table III
Contact Type Jam-Nut Side	P = Pin
Contact Type Opposite Side	P = Pin
Polarization (See Table II)	A = Normal B = Pos. B C = Pos. C D = Pos. D E = Pos. E F = Pos. F
Panel Thickness (See Table III)	-01 = .500/1.000 -02 = 1.000/1.500 -03 = 1.500/2.000 -04 = 2.000/2.500 -05 = 2.500/3.000 -06 = 3.000/3.500 -07 = 3.500/4.000
O-ring Material	V = Viton N = Nitrile NA = No external o-rings supplied (suggested material: Nitrile)

Shell Size	Insert Arrangement(s)
5	-3
6	-1, -4, -6, -7, -23
7	-1, -10, -25
8	-1, -2, -13, -28, -200
9	-4, -19, -200, -201, -210
10	-2, -5, -26, -200, -201, -202
12	-2, -3, -7, -37, -200, -201, -220
14	-5, -12, -55, -235
15	-3, -7, -14, -85, -241
21	-12, -22, -130, -269

Panel Thickness Code	H Panel Thickness	J Maximum Length
-01	.500/1.000	2.450
-02	1.000/1.500	2.950
-03	1.500/2.000	3.450
-04	2.000/2.500	3.950
-05	2.500/3.000	4.450
-06	3.000/3.500	4.950
-07	3.500/4.000	5.450

Key Position	Key Rotation	
	A°	B°
A Normal	150°	210°
B	75°	210°
C	95°	230°
D	140°	275°
E	75°	275°
F	95°	210°

NOTES

- Mates with 802 series plugs
- Electrical safety limits and maximum usage pressure to be determined by the customer
- Test requirements:
 - DWV:

- » #23 Contacts: 750 VAC pin to pin and pin to shell without breakdown
- » #20 contacts: 1000 VAC pin to pin and pin to shell without breakdown
- » #16 and #12 contacts: 1800 VAC pin to pin and pin to shell without breakdown
- I.R.: 20,000 megohms test(@ 500 VDC minimum)

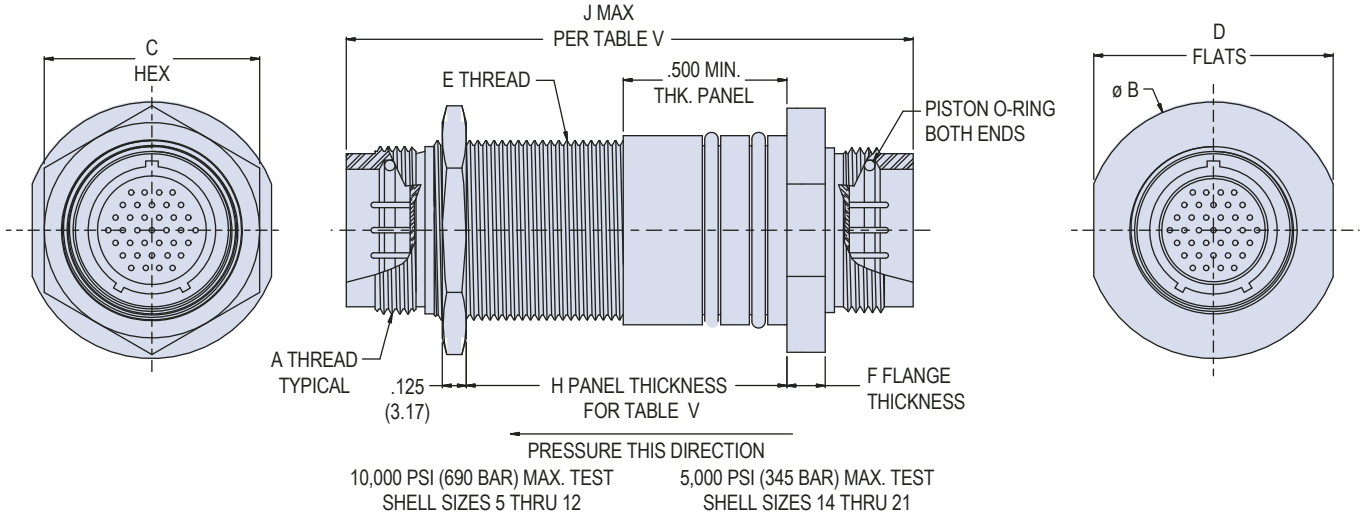
Dimensions in Inches (millimeters) are subject to change without notice.



Series 802 AquaMouse™ 3500 PSI Submersible Hermetic Jam-nut Mount Bulkhead Feed-Thru

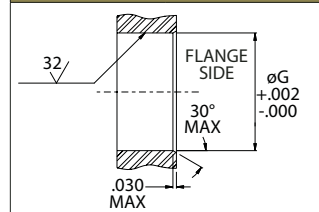
802-050 Dimensions

Jam-nut mount bulkhead Feed-Thru



Dimensions								
Shell Size	A Thread	Ø B Max	C Hex	D Flat	E Thread	Ø G	Ext. O-Ring	F
5	.4375-28 UNEF	.950 (24.13)	.688 (17.48)	.880 (22.35) .870 (22.10)	.5000-32 UN-2A	.562 (14.27)	2-013	.260 (6.60)
6	.5625-20 UN	1.150 (29.21)	.812 (20.62)	1.010 (25.65) 1.000 (25.40)	.6250-20 UN-2A	.687 (17.45)	2-015	.260 (6.60)
7	.6250-20 UN	1.225 (31.12)	.875 (22.23)	1.080 (27.43) 1.070 (27.18)	.6875-28 UN-2A	.750 (19.05)	2-016	.260 (6.60)
8	.6875-20 UN	1.275 (32.39)	.938 (23.83)	1.140 (28.96) 1.130 (28.70)	.7500-28 UN-2A	.812 (20.62)	2-017	.260 (6.60)
9	.7500-20 UNEF	1.325 (33.65)	1.000 (25.40)	1.205 (30.61) 1.195 (30.35)	.8125-28 UN-2A	.875 (22.23)	2-018	.260 (6.60)
10	.8125-20 UNEF	1.380 (35.05)	1.000 (25.40)	1.270 (32.26) 1.260 (32.00)	.8750-28 UN-2A	.937 (23.80)	2-019	.260 (6.60)
12	.8750-20 UNEF	1.462 (37.13)	1.125 (28.58)	1.330 (33.78) 1.320 (33.53)	.9375-28 UN-2A	1.000 (25.40)	2-020	.260 (6.60)
14	1.0625-20 UN	1.650 (41.91)	1.312 (33.32)	1.520 (38.61) 1.510 (38.35)	1.1250-28 UN-2A	1.187 (30.15)	2-023	.325 (8.25)
15	1.1250-20 UN	1.700 (43.18)	1.375 (34.92)	1.580 (40.13) 1.570 (39.88)	1.1875-28 UN-2A	1.250 (31.75)	2-024	.325 (8.25)
21	1.4375-20 UN	2.165 (54.99)	1.700 (43.18)	2.015 (51.18) 2.005 (50.93)	1.5000-28 UN-2A	1.625 (41.28)	2-029	.325 (8.25)

Jam-Nut Mount Bulkhead Feed-Thru, Panel Cutout Dimensions



Shell Size	Ø G
5	.562 (14.27)
6	.687 (17.45)
7	.750 (19.05)
8	.812 (20.62)
9	.875 (22.23)
10	.937 (23.80)
12	1.000 (25.40)
14	1.187 (30.15)
15	1.250 (31.75)
19	1.625 (41.28)
21	1.263 (32.08)

Material/Finish

- Shell, jam-nut: SST / passivated
- Pin contacts: nickel-iron alloy/gold plate
- Insulators: high-grade rigid dielectric
- O-rings: specify, must be per Norsok M-710 standard / N.A.

Dimensions in Inches (millimeters) are subject to change without notice.