



Series 802 AquaMouse™ 3500 PSI Submersible Hermetic Receptacle with Removable Crimp Termination

802-056 Ordering Information

Series 802 Hermetic Receptacles feature gold plated iron alloy contacts and compression glass dielectric material. The 316 series stainless steel connector shell provides excellent corrosion protection and is suitable for e-beam welding. Viton® O-rings offer improved resistance to high temperature and harsh chemicals.

Hermeticity less than 1×10^{-7} cc/Second at 1 ATM. Open face (unmated) pressure rating is 1000 PSI. When mated, Series 802 connectors withstand 3500 PSI hydrostatic pressure.

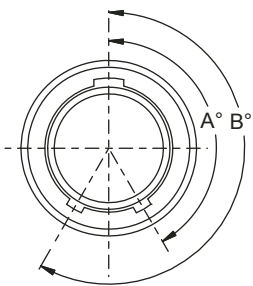
How To Order						
Sample Part Number	802-056	-07	Z1	6-7	P	A
Series	802-056 = Hermetic Receptacle					
Shell Style (See Table I)	-00 = Jam-Nut, Front Panel Mount -02 = Square Flange, Front Panel Mount -07 = Jam-Nut, Rear Panel Mount					
Shell Material and Finish	Z1 = Stainless Steel / Passivated (RoHS) ZL = Stainless Steel / Nickel Plated					
Shell Size - Insert Arrangement	See Contact Arrangements page E-2					
Contact Type	P = Pin, Face S = Socket, Face					
Polarization (See Table II)	A = Normal B = Pos. B C = Pos. C D = Pos. D E = Pos. E F = Pos. F					

Table I: Shell Style

-00 Jam-Nut for Front Panel Mounting	-02 Square Flange	-07 Jam-Nut for Rear Panel Mounting

Table II: Key Positions

Key Position	Key Rotation	
	A°	B°
A Normal	150°	210°
B	75°	210°
C	95°	230°
D	140°	275°
E	75°	275°
F	95°	210°



NOTES

- Socket contacts for termination are shipped loose with parts
- Mates to 802 series plugs
- Performance capabilities:
 - Hydrostatic pressure rating: 1000 PSI open face, 3500 PSI fully mated and properly molded
 - Insulation resistance (test): 5,000 megohms @ 500 VDC minimum
 - Dielectric withstanding voltage (test): See Table III
 - Hermeticity: less than 1×10^{-7} cc/sec @ 1 ATM delta P
- Parker O-ring compound V709-90 or equivalent

Table III: DWV Rating by Contact

23	500 VAC
23 HD	750 VAC
20, 16, 12	1800 VAC

Material/Finish

- Shell, jam-nut: SST / see part number development
- Insulator, hermetic: full glass
- Insulator, socket: high-grade rigid dielectric
- Seals, grommet: fluorosilicone
- Contact, hermetic: alloy 52/gold plate
- Contact, socket: copper alloy/gold plate
- O-rings: viton/90 shore

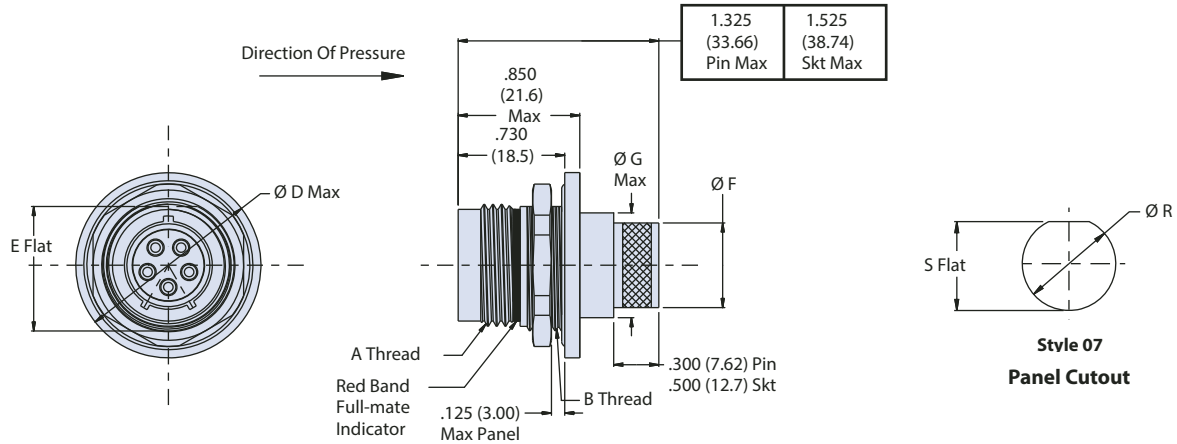
Dimensions in Inches (millimeters) are subject to change without notice.

Series 802 AquaMouse™ 3500 PSI Submersible
Hermetic Receptacle with Removable Crimp Termination
802-056 Dimensions

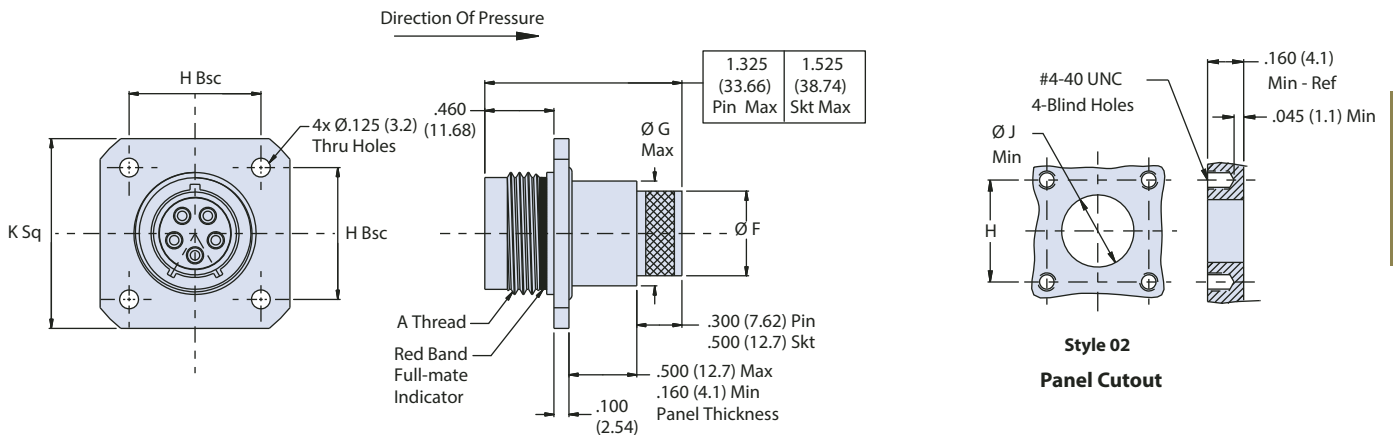


Series 802

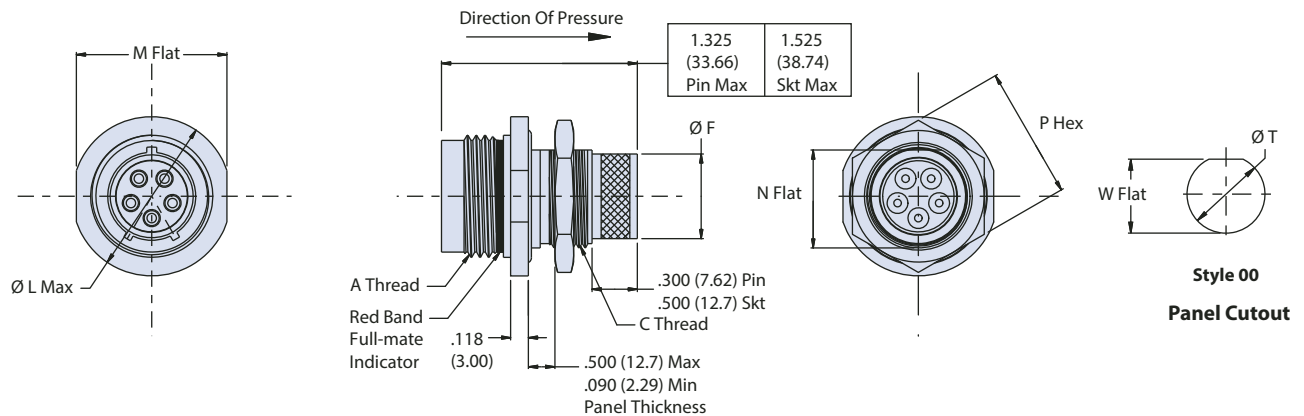
Jam-nut, rear panel mount receptacle - shell style 07



Square flange, front panel mount, thru-hole receptacle - shell style 02



Jam-nut, front panel mount receptacle - shell style 00



Dimensions in Inches (millimeters) are subject to change without notice.



Series 802 AquaMouse™ 3500 PSI Submersible Hermetic Receptacle with Removable Crimp Termination

802-056 Dimensions

Dimensions										
Shell Size	A Thread	B Thread	C Thread	Ø D	E Flat	Ø F	Ø G	H Dim	Ø J	K Dim
5	.4375-28 UNEF	.5000-32 UN	.312-28 UN	0.885 (22.50)	.469/.463 (11.9/11.8)	0.232 (5.90)	0.320 (8.10)	0.500 (12.70)	0.327 (8.30)	0.885 (22.50)
6	.5625-20 UN	.6250-20 UN	.438-28 UN	1.010 (25.70)	.594/.588 (15.1/14.9)	0.312 (7.90)	0.380 (9.60)	0.625 (15.90)	0.390 (9.90)	1.010 (25.70)
7	.6250-20 UN	.6875-28 UN	.500-32 UN	1.072 (27.20)	.656/.650 (16.7/16.5)	0.375 (9.50)	0.510 (12.90)	0.688 (17.50)	0.515 (13.10)	1.072 (27.20)
8	.6875-20 UN	.7500-28 UN	.562-28 UN	1.135 (28.80)	.729/.725 (18.5/18.4)	0.438 (11.10)	0.560 (14.20)	0.750 (19.10)	0.577 (14.70)	1.135 (28.80)
9	.7500-20 UNEF	.8125-28 UN	.625-20 UN	1.195 (30.40)	.781/.775 (19.8/19.7)	0.500 (12.70)	0.635 (16.10)	0.812 (20.60)	0.640 (16.30)	1.195 (30.40)
10	.8125-20 UNEF	.8750-28 UN	.687-28 UN	1.260 (32.00)	.830/.824 (21.1/20.9)	0.562 (14.30)	0.695 (17.70)	0.875 (22.20)	0.702 (17.80)	1.260 (32.00)
12	.8750-20 UNEF	.9375-28 UN	.750-28 UN	1.322 (33.60)	.893/.887 (22.7/22.5)	0.656 (16.70)	0.755 (19.20)	0.938 (23.80)	0.765 (19.40)	1.323 (33.60)
14	1.0625-20 UN	1.1250-28 UN	.938-28 UN	1.510 (38.40)	1.080/1.074 (27.4/27.3)	0.812 (20.60)	0.945 (24.00)	1.125 (28.60)	0.953 (24.20)	1.510 (38.40)
15	1.1250-20 UN	1.1875-28 UN	1.000-28 UN	1.572 (39.90)	1.143/1.137 (29.0/28.9)	0.885 (22.40)	1.005 (25.50)	1.188 (30.20)	1.015 (25.80)	1.573 (40.00)
21	1.4375-20 UN	1.5000-28 UN	1.312-28 UN	1.940 (49.30)	1.467/1.463 (37.3/37.2)	1.188 (30.20)	1.305 (33.10)	1.375 (34.90)	1.312 (33.30)	1.750 (44.50)

Dimensions (continued)												
Shell Size	Ø L	M Flat	N Flat	TP Hex	Ø R	S Flat	Ø T	W Flat	Ø R	Piston O-ring*	Flange O-ring Style 00 & 02*	Flange O-ring Style 07*
5	0.72 (18.30)	0.625 (15.90)	0.281 (7.10)	0.500 (12.70)	0.510 (13.00)	.479/.474 (12.2/12.0)	0.322 (8.20)	.291/.286 (7.4/7.3)	2-009	2-012	2-015	
6	0.78 (19.80)	0.750 (19.10)	0.406 (10.30)	0.625 (16.00)	0.635 (16.10)	.604/.599 (15.3/15.2)	0.448 (11.40)	.417/.412 (10.7/10.5)	5-052	2-014	2-017	
7	0.91 (23.10)	0.812 (20.60)	0.469 (11.90)	0.688 (17.50)	0.697 (17.70)	.666/.661 (16.9/16.8)	0.510 (13.00)	.479/.474 (12.2/12.0)	2-012	2-015	2-019	
8	0.96 (24.40)	0.875 (22.20)	0.531 (13.50)	0.750 (19.10)	0.760 (19.30)	.737/.733 (18.7/18.6)	0.572 (14.50)	.541/.536 (13.7/13.6)	5-212	2-016	2-019	
9	1.03 (26.20)	0.937 (23.80)	0.594 (15.10)	0.812 (20.60)	0.822 (20.90)	.791/.786 (20.1/20.0)	0.635 (16.10)	.604/.599 (15.3/15.2)	2-014	2-017	2-020	
10	1.09 (27.70)	1.000 (25.40)	0.656 (16.70)	0.875 (22.20)	0.885 (22.50)	.840/.835 (21.3/21.2)	0.697 (17.70)	.666/.661 (16.9/16.8)	2-015	2-018	2-021	
12	1.16 (29.50)	1.062 (27.00)	0.719 (18.30)	0.938 (23.80)	0.948 (24.10)	.903/.898 (22.9/22.8)	0.760 (19.30)	.729/.724 (18.5/18.4)	2-016	2-019	2-022	
14	1.34 (34.00)	1.250 (31.80)	0.893 (22.70)	1.125 (28.60)	1.135 (28.80)	1.090/1.085 (27.7/27.6)	0.948 (24.10)	.903/.898 (22.9/22.8)	2-019	2-022	2-025	
15	1.41 (35.80)	1.312 (33.30)	0.955 (24.30)	1.188 (30.20)	1.198 (30.40)	1.153/1.148 (29.3/29.2)	1.010 (25.70)	.965/.960 (24.5/24.4)	2-020	2-023	2-026	
21	1.70 (43.20)	1.562 (39.70)	1.257 (31.90)	1.500 (38.10)	1.510 (38.40)	1.475/1.471 (37.5/37.4)	1.322 (33.60)	1.267/1.263 (32.2/32.1)	2-023	2-028	2-030	

*See note 5

Dimensions in Inches (millimeters) are subject to change without notice.