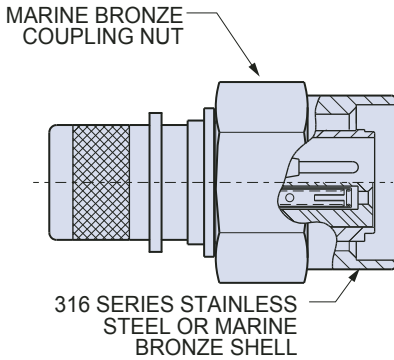


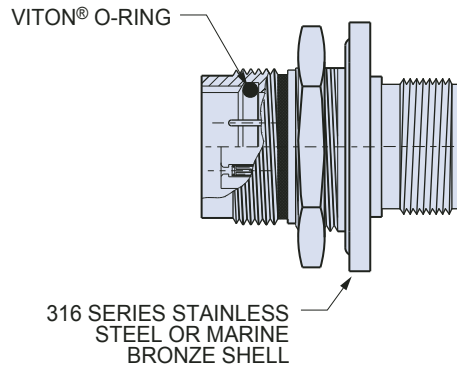
Series 802 AquaMouse™ 3500 PSI Submersibles General Information



Series 802



Series 802 Plug



Series 802 Receptacle

Glenair Series 802 AquaMouse™ Delivers High-Pressure Sealing and Rugged Design in a Miniature Package

Originally developed for petroleum pipeline inspection equipment, Series 802 connectors withstand exposure to corrosive environments and high pressure. These connectors feature high density crimp Mighty Mouse inserts, 316 stainless steel or marine bronze shells and a “piston” O-ring for hydrostatic sealing. Gold-plated contacts accept #12-30 AWG wire. Printed circuit board receptacles are available, along with hermetic receptacles.

Stainless Steel or Marine Bronze

Available in ten sizes from 1 to 130 contacts, Series 802 connectors feature 316 stainless steel or marine bronze shells. Viton® O-rings resist high temperature and corrosive chemicals.

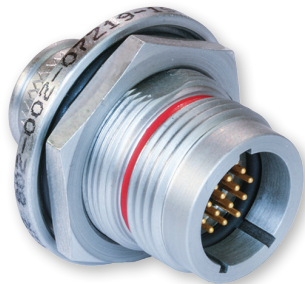
3500 psi

These connectors withstand up to 3500 PSI hydrostatic pressure in a mated condition.

Hermetic Connectors

Hermetic versions withstand 1000 PSI open face pressure and are rated to less than 1×10^{-7} . For hermetic applications with higher leak rate requirements add modification code **-585**. See table below for specifications.

Hermetic Leak Rate Mod Codes	
Designator	Required Leak Rate
-585A	1×10^{-10} cc Helium per second
-585B	1×10^{-9} cc Helium per second
-585C	1×10^{-8} cc Helium per second



Specifications	
Current Rating	#23-5 A, #20-7.5 A, #16-13 A, #12-23 A
Dielectric Withstanding Voltage	#23-750 VAC, #20HD-1000VAC, #16 and #12-1800 VAC
Insulation Resistance	5000 megohms minimum
Operating Temperature	-65° C. to +175° C.
Hydrostatic Pressure	3500 PSI mated. 1000 PSI open face rated (hermetic)
Shock	300 g.
Vibration	37 g.
Durability	2000 mating cycles

Materials and Finishes	
Shells, Jam-nuts	316 SST, 304L SST or marine bronze
Coupling Nuts	Marine bronze, unplated
Contacts	Copper alloy, 50 μlnc gold plated, socket hood: stainless steel, passivated. Hermetic pin contacts: Nickel-Iron alloy per ASTM-F-30, 50 μlnc gold plated.
Insulators	High grade rigid dielectric
Contact Retention Clip	Beryllium copper alloy
Interfacial Seal, O-rings	Viton Rubber
Interfacial seal, rear grommet	Fluorosilicone rubber, blue
O-rings	Viton®

Dimensions in Inches (millimeters) are subject to change without notice.