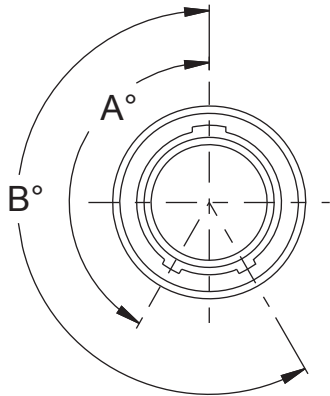
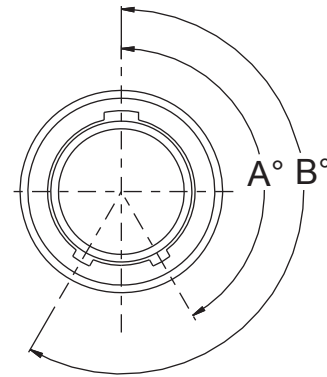


B



PLUG



RECEPTACLE

Plug Key Positions		
	A°	B°
A	150°	210°
B	75°	210°
C	95°	230°
D	140°	275°
E	75°	275°
F	95°	210°
G	75°	230°
H	95°	275°
J	140°	230°

Table II: Alternate Keyway Positions		
	A°	B°
A	150°	210°
B	75°	210°
C	95°	230°
D	140°	275°
E	75°	275°
F	95°	210°
G	75°	230°
H	95°	275°
J	140°	230°

Dimensions in Inches (millimeters) are subject to change without notice.