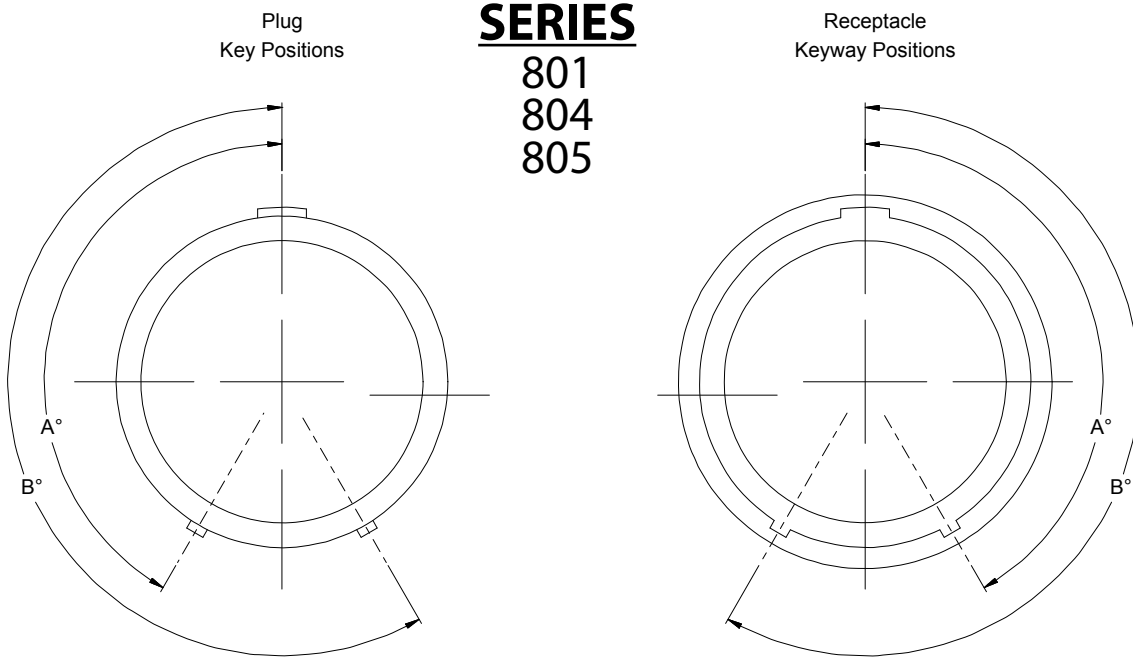




Series 80 Mighty Mouse Filter Connector Normal and Alternate Key Positions



Series 80 Mighty Mouse Alternate Key Positions			
Key Position	Notes	A°	B°
A	Normal	150°	210°
B	Alternate #1	75°	210°
C	Alternate #2	95°	230°
D	Alternate #3	140°	275°
E	Alternate #4	75°	275°
F	Alternate #5	95°	210°
U	Universal	-	-

Dimensions in inches (millimeters) and are subject to change without notice.

© 2014 Glenair, Inc.

Series 80 Mighty Mouse

U.S. CAGE Code 06324

Printed in U.S.A.