



Series 801 Mighty Mouse Plug Connector with Size #8 Quadrax, Twinax, Coax or Power Contacts

801-007 and 801-008 Ordering Information

K



Series 801 Plug Connectors with Size #8 Contacts

New Mighty Mouse contact arrangements accept size #8 contacts for power, Ethernet or high frequency coax applications. Series 801 Mighty Mouse plugs feature damage-resistant double-start ACME mating threads. Available with anti-decoupling feature or vibration-resistant ratchet mechanism, these plugs are supplied with power contacts (contact types P or S). Or, specify contact types A or B for connectors supplied less contacts for use with quadrax, twinax or coax contacts purchased separately.

Contacts are crimp type and are snap-in, rear-release with plastic extraction tool sold separately. Aluminum or stainless steel shell, thermoplastic insulators, fluorosilicone rubber seals.

How To Order						
Sample Part Number	801-007	-16	M	8-1	P	A
Series (See Table I)	801-007 = Plug with Banding Platform 801-008 = Plug with Accessory Thread					
Shell Style	-16 = Plug with Anti-Decoupling Spring -26 = Self-Locking Plug with Ratchet Mechanism					
Shell Material and Finish	M = Aluminum / Electroless Nickel RoHS Compliant NF = Aluminum / Cadmium with Olive Drab Chromate ZR = Aluminum / Zinc-Nickel with Non-Reflective Black Chromate RoHS Compliant MT = Aluminum / Nickel-PTFE RoHS Compliant Z1 = Stainless Steel / Passivated RoHS Compliant					
Shell Size - Insert Arrangement	8-1, 16-2, 16-208, 17-3, 17-205, 19-4, 19-201, 19-202, 21-5, 21-200 (See page K-5)					
Contact Type	Connector supplied with size #8 power contacts P = Pin with #8 Power Contacts S = Socket with #8 Power Contacts		Connector supplied without contacts (Order quadrax, twinax or coax contacts separately.) A = Pin Connector, Less Contacts B = Socket Connector, Less Contacts			
Shell Key Positions (See Table II)	A = Normal B = Pos. B C = Pos. C D = Pos. D E = Pos. E F = Pos. F					

Table I: Series	
801-007 Plug with Banding Platform	801-008 Plug with Accessory Thread

Table II: Shell Key Positions			
Position	A°	B°	
A	150°	210°	
B	75°	210°	
C	95°	230°	
D	140°	275°	
E	75°	275°	
F	95°	210°	

Dimensions in Inches (millimeters) are subject to change without notice.

Series 801 Mighty Mouse Plug Connector with Size #8 Quadrax, Twinax, Coax or Power Contacts

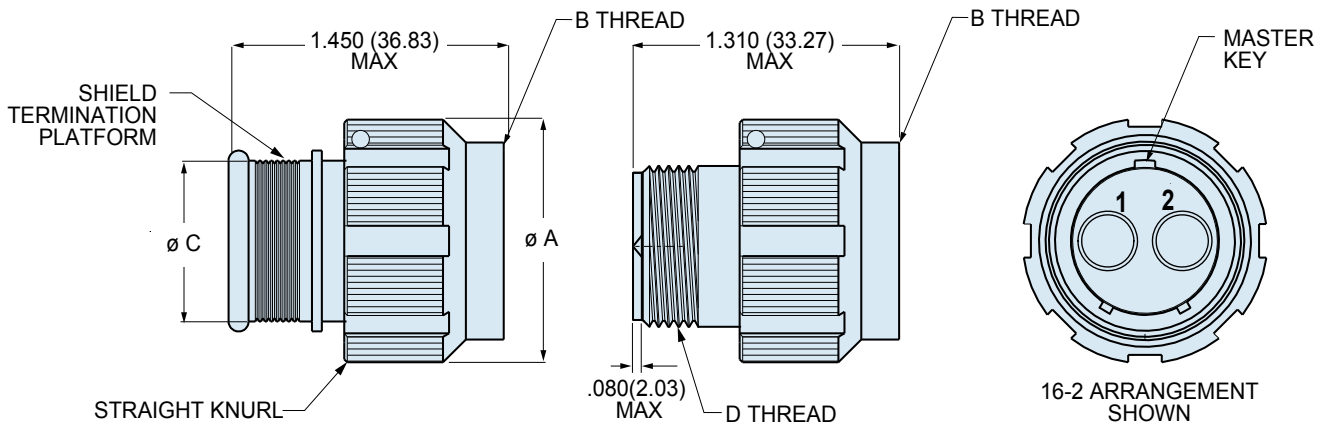
801-007 and 801-008 Dimensions



Mighty Mouse
with #8 Contacts

Plug with anti-decoupling or self-locking mechanism - shell style 16/26

K



Integral Band Platform
801-007

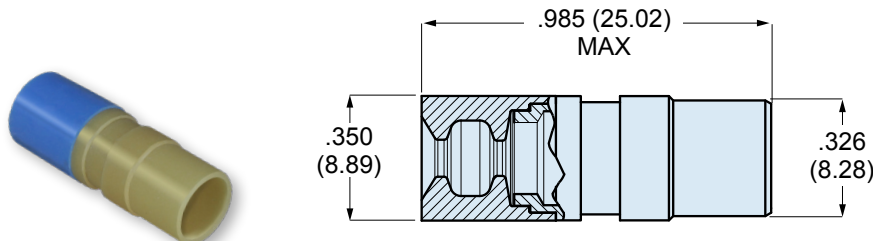
Accessory Thread
801-008

Dimensions								
Shell Size.	Style 16		Style 26		B Thread	Ø C		D Thread UNEF-2A
	Ø A		Ø A			In.	mm.	
	In.	mm.	In.	mm.				
8	.750	19.05	.830	21.59	.5000-.05P-.1L-2B	.445	11.30	.5000-28
16	1.240	31.50	1.340	34.04	1.000-.1P-.2L-2B	.805	20.45	.9375-20
17	1.300	33.02	1.400	35.56	1.062-.1P-.2L-2B	.850	21.59	.9375-20
19	1.400	35.56	1.500	38.10	1.1875-.1P-.2L-DS-2B	1.003	25.48	1.0625-18
21	1.550	39.37	1.650	41.91	1.3125-.1P-.2L-2B	1.110	28.19	1.1875-18

Sealing Boot

Sealing boot provides wire seal. Slide boot onto wire before terminating contact. After contact is installed in connector, slide boot forward into connector grommet to seal the contact cavity. "F" suffix added on contact part number specifies contact supplied with sealing boot P/N 859-042-03.

Wire Dia. (in.)	Wire Dia. (mm.)	Part Number
.170 - .205	4.3 - 5.2	859-042-03



Dimensions in Inches (millimeters) are subject to change without notice.