

Mighty Mouse Connectors with Size #8 Quadrax, Twinax, Coax or Power Contacts

Size #8 Concentric Twinax Contacts 853-003 and 853-004



Mighty Mouse with #8 Contacts

Size #8 concentric twinax contacts for MIL-STD-1553 databus



Fig. 1
Pin Contact
853-003-08-625



Fig. 2
Socket Contact
853-004-08-628



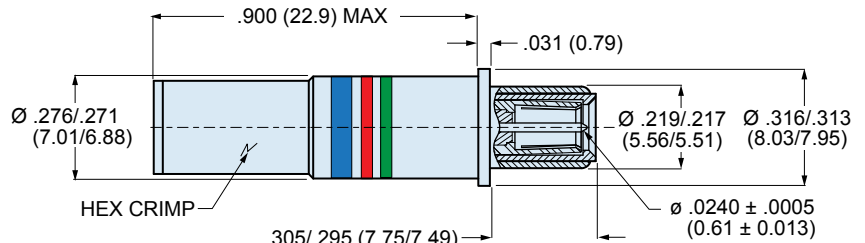
Fig. 3
Heatshrink Boot
(Supplied with Contact)



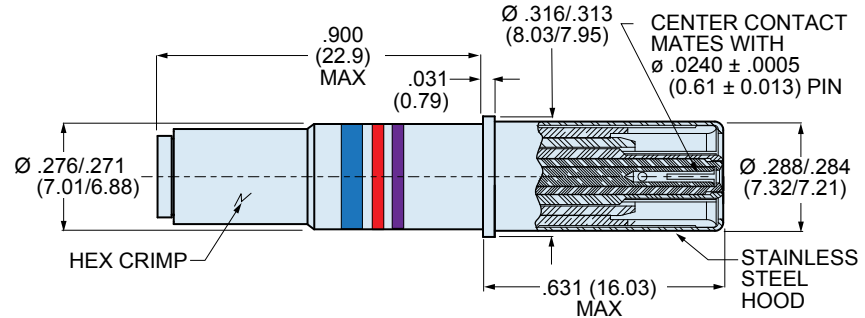
Fig. 4
Sealing Boot
859-042-01
(Not supplied with contact.
Order separately)

Concentric twinax contacts accept M17/176-0002 shielded twisted pair databus cable. These snap-in, rear release contacts fit Glenair Series 80 Mighty Mouse connectors and Glenair MIL-DTL-38999 Series I, III and IV connectors with size #8 cavities. Crimp termination. Gold-plated copper alloy, FEP insulator. Supplied unassembled with heatshrink boot (fig.3). Order sealing boot separately (fig.4). 1 A current rating, 500 Vac. SAE AS39029 qualified.

Fig.	Description	Cable Accommodation	Part Number	AS39029 Part Number	Color Bands		
					1st	2nd	3rd
Fig.1	Pin	M17/176-00002	853-003-08-625	M39029/113-625	Blu	Red	Grn
Fig.2	Socket	M17/176-00002	853-004-08-628	M39029/114-628	Blu	Red	Vio
Fig.4	Sealing Boot	M17/176-00002	859-042-01				



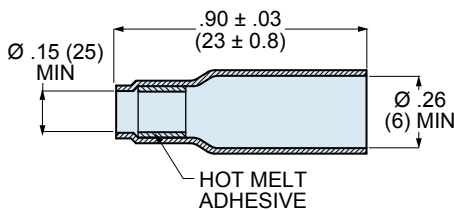
Pin Contact 853-003-08-625



Socket Contact 853-004-08-628

Heatshrink Boot

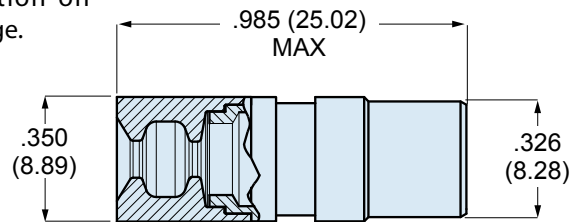
Supplied with contact. Slide onto cable before terminating contact. Slide onto contact after the cable is terminated. Apply heat to shrink the boot and melt the adhesive. Install contact into connector.



Sealing Boot

Sealing boot is ordered separately. Slide boot onto wire before terminating contact. After contact is installed in connector, slide boot forward into connector grommet to seal the contact cavity. Additional information on sealing boot is on the next page.

Wire Dia. (in.)	Wire Dia. (mm.)	Part Number
.090 - .130	2.3 - 3.3	859-042-01
.130 - .170	3.3 - 4.3	859-042-02
.170 - .205	4.3 - 5.2	859-042-03



Dimensions in Inches (millimeters) are subject to change without notice.

K