

# Mighty Mouse Connectors with Size #8 Quadrax, Twinax, Coax or Power Contacts

858-003 and 858-004 Size #8 El Ochito® Contacts for CAT 6a Cable



Mighty Mouse with #8 Contacts

## Size #8 El Ochito® contacts for 10g Base-T Cat 6a ethernet 4 pair cable



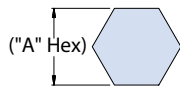
**Fig. 1**  
Pin Contact  
858-003



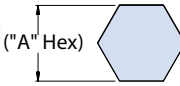
**Fig. 2**  
Socket Contact  
858-004



**Fig. 3**  
Sealing Boot  
687-643



858-003

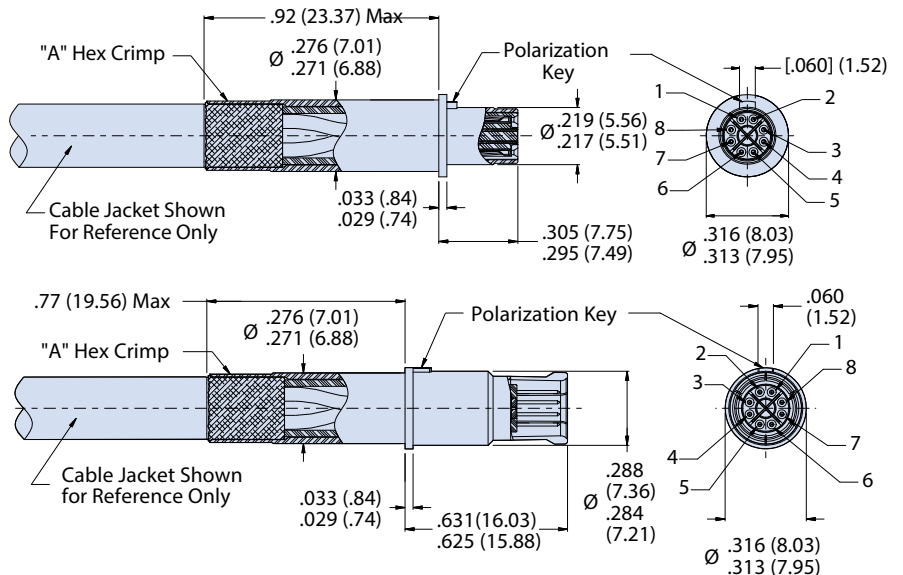


858-004

El Ochito® contacts accept PIC E6A3826 cable. These snap-in, rear release contacts fit Glenair Series 80 Mighty Mouse connectors and Glenair MIL-DTL-38999 Series I, III and IV connectors with size #8 cavities. Crimp termination. Gold-plated copper alloy, Fluoropolymer insulator. 100 Ohms nominal, 500 Vrms DWV, 5000 MegOhms min at 200 VDC. Supplied unassembled. Sealing boot can be ordered with contact or separately.

| Fig.  | Description  | Cable Accommodation | Part Number Only | Part Number Contact and Sealing Boot |
|-------|--------------|---------------------|------------------|--------------------------------------|
| Fig.1 | Pin          | PIC E6A3826         | 858-003-01       | 858-003-01F                          |
| Fig.2 | Socket       | PIC E6A3826         | 858-004-01;      | 858-004-01F                          |
| Fig.3 | Sealing Boot | PIC E6A3826         | 687-643-8-2      | 687-643-8-2                          |

### Fully Assembled Contact Shown for Reference Only



### Contact Removal Tool

Plastic tool extracts wired contact from connector. First, remove sealing boot, then insert tool from rear of connector.

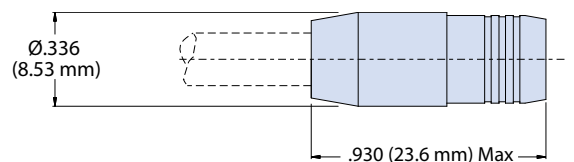
| Size | Part Number | Military Part Number |
|------|-------------|----------------------|
| #8   | 859-049     | M81969/14-12         |



### Sealing Boot

If sealing boot is used, slide boot onto wire before terminating contact. After contact is installed in connector, slide boot forward into connector grommet to seal the contact cavity.

| Ref Cable Dia. (in.) | Ref. Cable Dia. (mm.) | Part Number |
|----------------------|-----------------------|-------------|
| .220                 | 5.59                  | 687-643-8-2 |



Dimensions in Inches (millimeters) are subject to change without notice.

Rev. 08.04.15

K



# Mighty Mouse Connectors with Size #8 Quadrax, Twinax, Coax or Power Contacts

## Size #8 El Ochito Contacts for CAT 6a Cable

K

| Material and Finish                                       |   |
|---|---|
| Inner Contact, Outer Contact, Inner Ferrule, Crimp Sleeve | Copper alloy, 50 microinches gold over nickel |
| Insulator   | Fluoropolymer                                 |
| Sealing Boot Rigid Dielectric                             | Ultem   |
| Sealing Boot Grommet                                      | Fluorosilicone                                |

| Specifications                  |                         |
|---------------------------------|-------------------------|
| Current Rating                  | 1 A                     |
| Insulation Resistance           | 5000 Meg Ohms minimum   |
| Dielectric Withstanding Voltage | 500Vrms Min @ sea Level |
| Temperature Range               | -55° C to +175° C       |
| Durability                      | >500 cycles             |
| Corrosion                       | 48 Hrs Salt Spray       |
| Vibration                       | IAW AS39029/113         |
| Thermal Shock                   | -55° C to +175° C       |

### Termination tools for size #8 coax contacts for PIC E6A3826 cable



**A** M22520/2-01 crimper for inner contact. Requires **B** positioner, ordered separately. Length is 6.75 inches, weight is approx. 10 oz.

**B** Positioner, Daniels P/N K1906. Use with **A** crimper, ordered separately. Positioner holds contact at proper depth.

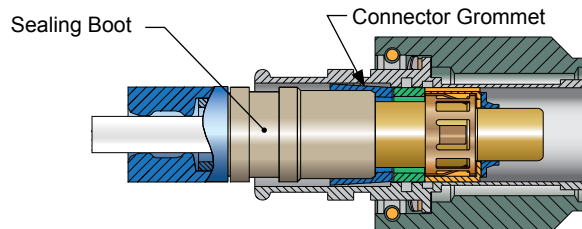
**C** Parallel action tool terminates outer contact. Use with **D** hex crimp dies. 11 inches OAL, 2.0 pounds. Anodized aluminum frame, steel mechanism, plastic handles. Accepts all M22520/5 die sets.

**D** Die set for terminating outer contact and cable shield. Two closures— .231(5.87) hex closure for cable shield and Requires **C** crimp tool sold separately. Hardened steel, black oxide finish.

| Figure | Part Number | Military Part Number | Daniels Part Number |
|--------|-------------|----------------------|---------------------|
| A      | 809-015     | M22520/2-01          | AFM8                |
| B      | 859-101     | None                 | K1906               |
| C      | 809-129     | M22520/5-01          | HX4                 |
| D      | 859-047     | M22520/5-45          | N/A                 |

### About Sealing Boots

The sealing boot is necessary to prevent moisture and contamination from penetrating the connector. The sealing boot is ordered separately. The boot consists of a rigid dielectric sleeve and a fluorosilicone rubber grommet. Slide boot onto cable before terminating contact. After the contact is installed into connector, seat the boot into connector grommet.



Dimensions in Inches (millimeters) are subject to change without notice.