

Series 806 Mil-Aero Connectors

443V*039 Metal EMI/RFI Band-in-a-Can Backshell Cable Clamp



EMI shielding. Band-Master ATS® shield termination. Self-locking. Environmental. Spin coupling EMI/RFI backshell with anti-decoupling ratchet prevents loosening under vibration. Fits Series 806 connectors. Terminate cable shield to backshell with **Band-Master ATS®** stainless steel band, supplied with backshell. Cable clamp grommet provides environmental seal to cable jacket. Straight, 45° or 90° cable exit. Aluminum or stainless steel.

Features

- EMI/RFI
- Self-locking spin coupling
- Supplied with MicroBand shield termination band
- Environmental

Specifications

- Operating temperature:
codes ME, MT and Z1: -65°C to +200°C
codes ZR, NF, NFP: -65°C to +175°C
- Shell conductivity:
aluminum versions: 2.5 milliohms max.
Stainless steel: 5 milliohms max.
- Salt spray (corrosion)
Code ME, NFP: 96 hours
Code NF, ZR, MT, Z1: 1000 hours
- Vibration: SAE AS85049 Category 3B
- Shock: SAE AS85049 Category 3B

Construction

- Coupling nut, adapter, saddle bars, cable clamp: aluminum alloy or 300 series stainless steel. See material/finish options in How to Order table for options.
- O-rings, grommet: silicone
- Hardware: 300 series stainless steel
- Anti-decoupling device: corrosion-resistant material
- Band strap: stainless steel, passivated

How To Order					
SAMPLE PART NUMBER	443VS039	MT	08	01	-2
Product	443VS039 = Straight Backshell 443VH039 = 45° Backshell 443VJ039 = 90° Backshell				
Material/ Finish	ME = Aluminum, Electroless Nickel MT = Aluminum, Ni/PTFE ZR = Aluminum, Black Zinc-Nickel NF = Aluminum, Olive Drab Cadmium NFP = Aluminum, Olive Drab Cadmium, nickel-plated shield termination area, polysulfide barrier Z1 = Stainless Steel, Passivated				
Shell Size	07 08 09 10 11 12 14 16 18 20 22 24				
Cable Entry Code	See Table 1 for cable entry sizes				
Adapter Length	Omit for 45° and 90° versions. Applicable to 443VS039 only. Length in ½ inch increments. 2 = 1 inch (min. for Style 1) 3 = 1½ inches 4 = 2 inches (min. for Style 2) 5 = 2½ inches 6 = 3 inches				

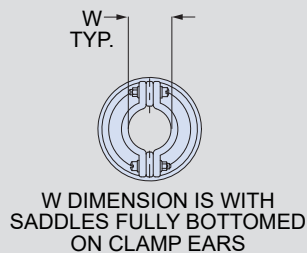
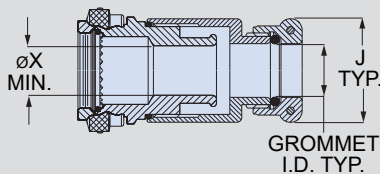
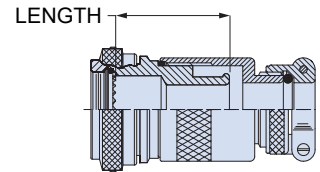


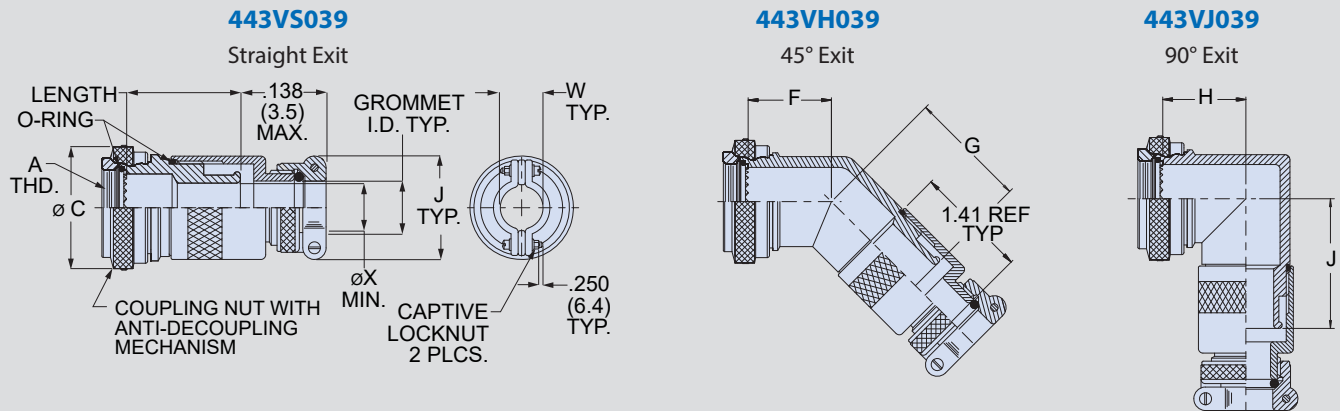
Table 1: Cable Entry

Cable Entry Code	Grommet Diameter		J Max.	W Closed	ø X Min.
	Min.	Max.			
01	.125 (3.18)	.250 (6.35)	1.05 (26.67)	.264 (6.71)	.25 (6.35)
02	.188 (4.78)	.375 (9.52)	1.20 (30.48)	.344 (8.74)	.37 (9.40)
03	.312 (7.92)	.438 (11.13)	1.30 (33.02)	.460 (11.68)	.43 (10.92)
04	.343 (8.71)	.500 (12.70)	1.44 (36.58)	.545 (13.84)	.50 (12.70)
05	.438 (11.13)	.625 (15.88)	1.69 (42.93)	.698 (17.73)	.62 (15.75)
06	.562 (14.27)	.750 (19.05)	1.77 (44.96)	.780 (19.81)	.75 (19.05)
07	.688 (17.48)	.875 (22.23)	2.12 (53.85)	.950 (24.13)	.87 (22.10)
08	.812 (20.62)	1.000 (25.40)	2.50 (63.50)	1.015 (25.78)	1.00 (25.40)
09	.938 (23.83)	1.125 (28.58)	2.62 (66.55)	1.187 (30.15)	1.12 (28.45)
10	1.062 (26.97)	1.250 (31.75)	2.68 (68.07)	1.220 (30.99)	1.25 (31.75)
11	1.125 (28.58)	1.375 (34.92)	3.00 (76.20)	1.500 (38.10)	1.38 (35.05)
12	1.250 (31.75)	1.500 (38.10)	3.50 (88.90)	1.625 (41.28)	1.50 (38.10)

Series 806 Mil-Aero Connectors



443V*039 Metal EMI/RFI Band-in-a-Can Backshell Cable Clamp

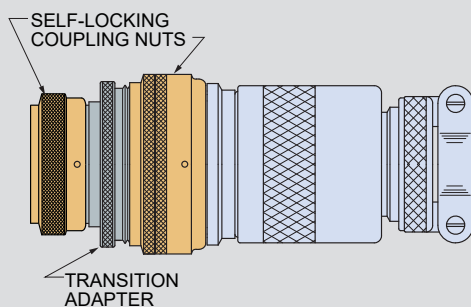


Shell Size	A ISO Metric Thread	ØC Max.	F Max. ⁽¹⁾	G Max.	H Max. ⁽¹⁾	J Max.	Max. Cable Entry Code ⁽¹⁾
07	M8 x 1.0-6H	.640 (16.26)	.580 (14.73)	1.030 (26.16)	.830 (21.08)	1.180 (29.97)	01
08	M10 x 1.0-6H	.692 (17.58)	.630	1.030 (26.16)	.880 (22.35)	1.180 (29.97)	01
09	M12 x 1.0-6H	.786 (19.96)	.640 (16.26)	1.030 (26.16)	.880 (22.35)	1.210 (30.73)	01
10	M14 x 1.0-6H	.883 (22.43)	.670 (17.02)	1.060 (26.92)	.930 (23.62)	1.260 (32.00)	02
11	M15 x 1.0-6H	.911 (23.14)	.680 (17.27)	1.090 (27.69)	.980 (24.89)	1.290 (32.77)	03
12	M17 x 1.0-6H	1.002 (25.45)	.700 (17.78)	1.100 (27.94)	.990 (25.15)	1.320 (33.53)	04
14	M19 x 1.0-6H	1.066 (27.08)	.720 (18.29)	1.100 (27.94)	.990 (25.15)	1.350 (34.29)	04
16	M22 x 1.0-6H	1.196 (30.38)	.760 (19.30)	1.130 (28.70)	1.050 (26.67)	1.410 (35.81)	05
18	M25 x 1.0-6H	1.311 (33.30)	.790 (20.07)	1.170 (29.72)	1.120 (28.45)	1.470 (37.34)	06
20	M28 x 1.0-6H	1.430 (36.32)	.830 (21.08)	1.200 (30.48)	1.180 (29.97)	1.530 (38.86)	07
22	M31 x 1.0-6H	1.548 (39.32)	.860 (21.84)	1.240 (31.50)	1.240 (31.50)	1.590 (40.39)	08
24	M34 x 1.0-6H	1.696 (43.08)	.910 (23.11)	1.290 (32.77)	1.300 (33.02)	1.670 (42.42)	09

(1) If the maximum cable entry code is exceeded, the backshell will be a "Style 2" with a transition adapter as shown below. The F and H dimensions will be increased by 0.9 inch (22.9 mm.) maximum.

STYLE 2 ADAPTERS FOR LARGE DIAMETER CABLES

If the cable entry diameter exceeds the maximum cable entry code shown in the above table, the adapter will be supplied with a **transition adapter**. On straight exit backshells, the transition adapter does not affect the length. On 45° and 90° versions the transition adapter adds 0.9 inch (22.9 mm) maximum to the backshell length.



APPLICATION NOTE: SELECTIVE PLATED CADMIUM WITH POLYSULFIDE BARRIER

Olive drab (OD) cadmium (Cd) over electroless nickel (EN) is available in two versions. The standard version, designated as Glenair code **NF**, is a uniform Cd/EN finish over the entire part. A second version, designated as Glenair code **NFP**, is selectively plated with electroless nickel in the knurled shield attachment area. A polysulfide barrier separates the electroless nickel area from the cadmium plated area. This selectively plated version prevents galvanic corrosion that could potentially occur if nickel-coated shield braid is attached to a cadmium plated surface.

