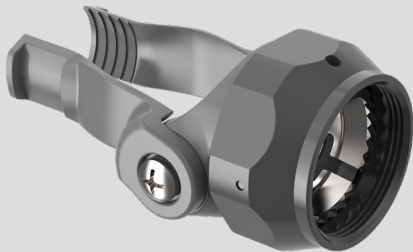


Series 806 Mil-Aero Connectors

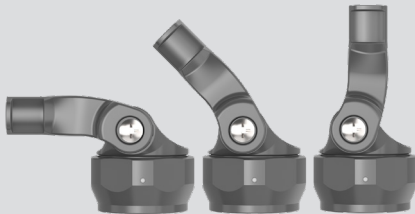


627V234 Composite Swing-Arm® Flex Strain Relief with EMI Adapter



Drop-In EMI Adapter

Terminate cable braid shield to adapter with Band-Master ATS® strap. Slots in adapter are used for individual shield pigtails.



Straight, 45° or 90°

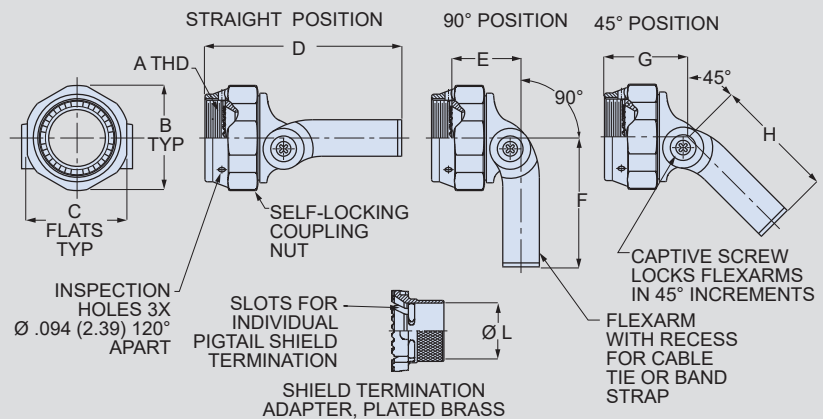
Loosen screws and re-position flex arms for optimum wire routing.

Construction

- Body, Coupling Nut, Flex Arms: high grade engineering thermoplastic, black
- Hardware: stainless steel, passivated
- Anti-Rotation Device: high grade engineering thermoplastic

Lightweight. Low Profile. Composite. Self-Locking. EMI. Flexible strain relief adjusts to various wire bundle sizes. Attach cable ties or band to flex arms for strain relief. Terminate cable shields to plated brass EMI adapter with Band-Master ATS® banding strap. Straight, 45° or 90° cable exit. Composite thermoplastic body, coupling nut and flex arms. Compatible with Glenair Series 806 micro miniature circular connectors.

| How To Order | | | |
|--------------|-----------------------------------|-------------------------|-------------------------------|
| Shell Size | Shield Termination Adapter Finish | | |
| | Electroless Nickel Code BM | Nickel-PTFE Code BMT | Olive Drab Cadmium Code BN |
| 9 | 627V234BM09 | 627V234BMT09 | 627V234BN09 |
| 10 | 627V234BM10 | 627V234BMT10 | 627V234BN10 |
| 11 | 627V234BM11 | 627V234BMT11 | 627V234BN11 |
| 12 | 627V234BM12 | 627V234BMT12 | 627V234BN12 |
| 14 | 627V234BM14 | 627V234BMT14 | 627V234BN14 |
| 16 | 627V234BM16 | 627V234BMT16 | 627V234BN16 |
| 18 | 627V234BM18 | 627V234BMT18 | 627V234BN18 |
| 20 | 627V234BM20 | 627V234BMT20 | 627V234BN20 |
| 22 | 627V234BM22 | 627V234BMT22 | 627V234BN22 |
| 24 | 627V234BM24 | 627V234BMT24 | 627V234BN24 |



| Shell Size | A ISO Metric Thd | øB Max. | C Max. | D Max. | E Max. | F Max. | G Max. | H Max. | ø L |
|------------|---------------------|---------------|---------------|--------------|--------------|--------------|-------------|--------------|--------------|
| 9 | M12 x 1.0-6H | .812 (20.62) | .750 (19.05) | 1.77 (44.96) | .73 (18.54) | 1.09 (27.69) | .73 (18.54) | 1.08 (27.43) | .178 (4.52) |
| 10 | M14 x 1.0-6H | .938 (23.83) | .875 (22.23) | 1.77 (44.96) | .73 (18.54) | 1.12 (28.45) | .70 (17.78) | 1.11 (28.19) | .295 (7.49) |
| 11 | M15 x 1.0-6H | .938 (23.83) | .875 (22.23) | 1.77 (44.96) | .73 (18.54) | 1.12 (28.45) | .70 (17.78) | 1.11 (28.19) | .305 (7.75) |
| 12 | M17 x 1.0-6H | 1.125 (28.58) | 1.000 (25.40) | 2.05 (52.07) | .84 (21.34) | 1.41 (35.81) | .81 (20.57) | 1.34 (34.04) | .394 (10.01) |
| 14 | M19 x 1.0-6H | 1.125 (28.58) | 1.000 (25.40) | 2.05 (52.07) | .84 (21.34) | 1.41 (35.81) | .81 (20.57) | 1.34 (34.04) | .472 (11.99) |
| 16 | M22 x 1.0-6H | 1.250 (31.75) | 1.125 (28.58) | 2.05 (52.07) | .84 (21.34) | 1.47 (37.34) | .75 (19.05) | 1.42 (36.07) | .565 (14.35) |
| 18 | M25 x 1.0-6H | 1.375 (34.92) | 1.250 (31.75) | 2.26 (57.40) | .94 (23.88) | 1.65 (41.91) | .88 (22.35) | 1.54 (39.12) | .658 (16.71) |
| 20 | M28 x 1.0-6H | 1.500 (38.10) | 1.375 (34.92) | 2.26 (57.40) | .94 (23.88) | 1.71 (43.43) | .81 (20.57) | 1.63 (41.40) | .777 (19.74) |
| 22 | M31 x 1.0-6H | 1.625 (41.28) | 1.500 (38.10) | 2.72 (69.09) | 1.04 (26.42) | 2.09 (53.09) | .94 (23.88) | 1.97 (50.04) | .873 (22.17) |
| 24 | M34x 1.0-6H | 1.750 (44.45) | 1.625 (41.28) | 2.72 (69.09) | 1.04 (26.42) | 2.13 (54.10) | .90 (22.86) | 2.02 (51.31) | .997 (25.32) |