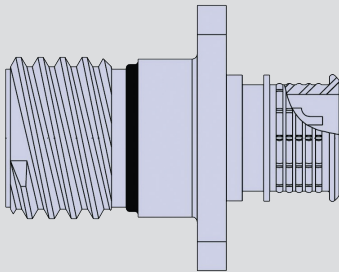


## 806-100 Solder Cup with Accessory Thread or Banding Porch Rear Attachment Receptacle



Lightweight aluminum Hermetic. with higher current rating. 806-100 aluminum hermetic receptacles are lighter than stainless steel glass-to-metal hermetic connectors. Copper alloy contacts have lower resistance and higher current rating than iron alloy contacts used in standard hermetics. A signature sealing process delivers reliable hermetic performance at extreme temperatures. Hermeticity is 1E-7 cm<sup>3</sup>/sec at 1 ATM pressure differential. Connector provides solder cup termination with accessory threads or banding porch. Ideal for harsh environment aerospace applications subject to severe wind, moisture and vibration.

How To Order	
Sample Part Number	806-100 -07 MA 8-7 P -B A
Series	806-100 Code Red Receptacle with Accessory Thread or Banding Porch options with Solder Cup Termination
Mounting Type	02 = Box Mount 13 = Weld Mount 07 = Jam-Nut Mount
Material/Finish	See Material/Finish table
Shell Size - Insert Arr.	See Insert Arrangement table
Contact Type	P = Pin S = Socket
Rear Attachment Style	B = Banding Porch (Terminate Shield With Glenair Nano Band) T = Accessory Threads
Polarization	A, B, C, D, E or F

Material/Finish		
Sym	Material/Finish	Temp. Range
AB	Marine Bronze, None (Clean Only)	-65°C to +200°C
MA	Aluminum Alloy, Electroless Nickel, Matte Finish	
ME	Aluminum Alloy, Electroless Nickel	
NF	Aluminum Alloy, Cad/O.D. Over Electroless Nickel	-65°C to +175°C
ZN	Aluminum Alloy, Zinc Ni, Olive Drab	
ZR	Aluminum Alloy, Zinc Ni, Black (Tri-Valent Cr)	

Shell Size - Insert Arrangement																	
Contact Layout	Number of Contacts					Contact Layout	Number of Contacts					Contact Layout	Number of Contacts				
	22HD	20HD	16	12	8		22HD	20HD	16	12	8		22HD	20HD	16	12	8
7-3	3					22-69	69				16-2					2	
8-4	4					24-92	92				18-3					3	
8-7	7					8-1		1			20-4					4	
9-11	11					10-2		2			22-5					5	
10-15	15					11-4		4			24-8					8	
11-19	19					12-5		5			10-8A	6		2			
12-26	26					14-7		7			11-13	11		2			
14-39	39					16-12		12			12-27	26		1			
16-60	60					18-15		15			14-21	17		4			
18-85	85					20-22		22			16-41	37		4			
20-110	110					22-24		24			18-59	55		4			
22-140	140					24-35		35			11-14	13			1		
24-186	186					9-1			1		14-22	20			2		
8-3		3				12-2			2		12-14	12			2		
9-5		5				14-3			3		16-42	40			2		
10-8		8				16-4			4		18-62	60			2		
11-10		10				16-7			7		14-20A	19				1	
12-15		15				18-8			8		16-22	20				2	
14-20		20				20-11			11		18-21	18				3	
16-31		31				22-13			13		20-28	24				4	
18-41		41				24-19			19		22-44	40				4	
20-55		55				10-1			1		24-97	93				4	

### NOTES

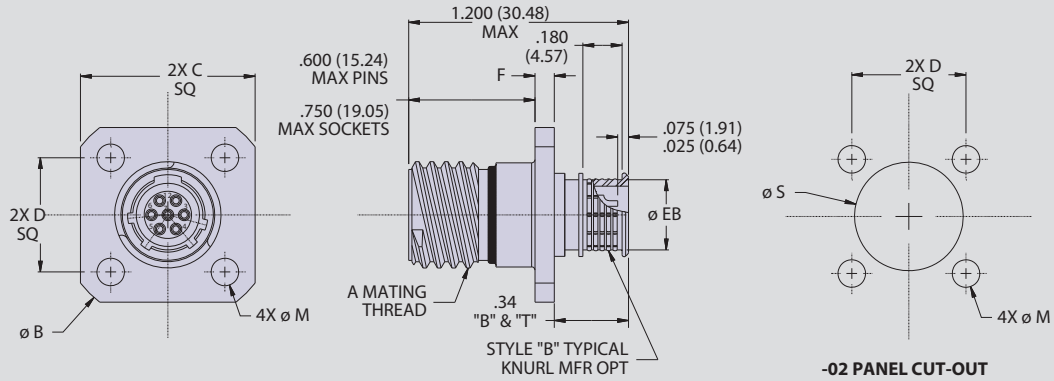
- Material / finish:
  - Shells & jam-nut: al alloy / per p/n dev
  - Insulator: high grade rigid dielectric / N.A.
  - O-ring & seals: fluorosilicone / N.A.
  - Contacts: copper alloy / gold plated
  - Sealing compound: polymer encapsulant
- Performances:
  - Operation temperature range: see Material/Finish table
  - Leak rate: 1 x 10<sup>-7</sup> cc/s max helium, 1 atm.
  - I.R.: 5,000 megohms min at room temperature
  - DWV (contact size):
    - 22HD - 1300 VAC
    - 20HD - 1800 VAC
    - Others - consult factory
- Assembly to be identified with glenair name and/or cage code, part number, and date code (space permitting).
- 806-067 Receptacles mate with Glenair 806 style plug connectors with same size, arrangement, polarization, and opposite contact gender.
- This connector meets all performance of Glenair product spec 806-014 and applies to all finishes.

# SERIES 806 Mil-Aero Code Red Hermetic Connectors



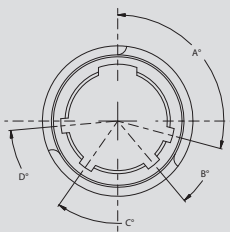
## 806-100 Solder Cup with Accessory Thread or Banding Porch Rear Attachment Receptacle

### 806-100-02 CODE RED BOX MOUNT HERMETIC RECEPTACLE



Dimensions								
Shell Sizes	"A" Thread Mating	"Ø B" Max Flange	"C" Square Max Flange Flats	"D" Square Bsc Mounting Holes	"Ø Eb" ±.005 Banding Porch	"F" Max Flange	"Ø M" Thru Mtg Holes	"Ø S" Thru
7	.4375-0.67P-.2L-TS-2A	0.968 (24.59)	0.750 (19.05)	0.469 (11.91)	0.265 (6.73)	0.100 (2.54)	0.128 (3.25)	0.445 (11.30)
8	.5000-.067P-.2L-TS-2A	1.040 (26.42)	0.822 (20.88)	0.531 (13.49)	0.327 (8.31)			0.509 (12.93)
9	.5625-.067P-.2L-TS-2A	1.130 (28.70)	0.885 (22.48)	0.594 (15.09)	0.406 (10.31)			0.577 (14.66)
10	.6250-.067P-.2L-TS-2A	1.174 (29.82)	0.913 (23.19)	0.625 (15.88)	0.484 (12.29)			0.645 (16.38)
11	.6875-.067P-.2L-TS-2A	1.240 (31.50)	0.960 (24.38)	0.670 (17.02)	0.524 (13.31)			0.712 (18.08)
12	.7500-.067P-.2L-TS-2A	1.354 (34.39)	1.040 (26.42)	0.765 (19.43)	0.603 (15.32)			0.768 (19.51)
14	.8750-.067P-.2L-TS-2A	1.510 (38.35)	1.133 (28.78)	0.859 (21.82)	0.681 (17.30)			0.890 (22.61)
16	1.0000-.067P-.2L-TS-2A	1.620 (41.15)	1.227 (31.17)	0.938 (23.83)	0.782 (19.86)			1.015 (25.78)
18	1.1250-.067P-.2L-TS-2A	1.784 (45.31)	1.320 (33.53)	1.016 (25.81)	0.899 (22.83)			1.125 (28.58)
20	1.2500-.067P-.2L-TS-2A	1.910 (48.51)	1.444 (36.68)	1.109 (28.17)	1.043 (26.49)	0.125 (3.18)	0.154 (3.91)	1.275 (32.39)
22	1.3750-.067P-.2L-TS-2A	2.083 (52.91)	1.570 (39.88)	1.203 (30.56)	1.155 (29.34)	0.125 (3.18)	0.154 (3.91)	1.400 (35.56)
24	1.5000-.067P-.2L-TS-2A	2.200 (55.88)	1.696 (43.08)	1.312 (33.32)	1.273 (32.33)	0.125 (3.18)	0.154 (3.91)	1.525 (38.73)

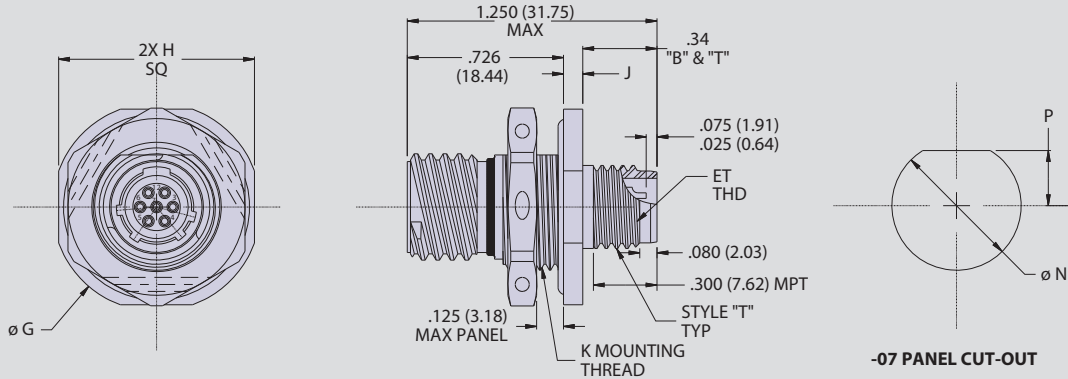
### Polarization Key Code



POS	A°	B°	C°	D°
A	105°	140°	215°	265°
B	102°	170°	248°	305°
C	80°	150°	230°	295°
D	68°	140°	205°	275°
E	64°	155°	234°	304°
F	72°	120°	200°	298°

SERIES 806 CODE RED CONNECTORS

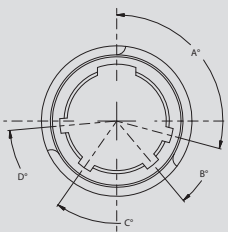
### 806-100-07 CODE RED JAM-NUT MOUNT HERMETIC RECEPTACLE



Dimensions								
Shell Sizes	"A" Thread Mating	"ET" Accessory Threads -0.100R	"Ø G" Max Flange	"H" Square Max Flange Flats	"J" Max Flange	"K" Thread Mounting	"Ø N" +.005/- .000 Mounting Hole	"P" +.005/- .000 Mounting Flat
7	.4375-.067P-.2L-TS-2A	M8 X 1.0-6g	0.848 (21.54)	0.908 (23.06)	0.100 (2.54)	M13 X 1-6g-.100R	0.522 (13.26)	0.224 (5.69)
8	.5000-.067P-.2L-TS-2A	M10 X 1.0-6g	0.980 (24.89)	0.920 (23.37)		M15 X 1-6g .100R	0.601 (15.27)	0.256 (6.50)
9	.5625-.067P-.2L-TS-2A	M12 x 1.0-6g	1.040 (26.42)	0.980 (24.89)		M16 X 1-6g .100R	0.640 (16.26)	0.287 (7.29)
10	.6250-.067P-.2L-TS-2A	M14 X 1.0-6g	1.110 (28.19)	1.050 (26.67)		M18 X 1-6g .100R	0.719 (18.26)	0.318 (8.08)
11	.6875-.067P-.2L-TS-2A	M15 X 1.0-6g	1.160 (29.46)	1.110 (28.19)		M19 X 1-6g .100R	0.759 (19.28)	0.350 (8.89)
12	.7500-.067P-.2L-TS-2A	M17 X 1.0-6g	1.230 (31.24)	1.170 (29.72)		M21 X 1-6g .100R	0.837 (21.26)	0.381 (9.68)
14	.8750-.067P-.2L-TS-2A	M19 X 1.0-6g	1.360 (34.54)	1.320 (33.53)		M24 X 1-6g .100R	0.955 (24.26)	0.443 (11.25)
16	1.0000-.067P-.2L-TS-2A	M22 X 1.0-6g	1.515 (38.48)	1.444 (36.68)		M27 X 1-6g .100R	1.073 (27.25)	0.505 (12.83)
18	1.1250-.067P-.2L-TS-2A	M25 X 1.0-6g	1.610 (40.89)	1.570 (39.88)		M30 X 1-6g .100R	1.192 (30.28)	0.568 (14.43)
20	1.2500-.067P-.2L-TS-2A	M28 X 1.0-6g	1.850 (46.99)	1.760 (44.70)		0.128 (3.25)	M34 X 1-6g .100R	1.349 (34.26)
22	1.3750-.067P-.2L-TS-2A	M31 X 1.0-6g	2.010 (51.05)	1.913 (48.59)	M37 X 1-6g .100R		1.467 (37.26)	0.693 (17.60)
24	1.5000-.067P-.2L-TS-2A	M34 X 1.0-6g	2.195 (55.75)	2.070 (52.58)	M41 X 1-6g .100R		1.624 (41.25)	0.755 (19.18)

SERIES 806 CODE RED CONNECTORS

#### Polarization Key Code



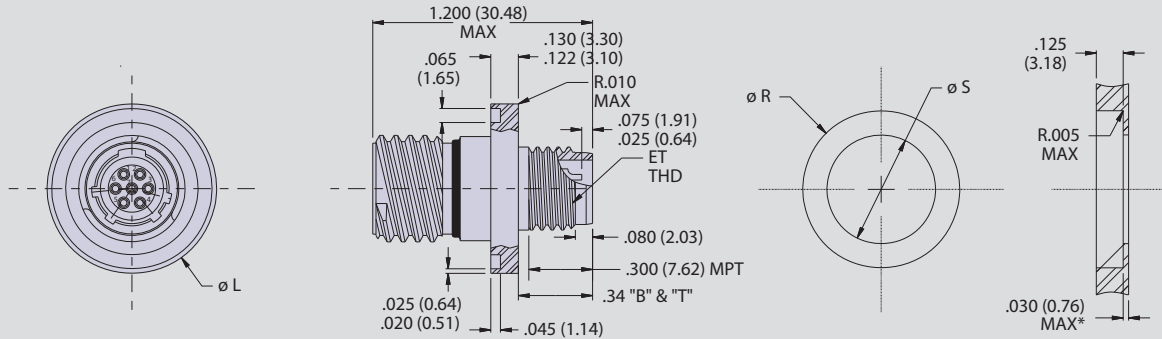
POS	A°	B°	C°	D°
A	105°	140°	215°	265°
B	102°	170°	248°	305°
C	80°	150°	230°	295°
D	68°	140°	205°	275°
E	64°	155°	234°	304°
F	72°	120°	200°	298°

# SERIES 806 Mil-Aero Code Red Hermetic Connectors



## 806-100 Solder Cup with Accessory Thread or Banding Porch Rear Attachment Receptacle

### 806-100-13 CODE RED WELD MOUNT HERMETIC RECEPTACLE



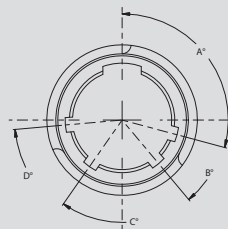
-13 PANEL CUT-OUT

\* IF THICKER THAN .030 COUNTERBORE IS REQUIRED FOR BACKSHELL NUT

#### Dimensions

Shell Sizes	"A" Thread Mating	"ET" Accessory Threads -0.100R	" $\phi L$ " $\pm .002$ Flange	" $\phi R$ " $\pm .002$ MTG Hole	" $\phi S$ " Thru
7	.4375-0.67P-.2L-TS-2A	M8 X 1.0-6g	0.725 (18.42)	0.730 (18.54)	0.445 (11.30)
8	.5000-.067P-.2L-TS-2A	M10 X 1.0-6g	0.788 (20.02)	0.793 (20.14)	0.509 (12.93)
9	.5625-.067P-.2L-TS-2A	M12 x 1.0-6g	0.912 (23.16)	0.917 (23.29)	0.577 (14.66)
10	.6250-.067P-.2L-TS-2A	M14 X 1.0-6g	0.975 (24.76)	0.980 (24.89)	0.645 (16.38)
11	.6875-.067P-.2L-TS-2A	M15 X 1.0-6g	1.038 (26.37)	1.043 (26.49)	0.712 (18.08)
12	.7500-.067P-.2L-TS-2A	M17 X 1.0-6g	1.100 (27.94)	1.105 (28.07)	0.768 (19.51)
14	.8750-.067P-.2L-TS-2A	M19 X 1.0-6g	1.225 (31.12)	1.230 (31.24)	0.890 (22.61)
16	1.0000-.067P-.2L-TS-2A	M22 X 1.0-6g	1.350 (34.29)	1.355 (34.42)	1.015 (25.78)
18	1.1250-.067P-.2L-TS-2A	M25 X 1.0-6g	1.475 (37.47)	1.480 (37.59)	1.125 (28.58)
20	1.2500-.067P-.2L-TS-2A	M28 X 1.0-6g	1.600 (40.64)	1.605 (40.77)	1.275 (32.39)
22	1.3750-.067P-.2L-TS-2A	M31 X 1.0-6g	1.725 (43.82)	1.730 (43.94)	1.400 (35.56)
24	1.5000-.067P-.2L-TS-2A	M34 X 1.0-6g	1.850 (46.99)	1.855 (47.12)	1.525 (38.73)

#### Polarization Key Code



POS	A°	B°	C°	D°
A	105°	140°	215°	265°
B	102°	170°	248°	305°
C	80°	150°	230°	295°
D	68°	140°	205°	275°
E	64°	155°	234°	304°
F	72°	120°	200°	298°