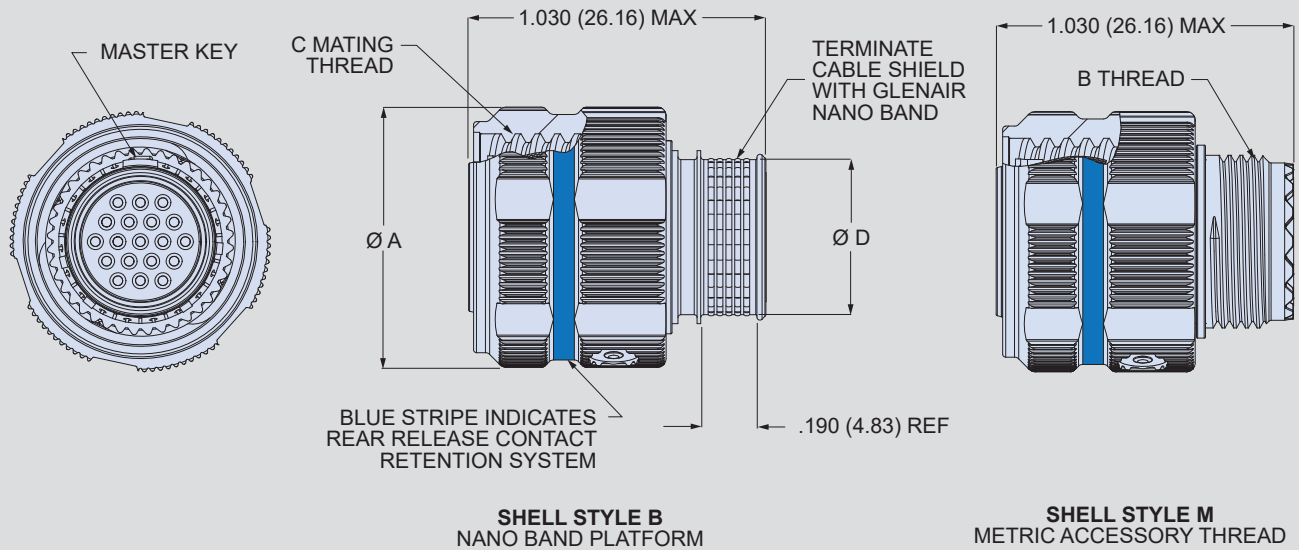


Series 806 Mil-Aero Connectors

806-012 Plug Connector



806-012 Plug Dimensions				
Shell Size	ØA Max	B Thread	C Mating Thread	ØD
7	.606 (15.39)	M8x1.0-6g-0.100R	.4375-.067P-.2L-TS-2B	.267 (6.78)
8	.676 (17.17)	M10x1.0-6g-0.100R	.5000-.067P-.2L-TS-2B	.327 (8.31)
9	.771 (19.58)	M12x1.0-6g-0.100R	.5625-.067P-.2L-TS-2B	.406 (10.31)
10	.832 (21.13)	M14x1.0-6g-0.100R	.6250-.067P-.2L-TS-2B	.484 (12.29)
11	.890 (22.61)	M15x1.0-6g-0.100R	.6875-.067P-.2L-TS-2B	.524 (13.31)
12	.950 (24.13)	M17x1.0-6g-0.100R	.7500-.067P-.2L-TS-2B	.603 (15.32)
14	1.110 (28.19)	M19x1.0-6g-0.100R	.8750-.067P-.2L-TS-2B	.681 (17.30)
16	1.170 (29.72)	M22x1.0-6g-0.100R	1.0000-.067P-.2L-TS-2B	.782 (19.86)
18	1.350 (34.29)	M25x1.0-6g-0.100R	1.1250-.067P-.2L-TS-2B	.899 (22.83)
20	1.470 (37.34)	M28x1.0-6g-0.100R	1.2500-.067P-.2L-TS-2B	1.043 (26.49)
22	1.600 (40.64)	M31x1.0-6g-0.100R	1.3750-.067P-.2L-TS-2B	1.155 (29.34)
24	1.710 (43.43)	M34x1.0-6g-0.100R	1.5000-.067P-.2L-TS-2B	1.273 (32.33)