

Series 806 Mil-Aero Connectors



806-037 Jam-Nut, Right-Angle PCB Receptacle Connectors

806-037 right angle panel mount jam-nut receptacles feature potted-in-place printed circuit board terminals and threaded holes for secure attachment to rigid or flex circuit boards. High temperature thermoplastic housing withstands soldering temperatures while reducing weight. Stainless steel threaded inserts simplify attachment to printed circuit boards. These high performance connectors are suitable for harsh environmental areas such as unpressurized aircraft zones subject to vibration, moisture, altitude, and temperature extremes.

Features

- Triple-start stub ACME mating thread
- 5 High density #22HD arrangements available for reduced size and weight
- Aerospace-grade materials, construction
- Threaded holes for secure attachment to rigid or flex circuits

Specifications

- Operating temperature:
Finishes ME, MT, Z1: -65°C to +200°C
Finishes NF, ZR: -65°C to +175°C
- Dielectric withstanding voltage #22HD contacts: 1300 VAC
- Mating durability: 500 cycles
- Mechanical shock: EIA-364-27, 300g.
- Vibration (sine): MIL-DTL-38999M, 60g.
- Vibration (random) EIA-364-28 Condition VI, Letter J, 43.92 Grms, +200°C
- High Impact shock: MIL-S-901 Grade A
- Humidity: EIA-364-31 Method 4
- Salt spray (dynamic): EIA-364-26, 500 hours (96 hours for nickel-plated versions)
- Fluid immersion: EIA-364-10
- Altitude immersion: EIA-364-03 75,000 feet altitude
- Indirect Lightning Strike: EIA-364-75 Type B Level 2 10kA Peak

Connector Construction

- Shell and jam-nut: aluminum or stainless steel
- Contact - copper alloy / gold plating
- Potting compound: epoxy
- Dielectric inserts: high grade rigid dielectric
- Panel O-ring: fluorosilicone

How To Order						
SAMPLE PART NUMBER		806-037	-ME	11-19	P	A
Product	806-037 = Jam-nut, Right-Angle Receptacle					
Shell Material and Finish	NF = Aluminum, O.D. Cad Over Electroless Nickel MT = Aluminum, Ni/PTFE ME = Aluminum, Electroless Nickel ZR = Aluminum, Black Zinc-Nickel Z1 = Stainless Steel, Passivated ZL = Stainless Steel, Electro-Deposited Nickel					
Arrangement Number (Shell Size - Insert Arr.)	See Table 1					
Contact Type	P = Pin S = Socket					
Polarization	A B C D E F					

Polarization Key Code				
POS	A°	B°	C°	D°
A	105°	140°	215°	265°
B	102°	170°	248°	305°
C	80°	150°	230°	295°
D	68°	140°	205°	275°
E	64°	155°	234°	304°
F	72°	120°	200°	298°

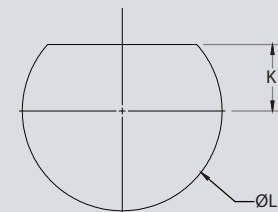


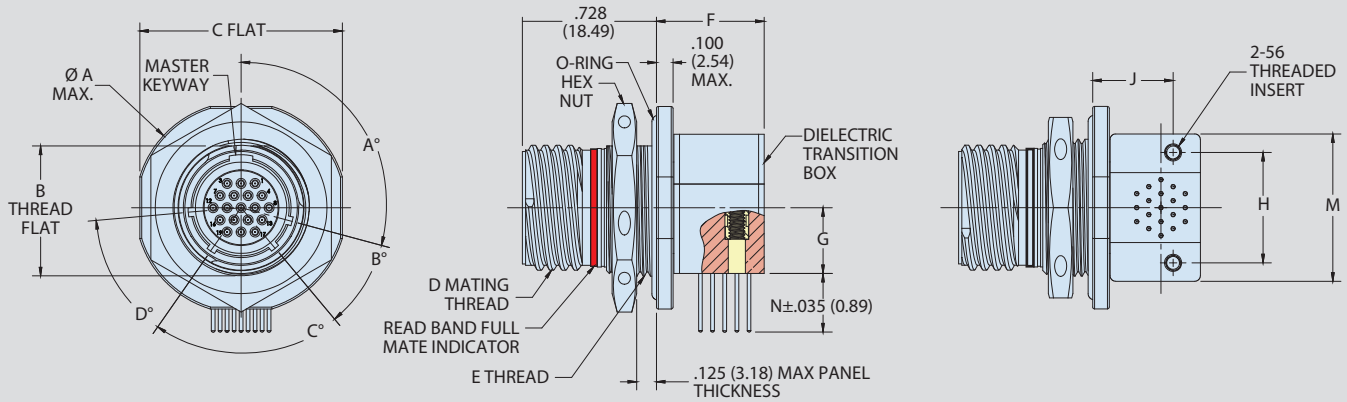
Table I: Shell Size - Insert Arrangement	
Shell Size - Contact Layout	Number of Contacts
8-4	4
8-7	7
9-11	11
10-15	15
11-19	19

Recommend Mounting Hole Dimensions		
Shell Size	K (+0.005/-0.00) (+0.13/-0.00)	ØL (+0.005/-0.00) (+0.13/-0.00)
8	.256 (6.50)	.601 (15.27)
9	.287 (7.29)	.640 (16.26)
10	.318 (8.08)	.719 (18.26)
11	.350 (8.89)	.759 (19.28)

Series 806 Mil-Aero Connectors



806-037 Jam-Nut, Right-Angle PCB Receptacle Connectors



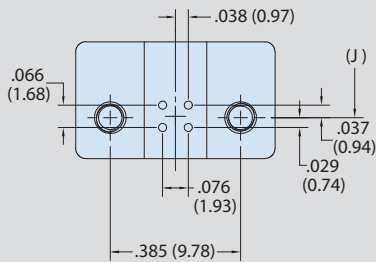
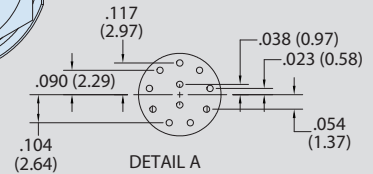
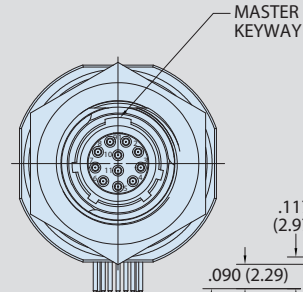
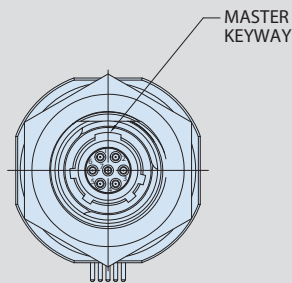
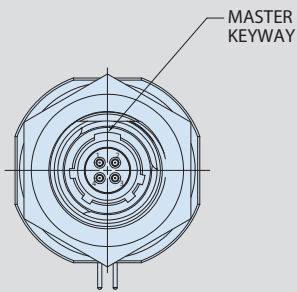
ARRANGEMENT NO. 11-19
SHOWN FOR REFERENCE ONLY

Dimensions

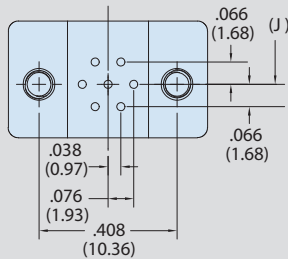
Shell Size / Arrangement	Øa Max.	B Thread Flat	C Flat Max.	D Mating Thread	E Thread	F	G	H Basic	J	M	N
8 - 4	.980 (24.89)	.534 (13.56)	.920 (23.37)	.5000-.0667P-.2L-TS-2A	M15 x 1-6g-.100R	.440 (11.18)	.226 (5.74)	.385 (9.78)	.319 (8.10)	.589 (14.96)	.281 (7.14)
8 - 7	.980 (24.89)	.534 (13.56)	.920 (23.37)	.5000-.0667P-.2L-TS-2A	M15 x 1-6g-.100R	.440 (11.18)	.228 (5.79)	.408 (10.36)	.282 (7.16)	.589 (14.96)	.234 (5.94)
9 - 11	1.040 (26.42)	.585 (14.86)	.980 (24.89)	.5625-.0667P-.2L-TS-2A	M16 x 1-6g-.100R	.585 (14.86)	.321 (8.15)	.490 (12.45)	.325 (8.25)	.710 (18.03)	.241 (6.12)
10 - 15	1.110 (28.19)	.656 (16.66)	1.050 (26.67)	.6250-.0667P-.2L-TS-2A	M18 x 1-6g-.100R	.585 (14.86)	.360 (9.14)	.600 (15.24)	.437 (11.10)	.800 (20.32)	.243 (6.17)
11 - 19	1.160 (29.46)	.707 (17.96)	1.110 (28.19)	.6875-.0667P-.2L-TS-2A	M19 x 1-6g-.100R	.585 (14.86)	.357 (9.07)	.600 (15.24)	.437 (11.10)	.800 (20.32)	.246 (6.25)

Series 806 Mil-Aero Connectors

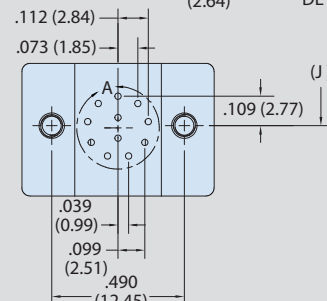
806-037 Jam-Nut, Right-Angle PCB Receptacle Connectors



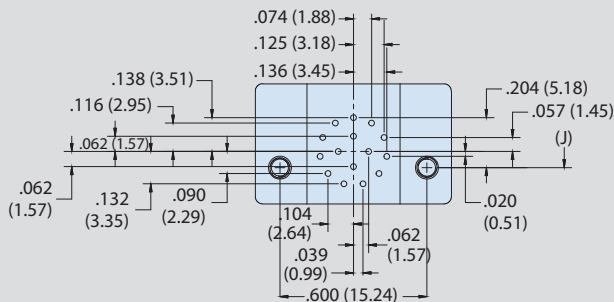
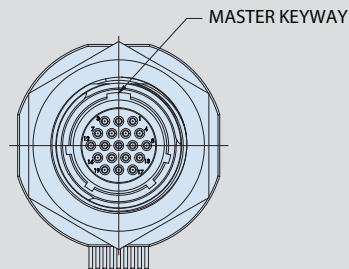
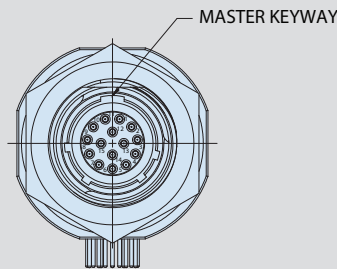
ARRANGEMENT NO. 8-4
4 X #22HD CONTACTS
PIN FACE SHOWN
(SOCKET FACE OPPOSITE)



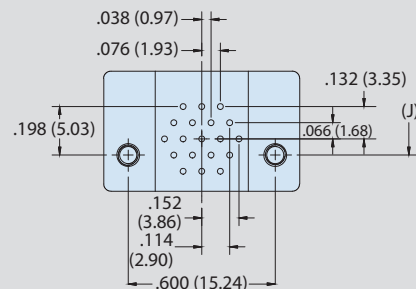
ARRANGEMENT NO. 8-7
7 X #22HD CONTACTS
PIN FACE SHOWN
(SOCKET FACE OPPOSITE)



ARRANGEMENT NO. 9-11
11 X #22HD CONTACTS
PIN FACE SHOWN
(SOCKET FACE OPPOSITE)



ARRANGEMENT NO. 10-15
15 X #22HD CONTACTS
PIN FACE SHOWN
(SOCKET FACE OPPOSITE)



ARRANGEMENT NO. 11-19
19 X #22HD CONTACTS
PIN FACE SHOWN
(SOCKET FACE OPPOSITE)