

ENVIRONMENTAL, MICRO MINIATURE CIRCULAR

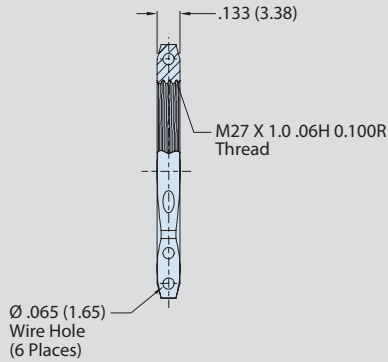
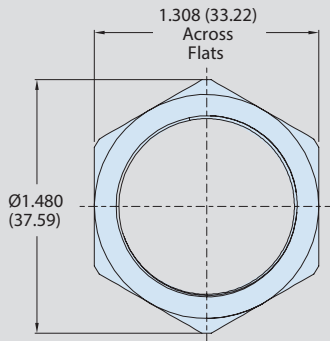
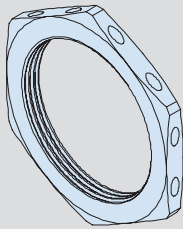
Series 806

Mil-Aero Connectors



Series 806 Hex Jam-Nut with 6 Wire Holes

SERIES 806 HEX JAM-NUT



Replace lost or damaged hex jam-nut with this standard replacement part. Jam-nut used on 8070-3334 series receptacles. (Ref. Series 806 Special) Use with Glenair tool 600-146.

How To Order			
SAMPLE PART NUMBER		809-539	-ME 16
Product	809-539 = Jam-nut for Series 8070-3334 receptacles		
Finish	See Table I for material and finish options		
Shell Size	16		

Table I: Dimensions		
Code	Material	Finish
NF	Aluminum Alloy	Cad/O.D. over Electroless Nickel
MT	Aluminum Alloy	Nickel-PTFE
ME	Aluminum Alloy	Electroless Nickel (96 hour sale spray)
ZR	Aluminum Alloy	Zinc Ni, Black (ti-valent cr)
Z1	Stainless Steel	Passivate
ZL	Stainless Steel	Electro-deposited nickel