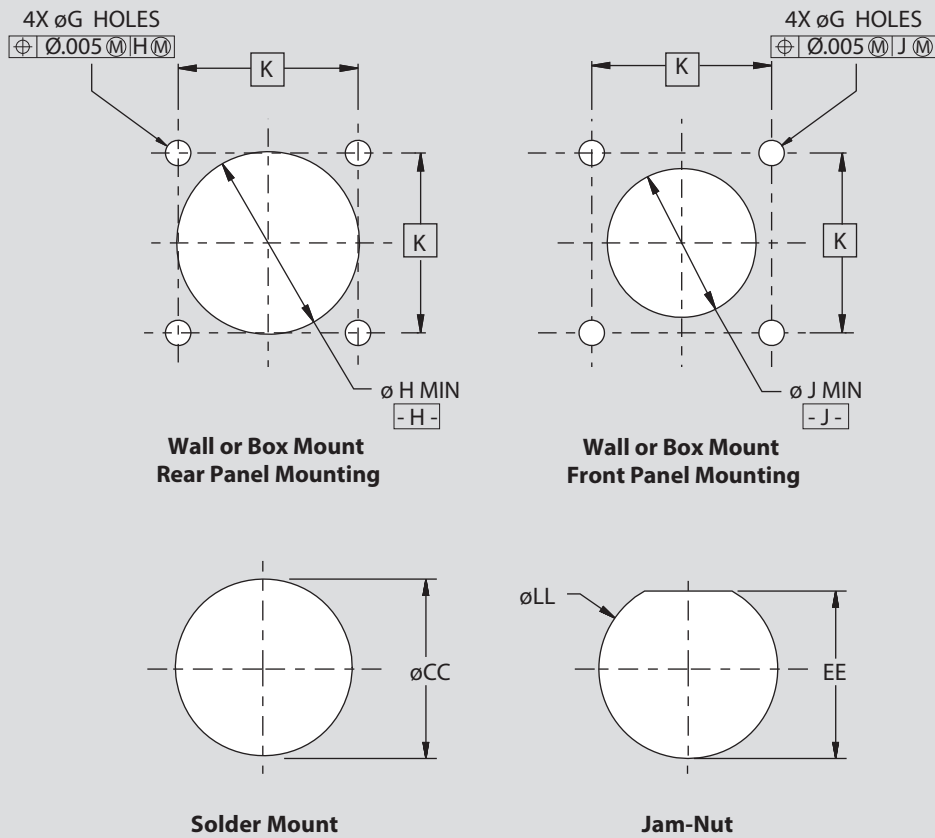


Recommended panel cut-outs

REFERENCE INFORMATION



Series IV, Recommended Panel Cut-Out Dimensions											
Shell Size Code	Shell Size	Box or Wall Mount					Solder Mount	Jam-Nut Mount (Environmental)		Jam-Nut Mount (Hermetic)	
		H Dia	J Dia	G Dia Holes	K Bsc	KK Bsc	CC Dia	LL Dia	EE	LL Dia	EE
B	11	.781 (19.84)	.625 (15.88)	.133 (3.38) .123 (3.12)	.796 (20.22)	.806 (20.47)	.794 (20.17) .784 (19.91)	1.020 (25.91) 1.010 (25.65)	.955 (24.26) .945 (24.00)	.835 (21.21) .825 (20.96)	.771 (19.59) .761 (19.34)
C	13	.921 (23.39)	.750 (19.05)	.133 (3.38) .123 (3.12)	.922 (23.42)	.932 (23.67)	.919 (23.34) .909 (23.09)	1.145 (29.08) 1.135 (28.83)	1.085 (27.56) 1.075 (27.30)	1.020 (25.90) 1.010 (25.65)	.955 (24.26) .945 (24.01)
D	15	1.047 (26.59)	.906 (23.01)	.133 (3.38) .123 (3.12)	1.047 (26.59)	1.057 (26.85)	1.043 (26.49) 1.033 (26.24)	1.270 (32.26) 1.260 (32.00)	1.210 (30.73) 1.200 (30.48)	1.145 (29.08) 1.135 (28.83)	1.085 (27.56) 1.075 (27.31)
E	17	1.218 (30.94)	1.16 (29.46)	.133 (3.38) .123 (3.12)	1.219 (30.96)	1.183 (30.05)	1.1698 (29.71) 1.159 (29.44)	1.395 (35.43) 1.385 (35.18)	1.335 (33.91) 1.325 (33.65)	1.270 (32.26) 1.260 (32.01)	1.210 (30.73) 1.200 (30.48)
F	19	1.296 (32.92)	1.142 (29.01)	.133 (3.38) .123 (3.12)	1.297 (32.94)	1.307 (33.20)	1.263 (32.08) 1.253 (31.83)	1.520 (38.61) 1.510 (38.35)	1.460 (37.08) 1.450 (36.83)	1.395 (35.43) 1.385 (35.18)	1.335 (33.91) 1.325 (33.66)
G	21	1.421 (36.09)	1.266 (32.16)	.133 (3.38) .123 (3.12)	1.422 (36.12)	1.432 (36.37)	1.388 (35.26) 1.378 (35.00)	1.645 (41.78) 1.635 (41.53)	1.585 (40.26) 1.575 (40.00)	1.520 (38.60) 1.510 (38.35)	1.460 (37.08) 1.450 (36.83)
H	23	1.546 (39.27)	1.375 (34.92)	.159 (4.04) .149 (3.78)	1.547 (39.29)	1.557 (39.55)	1.513 (38.43) 1.503 (38.18)	1.770 (44.96) 1.760 (44.70)	1.710 (43.43) 1.700 (43.18)	1.645 (41.78) 1.635 (41.53)	1.585 (40.26) 1.575 (40.01)
J	25	1.672 (42.47)	1.484 (37.69)	.159 (4.04) .149 (3.78)	1.672 (42.47)	1.682 (42.72)	1.648 (41.86) 1.638 (41.61)	1.895 (48.13) 1.885 (47.88)	1.835 (46.61) 1.825 (46.36)	1.770 (44.95) 1.760 (44.70)	1.710 (43.43) 1.700 (43.18)