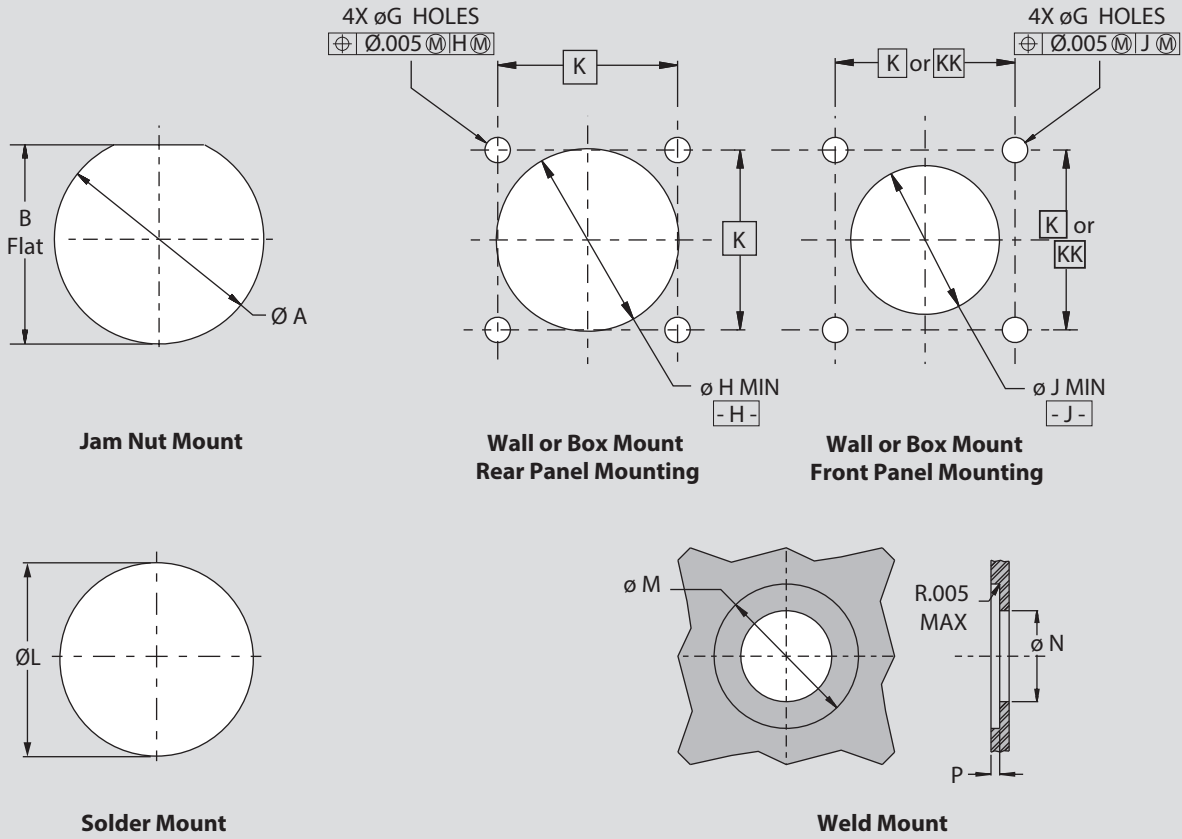


Recommended panel cut-outs

REFERENCE INFORMATION



Series III, Recommended Panel Cut-Out Dimensions												
Shell Size Code	Shell Size	Jam-Nut Mount		Wall and Box Mount					Solder Mount	Weld Mount		
		A Dia	B Flat	H Dia Min	J Dia Min	G Dia Holes	K BSC	KK BSC	L Dia	M Dia	N Dia	P
A	9	.703 (17.86)	.661 (16.79)	.656 (16.66)	.516 (13.11)	.133 (3.38)	.719 (18.26)	.594 (15.09)	.685 (17.40)	.990 (25.15)	.300 (7.62)	.126 (3.20)
		.693 (17.60)	.655 (16.64)			.123 (3.12)			.675 (17.15)	.985 (25.02)		
B	11	.835 (21.21)	.771 (19.58)	.781 (19.84)	.625 (15.88)	.133 (3.38)	.812 (20.62)	.719 (18.26)	.794 (20.17)	1.112 (28.24)	.430 (10.92)	.126 (3.20)
		.825 (20.96)	.761 (19.33)			.123 (3.12)			.784 (19.91)	1.107 (28.12)		
C	13	1.020 (25.91)	.955 (24.26)	.921 (23.39)	.750 (19.05)	.133 (3.38)	.906 (23.01)	.812 (20.62)	.919 (23.34)	1.238 (31.45)	.550 (13.97)	.126 (3.20)
		1.010 (25.65)	.945 (24.00)			.123 (3.12)			.909 (23.09)	1.233 (31.32)		
D	15	1.145 (29.08)	1.085 (27.56)	1.047 (26.59)	.906 (23.01)	.133 (3.38)	.969 (24.61)	.906 (23.01)	1.043 (26.49)	1.364 (34.65)	.675 (17.15)	.126 (3.20)
		1.135 (28.83)	1.075 (27.30)			.123 (3.12)			1.033 (26.24)	1.359 (34.52)		
E	17	1.270 (32.26)	1.210 (30.73)	1.218 (30.94)	1.16 (29.46)	.133 (3.38)	1.062 (26.97)	.969 (24.61)	1.1698 (29.71)	1.451 (36.86)	.795 (20.19)	.126 (3.20)
		1.260 (32.00)	1.200 (30.48)			.123 (3.12)			1.159 (29.44)	1.446 (36.73)		
F	19	1.395 (35.43)	1.335 (33.91)	1.296 (32.92)	1.142 (29.01)	.133 (3.38)	1.156 (29.36)	1.062 (26.97)	1.263 (32.08)	1.597 (40.56)	.895 (22.73)	.126 (3.20)
		1.385 (35.18)	1.325 (33.65)			.123 (3.12)			1.253 (31.83)	1.592 (40.44)		
G	21	1.520 (38.61)	1.460 (37.08)	1.421 (36.09)	1.266 (32.16)	.133 (3.38)	1.250 (31.75)	1.156 (29.36)	1.388 (35.26)	1.738 (44.15)	1.010 (25.65)	.126 (3.20)
		1.510 (38.35)	1.450 (36.83)			.123 (3.12)			1.378 (35.00)	1.733 (44.02)		
H	23	1.645 (41.78)	1.585 (40.26)	1.546 (39.27)	1.375 (34.92)	.159 (4.04)	1.375 (34.92)	1.250 (31.75)	1.513 (38.43)	1.894 (48.11)	1.135 (28.83)	.157 (3.99)
		1.635 (41.53)	1.575 (40.00)			.149 (3.78)			1.503 (38.18)	1.899 (48.23)		
J	25	1.770 (44.96)	1.710 (43.43)	1.672 (42.47)	1.484 (37.69)	.159 (4.04)	1.500 (38.10)	1.375 (34.92)	1.648 (41.86)	1.990 (50.55)	1.250 (31.75)	.157 (3.99)
		1.760 (44.70)	1.700 (43.18)			.149 (3.78)			1.638 (41.61)	1.985 (50.42)		