

TABLE I: CONNECTOR DIMENSIONS		
SHELL SIZE	A THREAD 0.1 P-0.3L-TS-2	B DIA MAX
09	0.6250	.859(21.8)
11	0.7500	.969(24.6)
13	0.8750	1.141(29.0)
15	1.0000	1.266(32.2)
17	1.1875	1.391(35.3)
19	1.2500	1.500(38.1)
21	1.3750	1.625(41.3)
23	1.5000	1.750(44.5)
25	1.6250	1.875(47.6)

APPLICATION NOTES

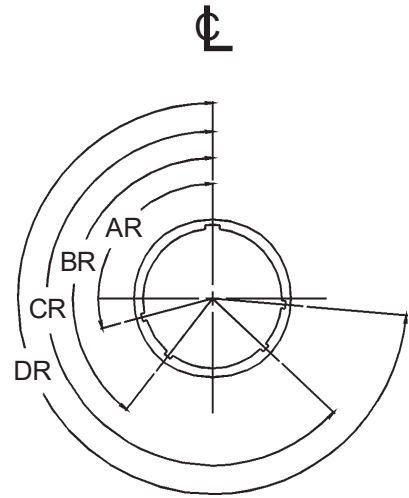
1. Assembly features straight-thru double-ended contacts, power to a given contact on one end will result in power to contact directly opposite, regardless of identification.
2. Symmetrical layout only, Consult factory for available insert arrangements.
3. Metric dimensions (mm) are indicated in parentheses.
4. Material/finish:
Barrel, adapter, junction nuts, coupling nuts—Al alloy/see Table I.
Insulators—High grade rigid dielectric/N.A.
Contacts—Copper alloy/gold plate

947-221
Sav-Con® Connector Saver
Plug/Plug In-Line Connector
 for Use with MIL-DTL-38999 Series III



TABLE II: SHELL FINISHES

Plating Code	Material	Finish
M	Aluminum	Electroless Nickel
NF	Aluminum	Cadmium Plate Olive Drab over Electroless Nickel
NC	Aluminum	Zinc-Cobalt
ZN	Aluminum	Olive Drab Zinc-Nickel
MT	Aluminum	Ni-PTFE 1000 Hour Grey™ (Nickel Fluorocarbon Polymer)



FACE VIEW
 RECEPTACLE

SERIES III: ALTERNATE KEYWAY POSITIONS

Shell Size Code	Shell Size Ref	Alternate Keyway Code	AR°	BR°	CR°	DR°
A	09	N	105	140	215	265
		A	102	132	248	320
		B	80	118	230	312
		C	35	140	205	275
		D	64	155	234	304
B C D	11 13 15	N	95	141	208	236
		A	113	156	182	292
		B	90	145	195	252
		C	53	156	220	255
		D	119	146	176	298
E F	17 19	N	80	142	196	293
		A	135	170	200	310
		B	49	169	200	244
		C	66	140	200	257
		D	62	145	180	280
G H J	21 23 25	N	80	142	196	293
		A	135	170	200	310
		B	49	169	200	244
		C	66	140	200	257
		D	62	145	180	280
		E	79	153	197	272