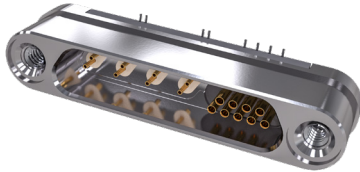


## Vertical PCB-mount twinax and combo twinax plug and receptacles Surface-mount termination



**GMMD-VRI vertical PCB-mount receptacle (combo 4T9 layout shown)**

### CONNECTOR FEATURES

- Vertical connectors use 0.635mm PCB spacing but can have the pins on either side or both sides of the connector to increase pad-pad distance and reduce crosstalk on high-speed lines. Contact Glenair for options. "VRI" option includes integrated hardware and O-ring option for panel-to-receptacle sealing.
- An alignment pip is integral to the connector housing for accurate registration. The connector shell mounting legs provide a ground path.
- Designed for use with SMT reflow soldering processes, using RoHS-compliant contact tin dipping. Glenair recommends connector be screwed to PCB before soldering

### GMMD TWINAX AND COMBO TWINAX CONTACT ARRANGEMENTS

Code	Shell Size	Twinax Contacts	#24 Contacts
2T	9	2	
4T	15	4	
2T9	21	2	9
2T15	25	2	15
4T9	31	4	9
5T9	31	5	9
8T	31	8	
4T15	37	4	15
8T15	51-2	8	15
4T31	51-2	4	31
12T	51-2	12	
12T15	67	12	15
6T37	67	6	37
8T31	67	8	31
16T	67	16	

HOW TO ORDER						
<b>Sample Part Number</b>	<b>GMMD</b>	<b>-VR</b>	<b>2T9</b>	<b>-2</b>	<b>P</b>	<b>M</b> <b>-1</b>
<b>Series</b>	GMMD = Glenair Modular High-Speed Micro-D					
<b>Connector Format</b>	-VR = Vertical receptacle, PCB-mount -VRI = Vertical receptacle, integrated hardware, PCB-mount -VP = Vertical PCB-mount plug					
<b>Contact Arrangement</b>	See Table. Consult factory for additional arrangements.					
<b>Shell Material / Finish</b>	-2 = Aluminum / Electroless Nickel    -5 = Aluminum / Gold -3 = Stainless Steel / Passivated    -6 = Aluminum / Alocromate -7 = Aluminum / Nickel-PTFE    -8 = Aluminum / Zinc-Nickel, Black					
<b>Jackpost Options</b>	Specify per Jackpost / Hardware Options in table below					
<b>Board-Mount Options</b>	Specify per Board-Mount Thread Options and PCB Thickness in table below					
<b>Sealing Options for VRI (omit for VR/VP)</b>	-0 = No O-ring    -1 = Fluorosilicone -2 = Passivated silver-plated aluminum-filled fluorosilicone -3 = Nickel-plated aluminum-filled fluorosilicone					

VERTICAL TWINAX CONNECTOR FORMAT GUIDE		
<b>GMMD-VP</b> Vertical PCB-mount Plug	<b>GMMD-VR</b> Vertical PCB-Mount Receptacle	<b>GMMD-VRI</b> Vertical PCB-Mount Receptacle with Integrated Hardware

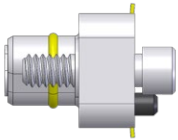
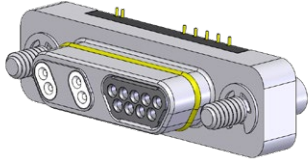
JACKPOST / HARDWARE OPTIONS			
Specify Hardware option code, Board-Mount Thread Option code, and PCB Thickness code where applicable.	<b>Hardware Options</b>	<b>Board-Mount Thread Option</b>	<b>PCB Thickness</b>
<b>Integrated threaded inserts and jackpost thread</b>	 <b>U</b>	<b>M</b> M2 metric <b>U</b> #2-56 UNC	
<b>Jackpost Kit</b>	 <b>S</b>	<b>M</b> M2 metric <b>U</b> #2-56 UNC	<b>P</b> 1.6mm <b>Q</b> 3.2mm <b>R</b> 5.0mm
<b>No Jackpost, No Insert</b>	 <b>N</b>	<b>N</b> Through Hole, No Thread	
<b>Rear Panel Mount Jackpost Kit</b>	 <b>T</b> 2.4mm <b>U</b> 2.0mm <b>V</b> 1.6mm <b>W</b> 1.2mm <b>X</b> 0.8mm <b>Y</b> 0.6mm	<b>M</b> M2 metric	<b>P</b> 1.6mm
		<b>U</b> #2-56 UNC	<b>Q</b> 3.2mm
			<b>R</b> 5.0mm
<b>Jackscrew Kit for Vertical Plugs</b>	 <b>M</b> Socket head jackscrew <b>N</b> No hardware	<b>N</b>	<b>H</b> 0 – 0.5mm
			<b>J</b> 0.5 – 1.0mm
			<b>K</b> 1.0 – 1.5mm
			<b>L</b> 1.5 – 2.0mm
			Omit = no hardware

GMMD TWINAX AND COMBO TWINAX CONNECTORS

## Vertical PCB-mount twinax and combo twinax plug Surface-mount termination

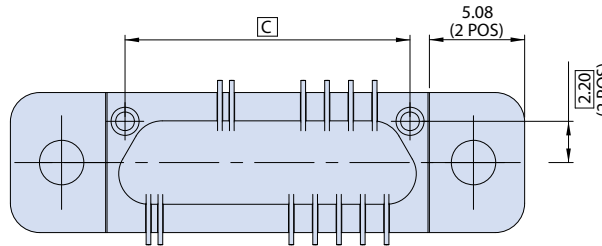
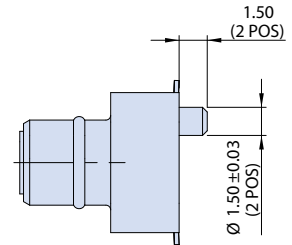
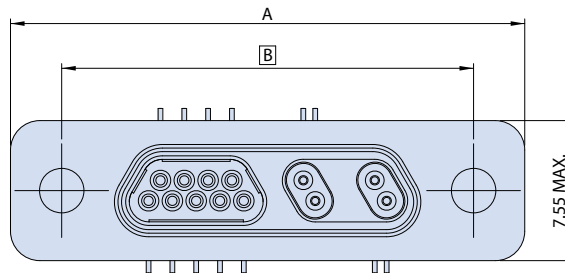
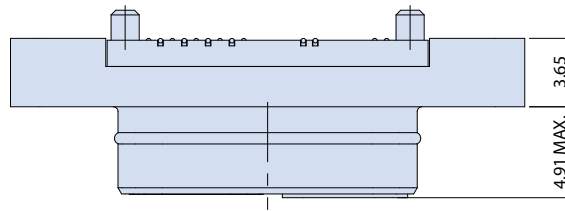
GMMD TWINAX AND COMBO TWINAX CONNECTORS

### GMMD-VP VERTICAL PCB-MOUNT PLUG DIMENSIONS



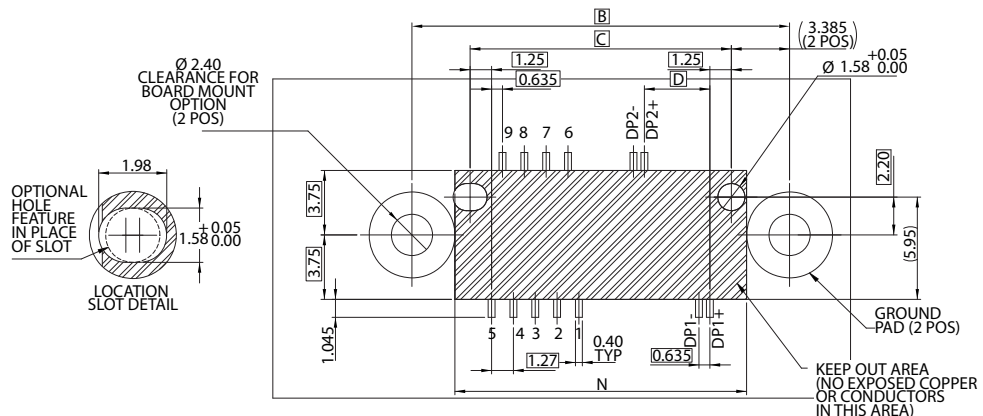
**GMMD-VP**  
Vertical PCB-mount Plug

Shell size	A	B	C
	(mm)	(mm)	(mm)
9	19.86	14.35	7.58
15	23.67	18.16	11.39
21	27.48	21.97	15.20
25	30.02	24.51	17.74
31	33.83	28.32	21.55
37	37.64	32.13	25.36
51-2	46.53	41.02	34.25
67	56.69	51.18	44.41



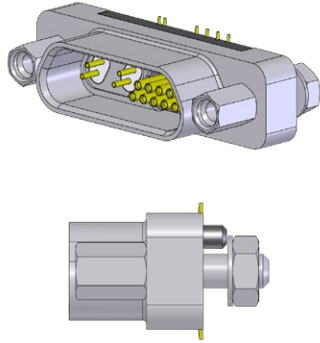
### PCB MOUNTING PATTERN FOR GMMD-VP VERTICAL PCB-MOUNT PLUG (SMT MOUNT - COMPONENT SIDE)

Twinax Contact Pitch			
Shell size	Contact Arrangement	D mm	N mm
9	2T9	3.810	9.35
15	4T	2.540	13.16
21	2T9	3.810	16.97
31	4T9	3.175	23.32
31	5T9	2.540	
31	8T	2.540	27.13
51	8T15	2.540	36.02
51	4T31	2.858	
51	12T	2.540	46.18
67	12T15	2.540	
67	6T37	2.858	46.18
67	8T31	2.540	
67	16T	2.540	



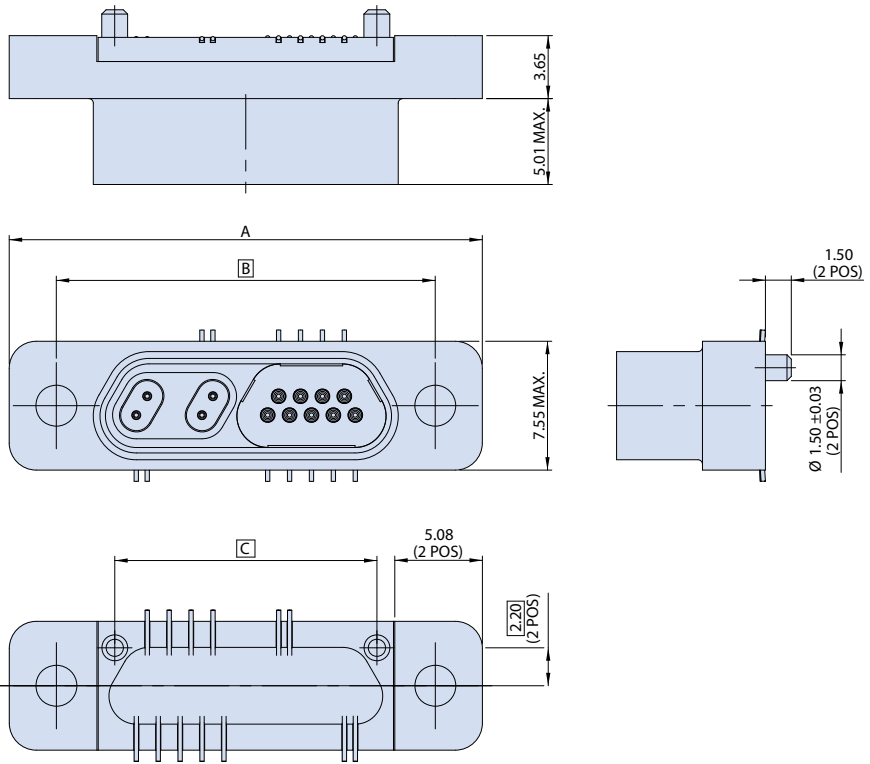
## Vertical PCB-mount twinax and combo twinax receptacles Surface-mount termination

### GMMD-VR VERTICAL PCB-MOUNT RECEPTACLE DIMENSIONS



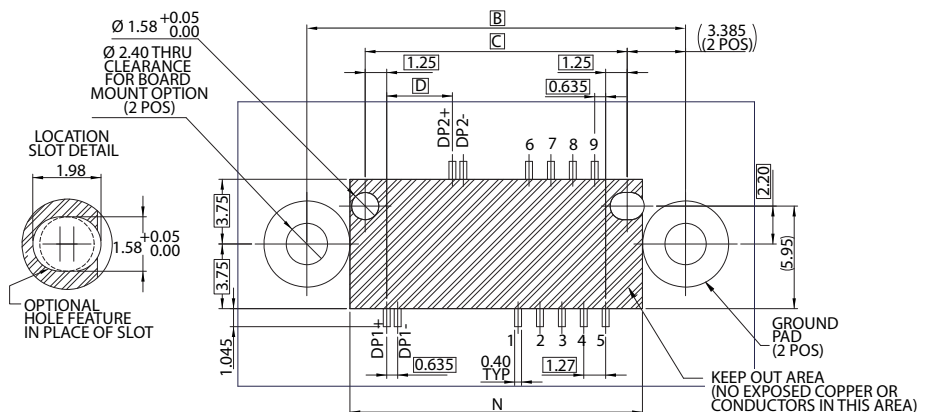
**GMMD-VR**  
Vertical PCB-Mount Receptacle

Shell size	A (mm)	B (mm)	C (mm)
9	19.86	14.35	7.58
15	23.67	18.16	11.39
21	27.48	21.97	15.20
25	30.02	24.51	17.74
31	33.83	28.32	21.55
37	37.64	32.13	25.36
51-2	46.53	41.02	34.25
67	56.69	51.18	44.41



### PCB MOUNTING PATTERN FOR GMMD-VR VERTICAL PCB-MOUNT (SMT MOUNT - COMPONENT SIDE)

Twinax Contact Pitch			
Shell size	Contact Arrangement	D mm	N mm
9	2T9	3.810	9.35
15	4T	2.540	13.16
21	2T9	3.810	16.97
31	4T9	3.175	23.32
31	5T9	2.540	
31	8T	2.540	27.13
37	4T15	3.175	
51	8T15	2.540	36.02
51	4T31	2.858	
51	12T	2.540	46.18
67	12T15	2.540	
67	6T37	2.858	46.18
67	8T31	2.540	
67	16T	2.540	

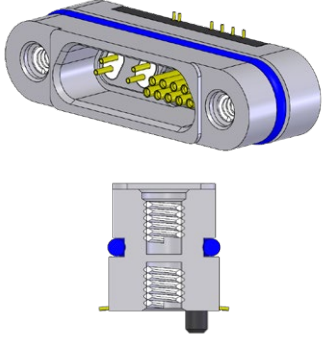


GMMD TWINAX AND COMBO TWINAX CONNECTORS

## Vertical PCB-mount twinax and combo twinax receptacles Surface-mount termination • integrated hardware

GMMD TWINAX AND COMBO TWINAX CONNECTORS

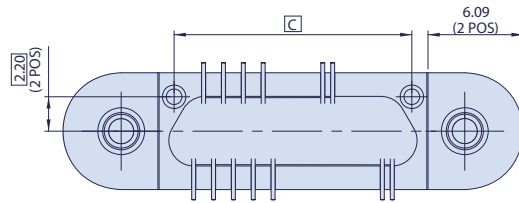
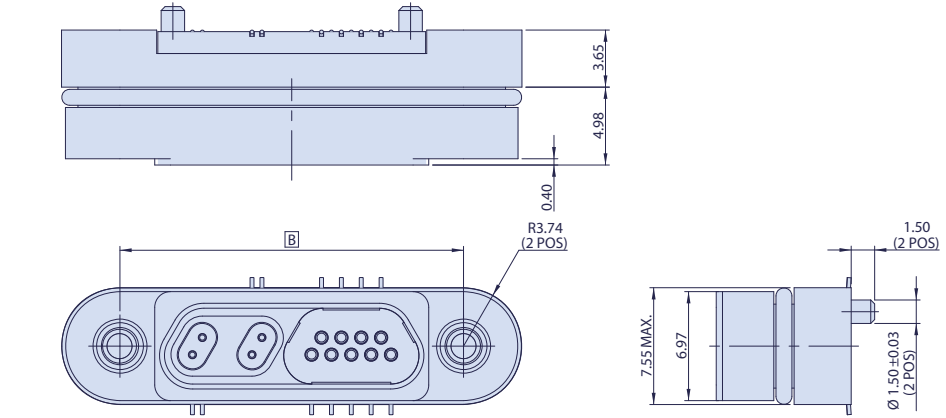
**GMMD-VRI VERTICAL PCB-MOUNT RECEPTACLE WITH INTEGRATED HARDWARE - DIMENSIONS**



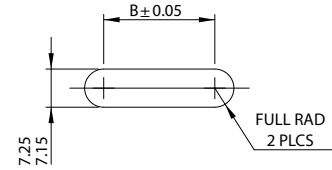
**GMMD-VRI** Vertical PCB-Mount Receptacle with Integrated Hardware

Shell size	B (mm)	C (mm)
9	14.35	7.58
15	18.16	11.39
21	21.97	15.20
25	24.51	17.74
31	28.32	21.55
37	32.13	25.36
51-2	41.02	34.25
67	51.18	44.41

- Same footprint as for standard vertical PCB mount
- O-ring supplied for sealing against panel



**PANEL CUT-OUT RECOMMENDATIONS -**



IT IS RECOMMENDED THAT ALL SHARP EDGES ARE REMOVED TO AVOID DAMAGE TO THE RUBBER SEAL DURING CONNECTOR FIT

**PCB MOUNTING PATTERN FOR GMMD-VRI VERTICAL PCB-MOUNT WITH INTEGRATED HARDWARE (SMT MOUNT - COMPONENT SIDE)**

Twinax Contact Pitch			
Shell size	Contact Arrangement	D mm	N mm
9	2T9	3.810	9.35
15	4T	2.540	13.16
21	2T9	3.810	16.97
31	4T9	3.175	23.32
31	5T9	2.540	
31	8T	2.540	27.13
37	4T15	3.175	
51	8T15	2.540	36.02
51	4T31	2.858	
51	12T	2.540	46.18
67	12T15	2.540	
67	6T37	2.858	46.18
67	8T31	2.540	
67	16T	2.540	

