

The snap-lock, trigger-release connector

860-004R Panel Mounting Receptacles With PC Tails



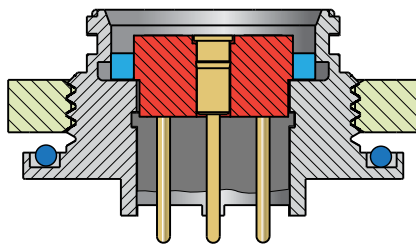
860-004R

Specifications

- Operating temperature: -55°C to +125°C
- Dielectric withstanding voltage: 500 VAC
- Current rating: 5 A
- Contact resistance: 20 milliohms
- Water immersion: MIL-STD-810G Method 512.5, mated or unmated
- Ingress protection: IP67
- Mechanical life: 2000 cycles

Connector Construction

- Shell: stainless steel
- Jam nut: stainless steel
- Contacts: copper alloy, gold plated
- Insert: glass-filled thermoplastic
- O-ring: fluorosilicone
- Peripheral seal: fluorosilicone
- Potting compound: RTV silicone



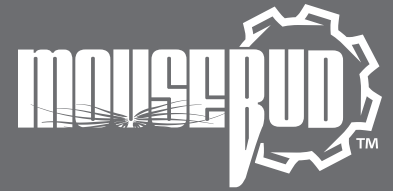
Mounting Style 07
 for rear panel mounting

860-004R panel mount MouseBud receptacles with “hot shoe” type contacts are lightweight, ultra low profile and are rated for 2000 mating cycles. Suitable for hostile environments including soldier-wearable electronics, these receptacle connectors meet MIL-STD-810G immersion requirements mated or unmated. Contacts are easy to clean and damage resistant. Gold plated contacts, stainless steel shell and thermoplastic insulator. Fluorosilicone O-ring and seal. 5A current rating, 500VAC dielectric withstanding voltage rating. -55° to +125° C operating temperature.

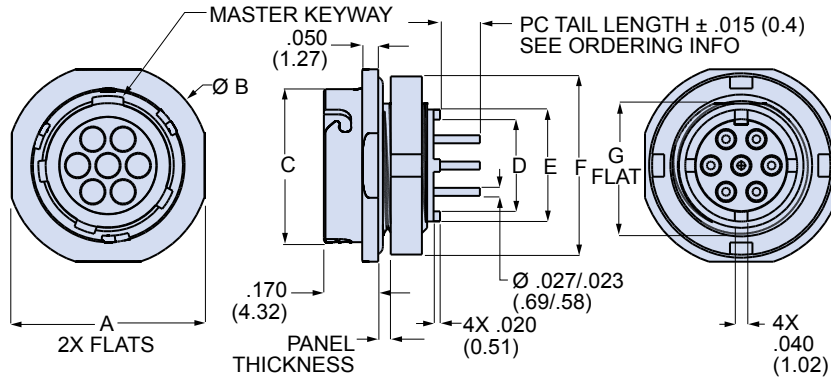
How To Order	
	860-004R- C10 ZR 07 A- 15- 30
Product	860-004R = MouseBud panel mount receptacle with PC tail terminals
Contact Arrangement (Table 1)	B7 = seven contacts, size B shell C10 = ten contacts, size C shell
Finish	M = electroless NI MT = Nickel-PTFE ZR = Black zinc-nickel
Shell Style	00 = front panel mounting 07 = rear panel mounting
Keyway Position (Table 2)	A = position A D = position D B = position B E = position E C = position C F = position F
Panel Thickness	15 = .062 (1.5) 30 = .125 (3.0)
PC Tail Length	20 = .08 (2.0) 30 = .12 (3.0)

Table 1: Contact Arrangements			
<p>B7</p>		<p>C10</p>	
Contact Arr.	B7	Contact Arr.	C10
# of Contacts	7	# of Contacts	10
Contact Diameter	.038 (0.96)	Contact Diameter	.038 (0.96)
Current Rating	5A	Current Rating	5A

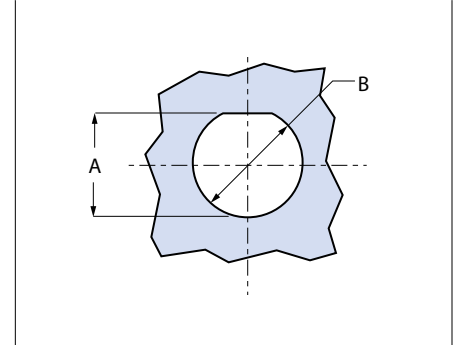
Table 2: Keyway Positions			
Code	A°	B°	C°
A	120°	200°	265°
B	80°	150°	265°
C	95°	150°	235°
D	95°	200°	320°
E	95°	225°	265°
F	120°	225°	320°



Front Panel Mount Style 00 Dimensions														
Contact Arr.	A		B		C		D		E		F		G	
	In.	mm.	In.	mm.	In.	mm.	In.	mm.	In.	mm.	In.	mm.	In.	mm.
B7	.602	15.29	.635	16.13	.480	12.19	.290	7.37	.350	8.89	.562	14.27	.410	10.41
C10	.723	18.36	.755	19.18	.605	15.37	.415	10.54	.475	12.07	.688	17.48	.536	13.61

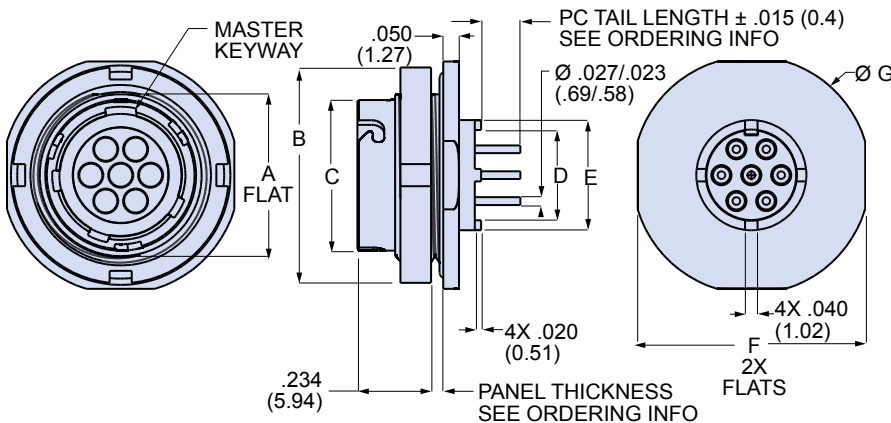


Style 00 Panel Cutout

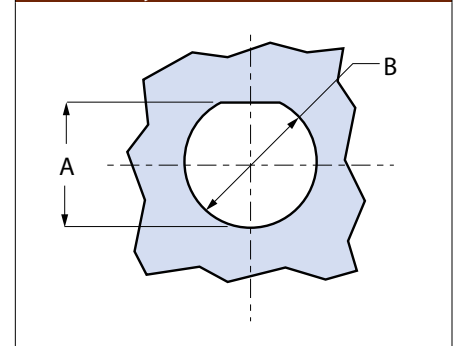


Contact Arr.	Shell Style	A ± .002 (0.05)		B ± .002 (0.05)	
		In.	mm.	In.	mm.
B7	00	.416	10.57	.447	11.35
C10	00	.542	13.77	.572	14.53

Rear Panel Mount Style 07 Dimensions														
Contact Arr.	A		B		C		D		E		F		G	
	In.	mm.	In.	mm.	In.	mm.	In.	mm.	In.	mm.	In.	mm.	In.	mm.
B7	.536	13.60	.688	17.48	.480	12.19	.290	7.37	.350	8.89	.723	18.36	.755	19.18
C10	.656	16.66	.812	20.62	.605	15.37	.415	10.54	.475	12.07	.855	21.72	.890	22.61

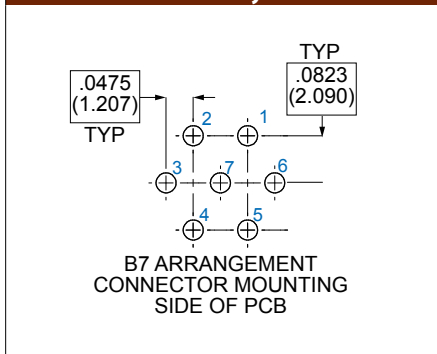


Style 07 Panel Cutout

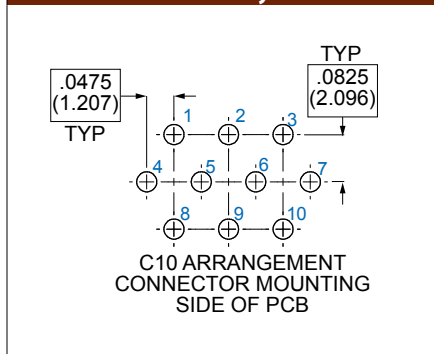


Contact Arr.	Shell Style	A ± .002 (0.05)		B ± .002 (0.05)	
		In.	mm.	In.	mm.
B7	07	.542	13.77	.572	14.53
C10	07	.666	16.92	.697	17.70

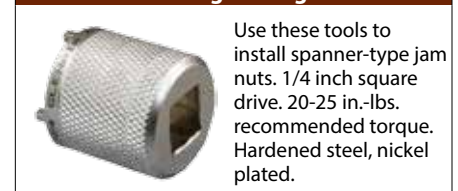
B7 PCB Layout



C10 PCB Layout



Jam Nut Tightening Tools



Layout	Mounting Style	Tool PN
B7	Style 00 Front Mt	600-146-05
B7	Style 07 Rear Mt	600-147-6
C10	Style 00 Front Mt	600-147-6
C10	Style 07 Rear Mt	600-146-12