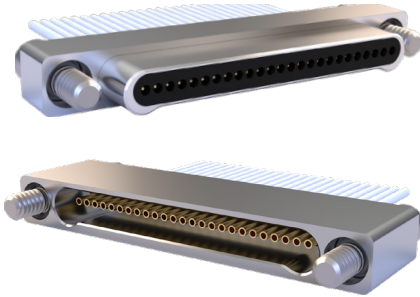


MIL-DTL-32139 NANOMINIATURE Single and Dual Row Rectangular Connectors



M32139/01 and /02 Plug and Receptacle, Single Row Connectors with Insulated Wire

M32139 SINGLE AND DUAL ROW RECTANGULAR CONNECTORS

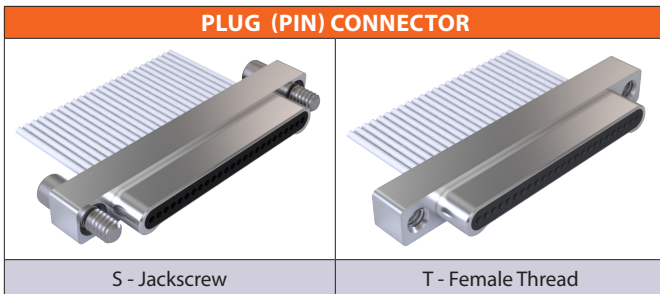


M32139/01 and /02 Insulated Wire Nano Connectors feature gold alloy TwistPin contacts. Contacts are precision-crimped to insulated, stranded wire. These nanominiature connectors offer premium performance and reliability for demanding applications. Contact spacing is .025 inches. 1 amp current rating, DWV rating 250 volts AC.

TwistPin Contact System assures premium performance in demanding environments. The gold alloy contacts will stand up to years of exposure without corrosion.

Typical Applications include UAVs, satellites, missile systems and geophysical instruments.

HOW TO ORDER		M32139/01	-D	01	S	N	S
Sample Part Number:							
Series	M32139/01 = Plug, Pin Contacts, Single Row, Nanominiature M32139/02 = Receptacle, Socket Contacts, Single Row, Nanominiature						
Insert Arrangements	A = 9 contacts B = 15 contacts C = 21 contacts D = 25 contacts E = 31 contacts F = 37 contacts G = 51 contacts						
Wire Type	All wire types specify 30 AWG stranded wire. See M32139 Wire Type Table						
Hardware	S = Jackscrew M32139/01 Plug Only T = Threaded Hole M32139/02 Receptacle Only						
Shell Material and Finish	C = Aluminum, Cadmium Finish (Not for Space) F = Nickel Fluorocarbon Polymer T = Titanium (Unplated)	S = Stainless Steel, Passivated Finish N = Aluminum, Electroless Nickel Finish Z = Zinc Nickel					
Space Class	(Omit) = Non-space applications	S = Space Grade					



NOTES

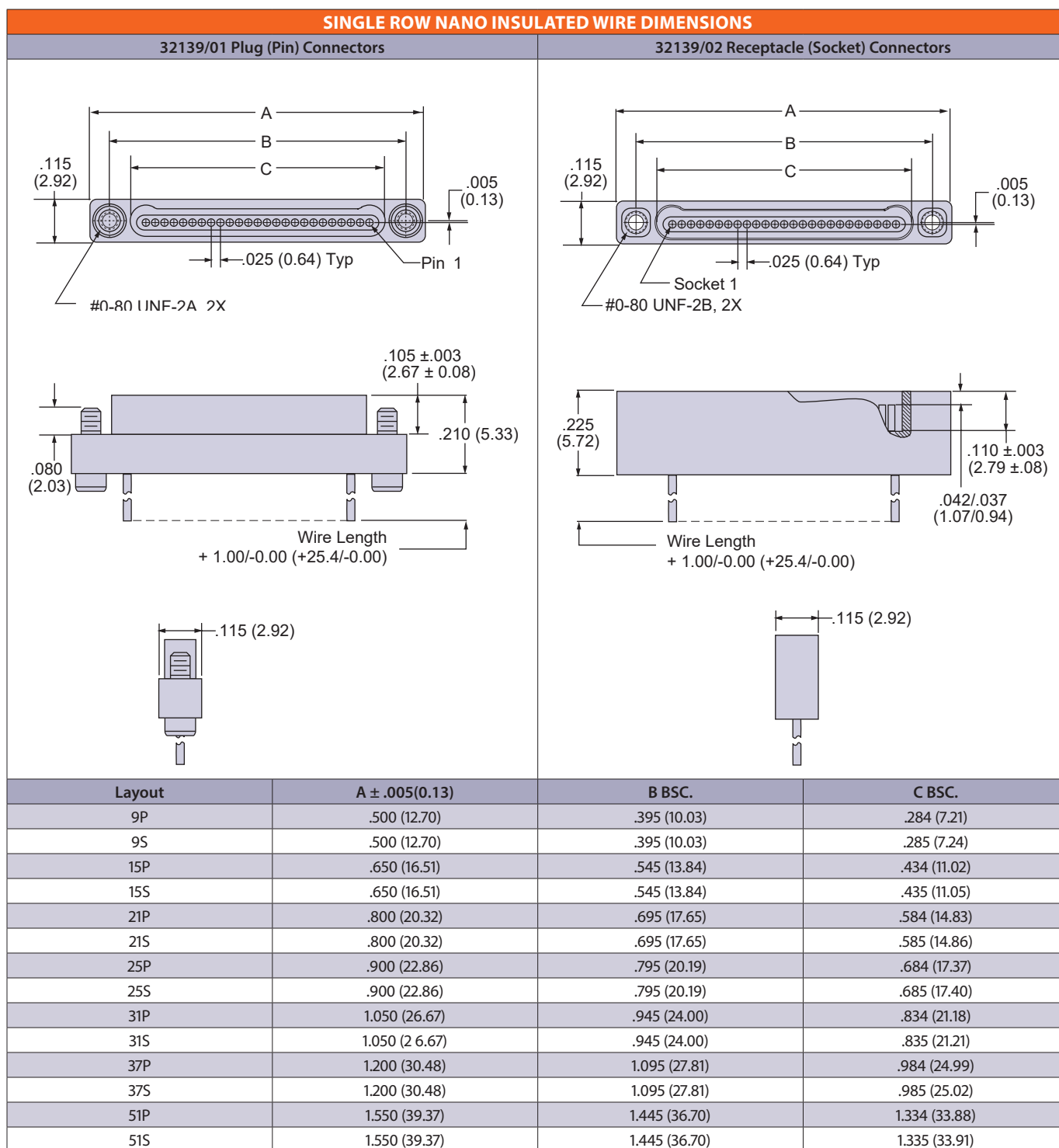
- Material and finish:
 - Shell: see part number breakdown
 - Insulator: LCP N/A
 - Contacts: gold alloy/unplated
 - Wire: see part number breakdown
 - Hardware: stainless steel, passivated
- Inspect and Test IAW MIL-DTL-32139
- Interface dimensions per MIL-DTL-32139/1 & MIL-DTL-32139/2

M32139 WIRE TYPE				M32139 WIRE TYPE				M32139 WIRE TYPE			
Wire Type	Specification	Color	Length In (mm)	Wire Type	Specification	Color	Length In (mm)	Wire Type	Specification	Color	Length In (mm)
01	NEMA HP3-ETXBBB	White	6 (152.40)	13	04047-30A ⁽¹⁾	White	6 (152.40)	31	M22759/52-30-9	White	6 (152.40)
02	NEMA HP3-ETXBBB	White	18 (457.20)	14	04047-30A ⁽¹⁾	White	18 (457.20)	32	M22759/52-30-9	White	18 (457.20)
03	NEMA HP3-ETXBBB	White	36 (914.40)	15	04047-30A ⁽¹⁾	White	36 (914.40)	33	M22759/52-30-9	White	36 (914.40)
04	NEMA HP3-ETXBBB	10 Color ⁽²⁾	6 (152.40)	16	04047-30A ⁽¹⁾	10 Color ⁽²⁾	6 (152.40)	34	M22759/52-30-(-)	10 Color ⁽²⁾	6 (152.40)
05	NEMA HP3-ETXBBB	10 Color ⁽²⁾	18 (457.20)	17	04047-30A ⁽¹⁾	10 Color ⁽²⁾	18 (457.20)	35	M22759/52-30-(-)	10 Color ⁽²⁾	18 (457.20)
06	NEMA HP3-ETXBBB	10 Color ⁽²⁾	36 (914.40)	18	04047-30A ⁽¹⁾	10 Color ⁽²⁾	36 (914.40)	36	M22759/52-30-(-)	10 Color ⁽²⁾	36 (914.40)
07	M22759/33-30	White	6 (152.40)	25	M22759/51-30-9	White	6 (152.40)	1. DSCC 04047 is a special composite wire subject to additional cost and longer delivery. 2. Color coding per MIL-STF-681, System 1, except using ten solid colors in repeating sequence.			
08	M22759/33-30	White	18 (457.20)	26	M22759/51-30-9	White	18 (457.20)				
09	M22759/33-30	White	36 (914.40)	27	M22759/51-30-9	White	36 (914.40)				
10	M22759/33-30	10 Color ⁽²⁾	6 (152.40)	28	M22759/51-30-(-)	10 Color ⁽²⁾	6 (152.40)				
11	M22759/33-30	10 Color ⁽²⁾	18 (457.20)	29	M22759/51-30-(-)	10 Color ⁽²⁾	18 (457.20)				
12	M22759/33-30	10 Color ⁽²⁾	36 (914.40)	30	M22759/51-30-(-)	10 Color ⁽²⁾	36 (914.40)				

MIL-DTL-32139 NANOMINIATURE Single and Dual Row Rectangular Connectors



M32139/01 and /02 Plug and Receptacle, Single Row Connectors with Insulated Wire



M32139 SINGLE AND DUAL ROW RECTANGULAR CONNECTORS