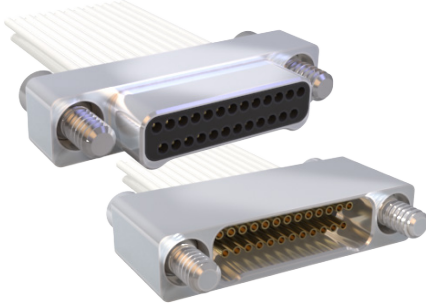


MIL-DTL-32139 NANOMINIATURE Single and Dual Row Rectangular Connectors



M32139/03 and /04 Plug and Receptacle, Dual Row Connectors with Insulated Wire

M32139 SINGLE AND DUAL ROW RECTANGULAR CONNECTORS



M32139/03 and /04 Insulated Wire Connectors feature gold alloy TwistPin contacts. Contacts are precision-crimped to insulated, stranded wire. These nanominiature connectors offer premium performance and reliability for demanding applications. Contact spacing is .025 inches. 1 amp current rating, DWV rating 250 volts AC.

TwistPin Contact System assures premium performance in demanding environments. The gold alloy contacts will stand up to years of exposure without corrosion.

Typical Applications include UAVs, satellites, missile systems and geophysical instruments.

HOW TO ORDER											
Sample Part Number						M32139/03	-D	01	S	N	S
Series	M32139/03 = Plug, Pin Contacts, Dual Row, Nanominiature M32139/04 = Receptacle, Socket Contacts, Dual Row, Nanominiature										
Insert Arrangements	A = 9 contacts		B = 15 contacts		C = 21 contacts		D = 25 contacts		E = 31 contacts		K = 85 contacts
	F = 37 contacts		G = 51 contacts		H = 65 contacts		J = 69 contacts				
Wire Type	All wire types specify 30 AWG stranded wire. See M32139 Wire Type Table										
Hardware	S = Jackscrew T = Threaded Hole Female threads available for plug connectors only if shell material is titanium or stainless steel										
Shell Material and Finish	C = Aluminum, Cadmium Finish (Not for Space)					S = Stainless Steel, Passivated Finish					
	F = Nickel Fluorocarbon Polymer					N = Aluminum, Electroless Nickel Finish					
	T = Titanium (Unplated)					Z = Zinc Nickel					
Space Class	(Omit) = Non-space applications					S = Space Grade					

PLUG (PIN) CONNECTOR		RECEPTACLE (SOCKET) CONNECTOR	
S - Jackscrew Option	T - Female Thread Option	S - Jackscrew Option	T - Female Thread Option

NOTES

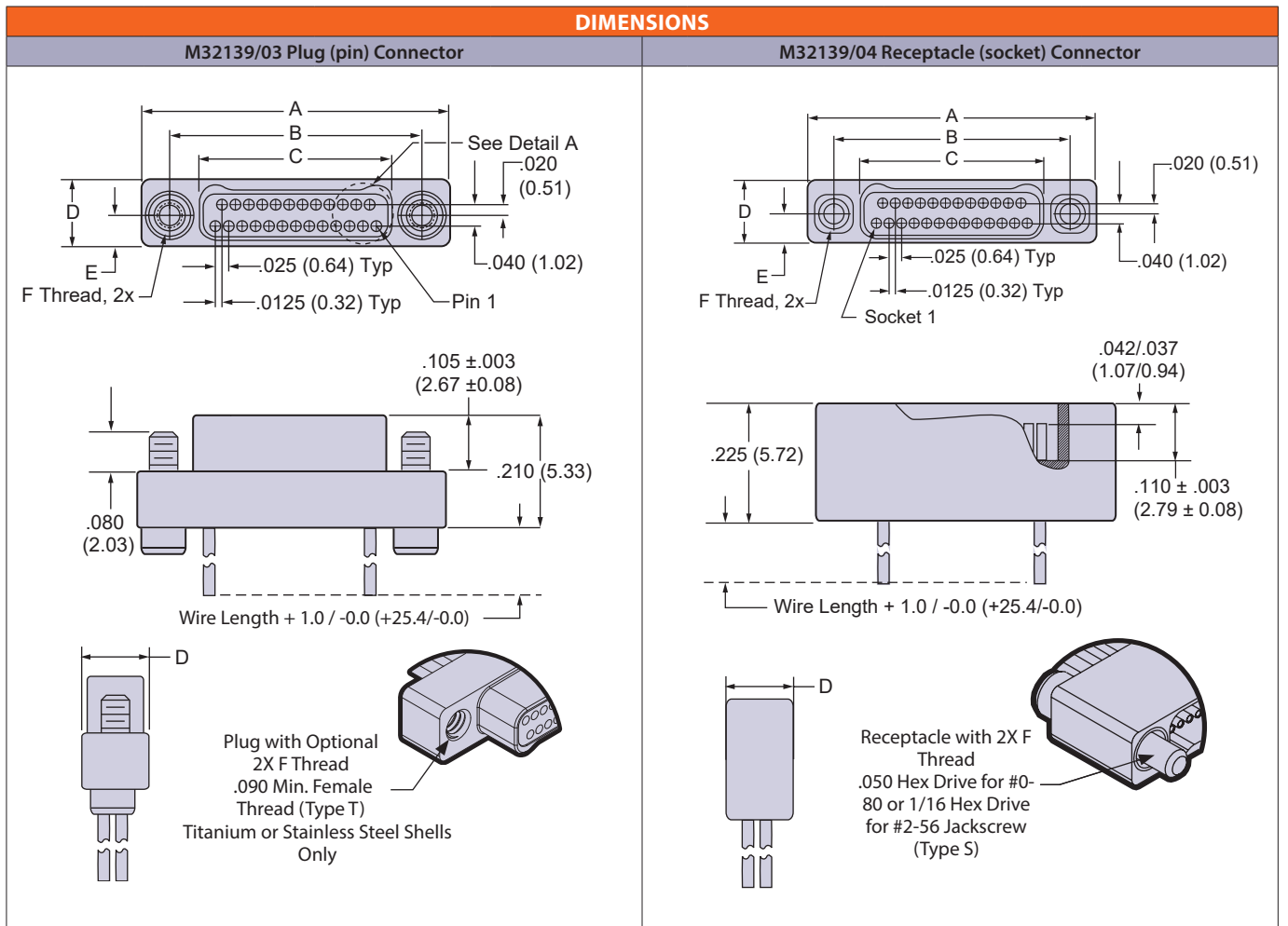
- Material and finish:
 - Shell: see part number breakdown
 - Insulator: LCP/N/A
 - Contacts: gold alloy/unplated
 - Wire: see part number breakdown
 - Hardware: stainless steel, passivated
- Inspect and Test IAW MIL-DTL-32139
- Interface dimensions per MIL-DTL-32139/3 & MIL-DTL-32139/4

M32139 WIRE TYPE				M32139 WIRE TYPE				M32139 WIRE TYPE			
Wire Type	Specification	Color	Length In (mm)	Wire Type	Specification	Color	Length In (mm)	Wire Type	Specification	Color	Length In (mm)
01	NEMA HP3-ETXBBB	White	6 (152.40)	13	04047-30A ⁽¹⁾	White	6 (152.40)	31	M22759/52-30-9	White	6 (152.40)
02	NEMA HP3-ETXBBB	White	18 (457.20)	14	04047-30A ⁽¹⁾	White	18 (457.20)	32	M22759/52-30-9	White	18 (457.20)
03	NEMA HP3-ETXBBB	White	36 (914.40)	15	04047-30A ⁽¹⁾	White	36 (914.40)	33	M22759/52-30-9	White	36 (914.40)
04	NEMA HP3-ETXBBB	10 Color ⁽²⁾	6 (152.40)	16	04047-30A ⁽¹⁾	10 Color ⁽²⁾	6 (152.40)	34	M22759/52-30-(-)	10 Color ⁽²⁾	6 (152.40)
05	NEMA HP3-ETXBBB	10 Color ⁽²⁾	18 (457.20)	17	04047-30A ⁽¹⁾	10 Color ⁽²⁾	18 (457.20)	35	M22759/52-30-(-)	10 Color ⁽²⁾	18 (457.20)
06	NEMA HP3-ETXBBB	10 Color ⁽²⁾	36 (914.40)	18	04047-30A ⁽¹⁾	10 Color ⁽²⁾	36 (914.40)	36	M22759/52-30-(-)	10 Color ⁽²⁾	36 (914.40)
07	M22759/33-30	White	6 (152.40)	25	M22759/51-30-9	White	6 (152.40)	1. DSCC 04047 is a special composite wire subject to additional cost and longer delivery. 2. Color coding per MIL-STF-681, System 1, except using ten solid colors in repeating sequence.			
08	M22759/33-30	White	18 (457.20)	26	M22759/51-30-9	White	18 (457.20)				
09	M22759/33-30	White	36 (914.40)	27	M22759/51-30-9	White	36 (914.40)				
10	M22759/33-30	10 Color ⁽²⁾	6 (152.40)	28	M22759/51-30-(-)	10 Color ⁽²⁾	6 (152.40)				
11	M22759/33-30	10 Color ⁽²⁾	18 (457.20)	29	M22759/51-30-(-)	10 Color ⁽²⁾	18 (457.20)				
12	M22759/33-30	10 Color ⁽²⁾	36 (914.40)	30	M22759/51-30-(-)	10 Color ⁽²⁾	36 (914.40)				

MIL-DTL-32139 NANOMINIATURE Single and Dual Row Rectangular Connectors



M32139/03 and /04 Plug and Receptacle, Dual Row Connectors with Insulated Wire



Layout	A ± .005(0.13)	B BSC.	C BSC.	D ± .005(0.13)	E BSC.	F Thread
9P	.375 (9.53)	.270 (6.86)	.160 (4.06)	.125 (3.18)	.0575 (1.46)	#0-80 UNF
9S	.375 (9.53)	.270 (6.86)	.163 (4.14)	.125 (3.18)	.0575 (1.46)	#0-80 UNF
15P	.450 (11.43)	.345 (8.76)	.235 (5.97)	.125 (3.18)	.0575 (1.46)	#0-80 UNF
15S	.450 (11.43)	.345 (8.76)	.238 (6.05)	.125 (3.18)	.0575 (1.46)	#0-80 UNF
21P	.525 (13.34)	.420 (10.67)	.310 (7.87)	.125 (3.18)	.0575 (1.46)	#0-80 UNF
21S	.525 (13.34)	.420 (10.67)	.313 (7.95)	.125 (3.18)	.0575 (1.46)	#0-80 UNF
25P	.575 (14.61)	.470 (11.94)	.360 (9.14)	.125 (3.18)	.0575 (1.46)	#0-80 UNF
25S	.575 (14.61)	.470 (11.94)	.363 (9.22)	.125 (3.18)	.0575 (1.46)	#0-80 UNF
31P	.650 (16.51)	.545 (13.84)	.435 (11.05)	.125 (3.18)	.0575 (1.46)	#0-80 UNF
31S	.650 (16.51)	.545 (13.84)	.438 (11.13)	.125 (3.18)	.0575 (1.46)	#0-80 UNF
37P	.725 (18.42)	.620 (15.75)	.510 (12.95)	.125 (3.18)	.0575 (1.46)	#0-80 UNF
37S	.725 (18.42)	.620 (15.75)	.513 (13.03)	.125 (3.18)	.0575 (1.46)	#0-80 UNF
51P	.900 (22.86)	.795 (20.19)	.685 (17.40)	.125 (3.18)	.0575 (1.46)	#0-80 UNF
51S	.900 (22.86)	.795 (20.19)	.688 (17.48)	.125 (3.18)	.0575 (1.46)	#0-80 UNF
65P	1.075 (27.31)	.970 (24.64)	.860 (21.84)	.125 (3.18)	.0575 (1.46)	#0-80 UNF
65S	1.075 (27.31)	.970 (24.64)	.863 (21.92)	.125 (3.18)	.0575 (1.46)	#0-80 UNF
69P	1.125 (28.58)	1.020 (25.91)	.910 (23.11)	.125 (3.18)	.0575 (1.46)	#0-80 UNF
69S	1.125 (28.58)	1.020 (25.91)	.913 (23.19)	.125 (3.18)	.0575 (1.46)	#0-80 UNF
85P	1.377 (34.98)	1.246 (31.65)	1.110 (28.19)	.150 (3.81)	.0700 (1.78)	#2-56 UNC
85S	1.377 (34.98)	1.246 (31.65)	1.113 (28.27)	.150 (3.81)	.0700 (1.78)	#2-56 UNC

M32139 SINGLE AND DUAL ROW RECTANGULAR CONNECTORS