

MIL-DTL-32139 NANOMINIATURE Single and Dual Row Rectangular Connectors

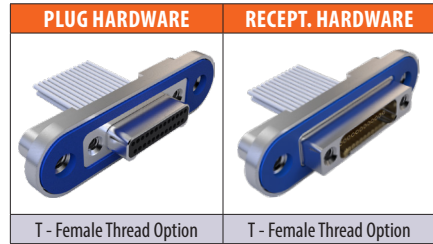


M32139/09 and /10 Plug and Receptacle, Dual Row Connectors with Insulated Wire

M32139 SINGLE AND DUAL ROW RECTANGULAR CONNECTORS



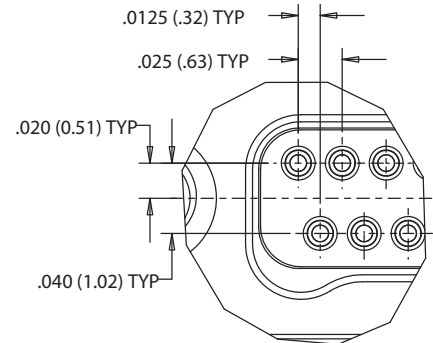
M32139/09 and /10 Insulated Wire Connectors feature gold alloy TwistPin contacts. Contacts are precision-crimped to insulated, stranded wire. These nanominiature connectors offer premium performance and reliability for demanding applications. Contact spacing is .025 inches. 1 amp current rating, DWV rating 250 volts AC.



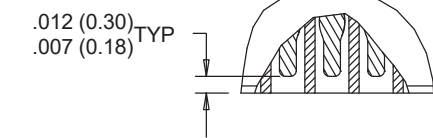
NOTES

- Material and finish:
 - Shell: see part number breakdown
 - Insulator: LCP/N/A
 - Contacts: gold alloy/unplated
 - Wire: see M32139 wire type table
- Inspect and Test IAW MIL-DTL-32139
- Interface dims. per MIL-DTL-32139/9 & /10
- Panel cutout allows connector mounting with lobes in either up or down orientation
- Recommended panel thickness .100 (2.5) max
- For replacement gasket see 899-015.

DETAIL A



DETAIL B



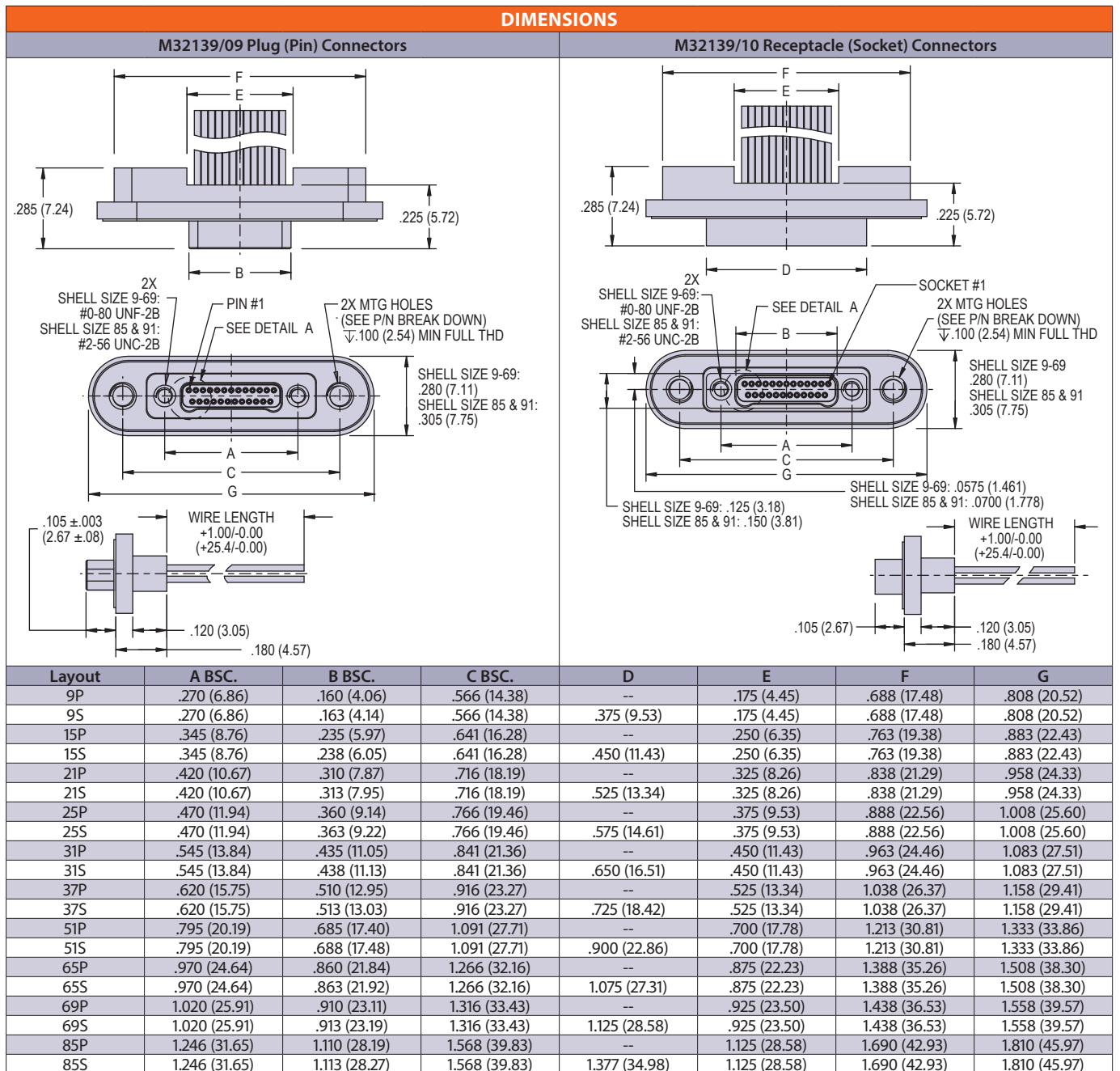
HOW TO ORDER	
Sample Part Number	M32139/09 -D 01 T S S 01 M
Series	M32139/09 = Plug, Pin Contacts, Dual Row, Nanominiature M32139/10 = Receptacle, Socket Contacts, Dual Row, Nanominiature
Insert Arrangements	A = 9 contacts B = 15 contacts C = 21 contacts D = 25 contacts E = 31 contacts F = 37 contacts G = 51 contacts H = 65 contacts J = 69 contacts K = 85 contacts
Wire Type	All wire types specify 30 AWG stranded wire. See M32139 Wire Type Table
Hardware	T = Threaded Hole
Shell Material and Finish	S = Stainless Steel, Passivated Finish T = Titanium (Unplated)
Space Class	(Omit) = Non-space applications S = Space Grade
Gasket Material	Omit for no gasket 01 = Fluorosilicone IAW MIL-DTL25988 Type II, Class I, Grade 70 02 = Passivated, silver plated aluminum filled fluorosilicone IAW MIL-DTL-83528, Type "D" (CHO-SEAL 1298 or equivalent) 03 = Nickel plated, aluminum filled fluorosilicone, (CHO-SEAL 6503 or equivalent)
Mounting Thread Option	(Omit) = #2-56 UNC-2B M = M2x0.4 6H

M32139 WIRE TYPE				M32139 WIRE TYPE				M32139 WIRE TYPE			
Wire Type	Specification	Color	Length In (mm)	Wire Type	Specification	Color	Length In (mm)	Wire Type	Specification	Color	Length In (mm)
01	NEMA HP3-ETXBBB	White	6 (152.40)	12	M22759/33-30	10 Color ⁽²⁾	36 (914.40)	29	M22759/51-30-()	10 Color ⁽²⁾	18 (457.20)
02	NEMA HP3-ETXBBB	White	18 (457.20)	13	04047-30A ⁽¹⁾	White	6 (152.40)	30	M22759/51-30-()	10 Color ⁽²⁾	36 (914.40)
03	NEMA HP3-ETXBBB	White	36 (914.40)	14	04047-30A ⁽¹⁾	White	18 (457.20)	31	M22759/52-30-9	White	6 (152.40)
04	NEMA HP3-ETXBBB	10 Color ⁽²⁾	6 (152.40)	15	04047-30A ⁽¹⁾	White	36 (914.40)	32	M22759/52-30-9	White	18 (457.20)
05	NEMA HP3-ETXBBB	10 Color ⁽²⁾	18 (457.20)	16	04047-30A ⁽¹⁾	10 Color ⁽²⁾	6 (152.40)	33	M22759/52-30-9	White	36 (914.40)
06	NEMA HP3-ETXBBB	10 Color ⁽²⁾	36 (914.40)	17	04047-30A ⁽¹⁾	10 Color ⁽²⁾	18 (457.20)	34	M22759/52-30-()	10 Color ⁽²⁾	6 (152.40)
07	M22759/33-30	White	6 (152.40)	18	04047-30A ⁽¹⁾	10 Color ⁽²⁾	36 (914.40)	35	M22759/52-30-()	10 Color ⁽²⁾	18 (457.20)
08	M22759/33-30	White	18 (457.20)	25	M22759/51-30-9	White	6 (152.40)	36	M22759/52-30-()	10 Color ⁽²⁾	36 (914.40)
09	M22759/33-30	White	36 (914.40)	26	M22759/51-30-9	White	18 (457.20)	1. DSCC 04047 is a special composite wire subject to additional cost and longer delivery. 2. Color coding per MIL-STF-681, System 1, except using ten solid colors in repeating sequence.			
10	M22759/33-30	10 Color ⁽²⁾	6 (152.40)	27	M22759/51-30-9	White	36 (914.40)				
11	M22759/33-30	10 Color ⁽²⁾	18 (457.20)	28	M22759/51-30-()	10 Color ⁽²⁾	6 (152.40)				

MIL-DTL-32139 NANOMINIATURE Single and Dual Row Rectangular Connectors



M32139/09 and /10 Plug and Receptacle, Dual Row Connectors with Insulated Wire



M32139 SINGLE AND DUAL ROW RECTANGULAR CONNECTORS

PANEL CUTOUT DIMENSIONS

Shell Size	C	M	N
SIZE-9	.566 (14.38)	.395 (10.03)	.155 (3.94)
SIZE-15	.641 (16.28)	.470 (11.94)	.155 (3.94)
SIZE-21	.716 (18.19)	.545 (13.84)	.155 (3.94)
SIZE-25	.766 (19.46)	.595 (15.11)	.155 (3.94)
SIZE-31	.841 (21.36)	.670 (17.02)	.155 (3.94)
SIZE-37	.916 (23.27)	.745 (18.92)	.155 (3.94)
SIZE-51	1.091 (27.71)	.920 (23.37)	.155 (3.94)
SIZE-65	1.266 (32.16)	1.095 (27.81)	.155 (3.94)
SIZE-69	1.316 (33.43)	1.145 (29.08)	.155 (3.94)
SIZE-85	1.568 (39.83)	1.397 (35.48)	.180 (4.57)

