

MATES WITH 892-007

Glenair Rear Panel Mount Breakaway Right Angle PCB Connectors feature gold alloy TwistPin contacts, offering premium performance and reliability for demanding applications.

Choose Aluminum or Stainless Steel Shells in 6 layouts from 4 to 55 contacts. These connectors are intermateable with nanominiature 892-007 plug connectors.

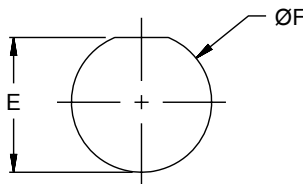
Pre-Tinned PC Tails are coated with Sn63Pb37 or Sn60Pb40 tin-lead for excellent solderability.

B

How To Order	
Sample Part Number	893 -010 -1-7 N A2 -0 D3 -T1
Series	893 = Nano Circular with PC Tails
Shell Style	010 = Rear Panel Mount Breakaway Receptacle
Shell Size/Contact Arrangement	1-4 = Shell Size 1 with 4 contacts 3-37 = Shell Size 3 with 37 contacts 1-7 = Shell Size 1 with 7 contacts 4-44 = Shell Size 4 with 44 contacts 2-19 = Shell Size 2 with 19 contacts 4-55 = Shell Size 4 with 55 contacts See Receptacle Mating Face View and Contact Layout Table
Polarization	N = Normal A = Alternate
Shell Material/Finish	A2 = Aluminum/Electroless Nickel S1 = Stainless Steel/Zinc Cobalt (Black) A5 = Aluminum/Gold Over Nickel S2 = Stainless Steel/Passivated
Wire Gauge	0 = 30 AWG
Wire Type	D3 = Single Strand Copper Alloy Wire Uninsulated, Pre-tinned
PC Tail Length (inches)	T1 = .080 Lead Top T3 = .140 Lead Top B1 = .080 Lead Bottom B3 = .140 Lead Bottom T2 = .110 Lead Top T4 = .170 Lead Top B2 = .110 Lead Bottom B4 = .170 Lead Bottom

Receptacle Mating Face View and Contact Layout					
Size 1-4 4 Contacts	Size 1-7 7 Contacts	Size 2-19 19 Contacts	Size 3-37 37 Contacts	Size 4-44 44 Contacts	Size 4-55 55 Contacts

Rear Panel Mount Panel Cut-Out		
Size	E +.002 / -.001	Ø F +.002 / -.001
1-4	.260 (6.6)	.280 (7.1)
1-7	.260 (6.6)	.280 (7.1)
2-19	.318 (8.1)	.340 (8.6)
3-37	.361 (9.2)	.378 (9.6)
4-44	.401 (10.2)	.420 (10.7)
4-55	.401 (10.2)	.420 (10.7)

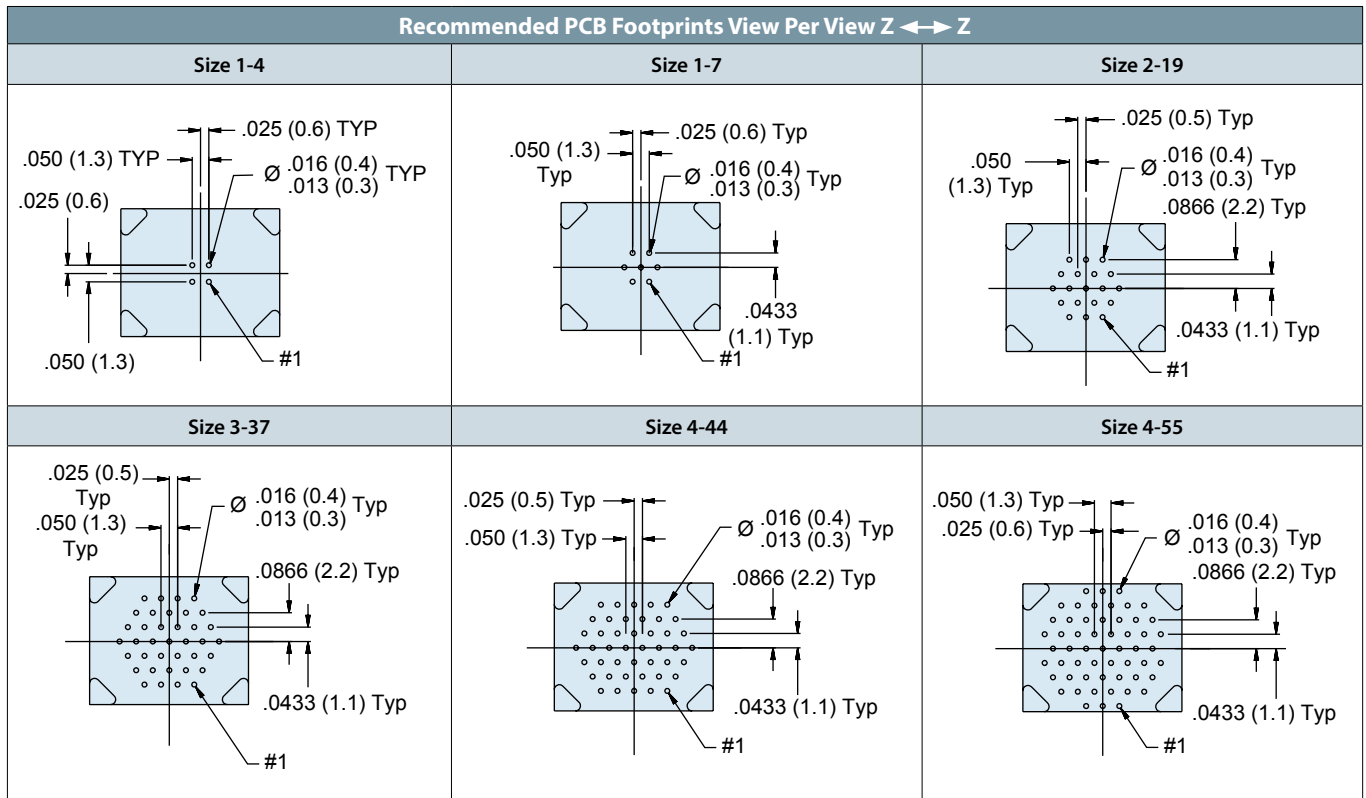
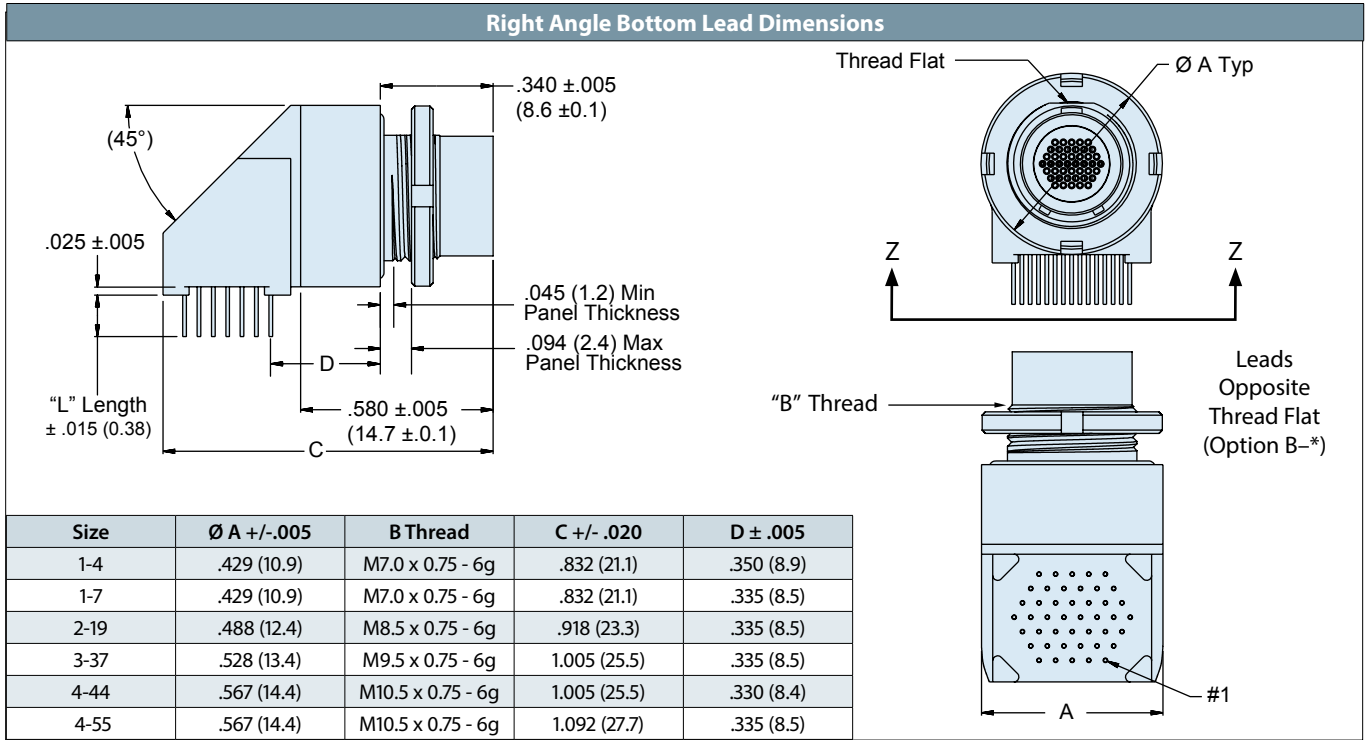


NOTES

- Material/Finish:
 - Shell/spanner nut - see part number breakdown
 - Insulator - LCP/na
 - Socket contacts - gold alloy
 - O-rings - fluorosilicone/na
 - Internal latching spring - stainless steel/gold plated
 - PCB tray(s) - LCP/na
 - PC tails - copper alloy/pre-tinned Sn63/Pb37

Rear Panel Mount, Breakaway Receptacle with Right Angle PC Tails – Dimensions and PCB Footprints

B



Rear Panel Mount, Breakaway Receptacle with Right Angle PC Tails – Dimensions and PCB Footprints

B

