

**Vertical Surface Mount PCB Connectors** feature gold alloy TwistPin contacts. These nanomimiatue connectors offer premium performance and reliability for demanding applications. Available with #0-80 female threads and #0-80 jackscrew threads.

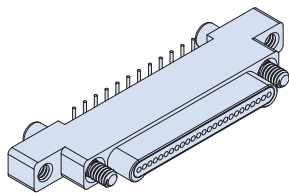
**Pre-Tinned PC Tails** are coated with Sn60Pb40 or Sn63Pb37 tin-lead for excellent solderability.

**Choose Aluminum, Titanium or Stainless Steel Shells** in eight layouts from 5 to 51 contacts. These connectors are intermateable with any corresponding Glenair Series 890 single row metal shell nanomimiatue connector.

How to Order

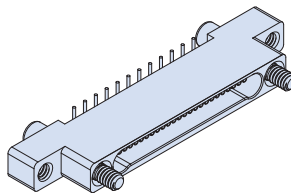
|   |  |             |   |             |          |
|---|--|-------------|---|-------------|----------|
| <b>Sample Part Number</b>                   | <b>890-017</b>   | <b>-25P</b> | <b>A2</b>   | <b>-BSS</b> | <b>J</b> |
| <b>Series</b>                               | <b>890-017</b> = Vertical, Surface Mount PCB Plug<br><b>890-018</b> = Vertical, Surface Mount PCB Receptacle                       |             |   |             |          |
| <b>Insert Arrangement/<br/>Contact Type</b> | Plugs (890-017): <b>5P, 9P, 15P, 21P, 25P, 31P, 37P, 51P</b><br>Receptacles (890-018): <b>5S, 9S, 15S, 21S, 25S, 31S, 37S, 51S</b> |             |   |             |          |
| <b>Shell Material<br/>and Finish</b>        | <b>A1</b> = Aluminum Shell, Cadmium Plating<br><b>A2</b> = Aluminum Shell, Electroless Nickel Plating                              |             | <b>S</b> = Stainless Steel Shell, Passivated<br><b>T</b> = Titanium Shell, Unplated |             |          |
| <b>Termination Type</b>                     | <b>BSS</b> = Board Straight Surface Mount  |             |   |             |          |
| <b>Hardware</b>                             | <b>J</b> = Hex Head Jackscrew  |             |   |             |          |

Plug (Pin) Connector



J - Jackscrew

Receptacle (Socket) Connector

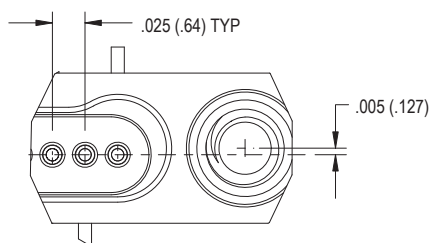


J - Jackscrew

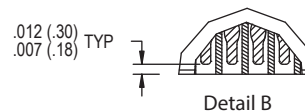
NOTES

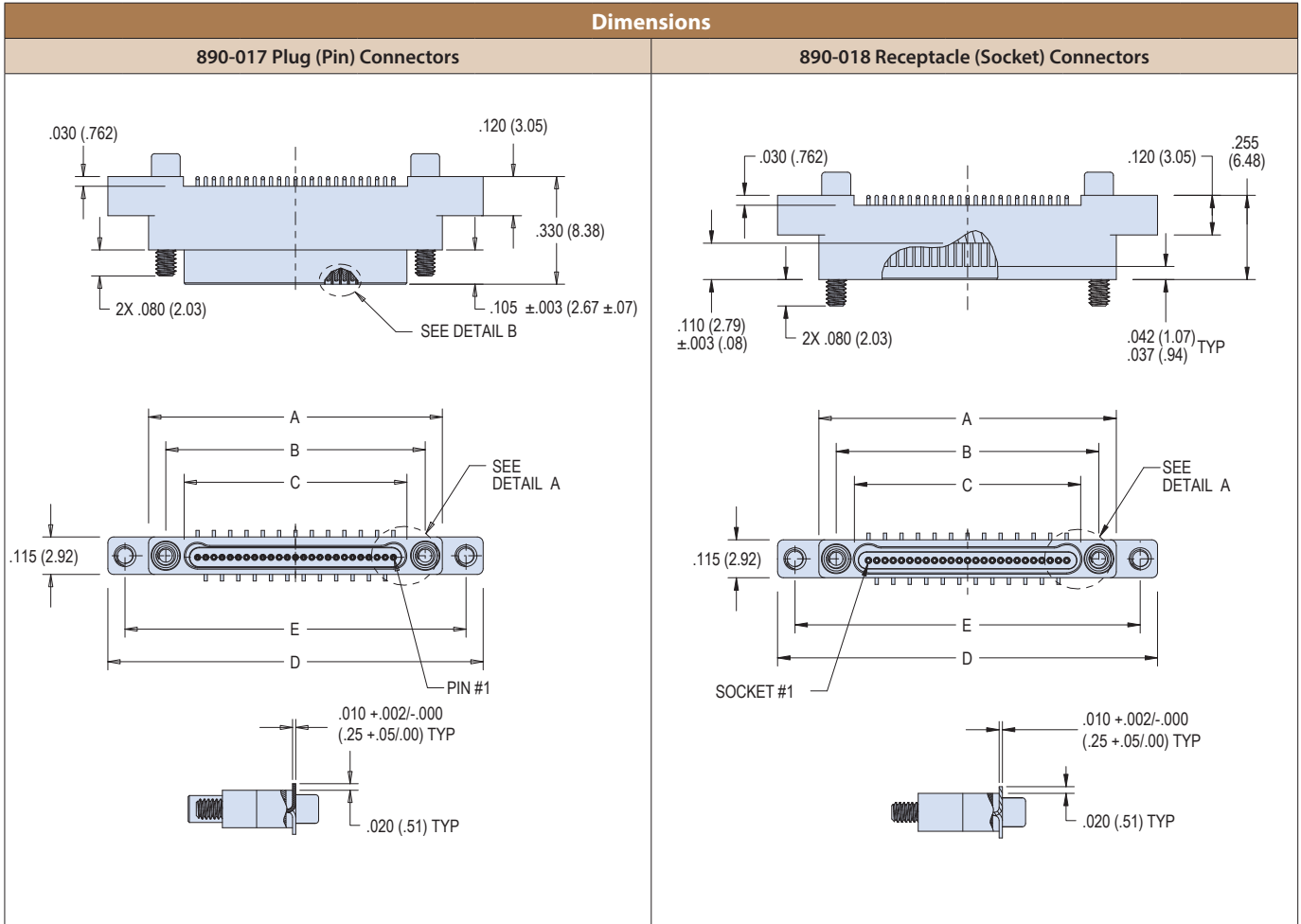
- Material and finish:
  - Shell: see part number breakdown
  - Insulator: LCP N/A
  - Contacts: gold alloy/unplated
  - Pre-tinned PC tails: coated with Sn63Pb37 or Sn60Pb40 tin-lead
  - Hardware: stainless steel, passivated
- Inspect and Test IAW MIL-DTL-32139
- Interface dimensions per MIL-DTL-32139/1 and MIL-DTL-32139/2

DETAIL A

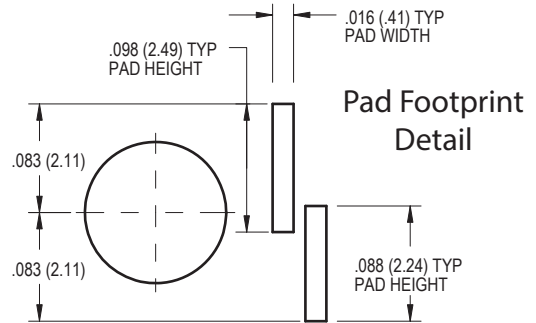
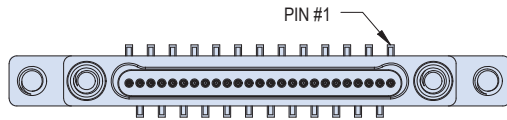


DETAIL B

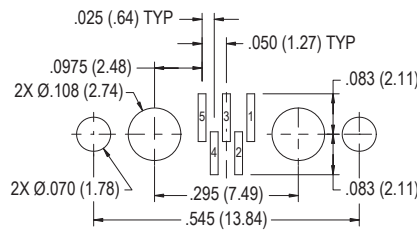




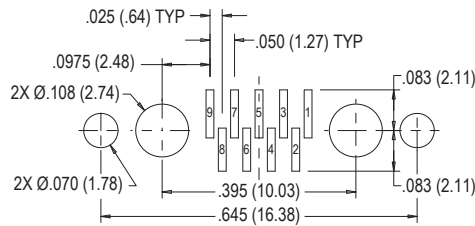
| Layout | A          |            | B BSC. |       | C BSC. |       | D     |       | E BSC. |       |
|--------|------------|------------|--------|-------|--------|-------|-------|-------|--------|-------|
|        | In. ± .005 | mm. ± 0.13 | In.    | mm.   | In.    | mm.   | In.   | mm.   | In.    | mm.   |
| 5P     | .400       | 10.16      | .295   | 7.49  | .184   | 4.67  | .650  | 16.51 | .545   | 13.84 |
| 5S     | .400       | 10.16      | .295   | 7.49  | .185   | 4.70  | .650  | 16.51 | .545   | 13.84 |
| 9P     | .500       | 12.70      | .395   | 10.03 | .284   | 7.21  | .750  | 19.05 | .645   | 16.38 |
| 9S     | .500       | 12.70      | .395   | 10.03 | .285   | 7.24  | .750  | 19.05 | .645   | 16.38 |
| 15P    | .650       | 16.51      | .545   | 13.84 | .434   | 11.02 | .900  | 22.86 | .795   | 20.19 |
| 15S    | .650       | 16.51      | .545   | 13.84 | .435   | 11.05 | .900  | 22.86 | .795   | 20.19 |
| 21P    | .800       | 20.32      | .695   | 17.65 | .584   | 14.83 | 1.050 | 26.67 | .945   | 24.00 |
| 21S    | .800       | 20.32      | .695   | 17.65 | .585   | 14.86 | 1.050 | 26.67 | .945   | 24.00 |
| 25P    | .900       | 22.86      | .795   | 20.19 | .684   | 17.37 | 1.150 | 29.21 | 1.045  | 26.54 |
| 25S    | .900       | 22.86      | .795   | 20.19 | .685   | 17.40 | 1.150 | 29.21 | 1.045  | 26.54 |
| 31P    | 1.050      | 26.67      | .945   | 24.00 | .834   | 21.18 | 1.300 | 33.02 | 1.195  | 30.35 |
| 31S    | 1.050      | 26.67      | .945   | 24.00 | .835   | 21.21 | 1.300 | 33.02 | 1.195  | 30.35 |
| 37P    | 1.200      | 30.48      | 1.095  | 27.81 | .984   | 24.99 | 1.450 | 36.83 | 1.345  | 34.16 |
| 37S    | 1.200      | 30.48      | 1.095  | 27.81 | .985   | 25.02 | 1.450 | 36.83 | 1.345  | 34.16 |
| 51P    | 1.550      | 39.37      | 1.445  | 36.70 | 1.334  | 33.88 | 1.800 | 45.72 | 1.695  | 43.05 |
| 51S    | 1.550      | 39.37      | 1.445  | 36.70 | 1.335  | 33.91 | 1.800 | 45.72 | 1.695  | 43.05 |



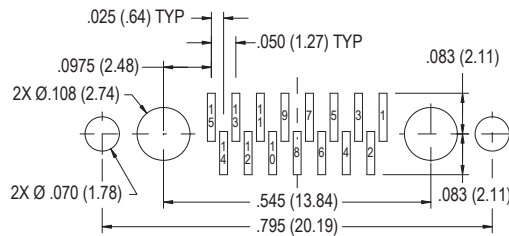
**5 Contacts**



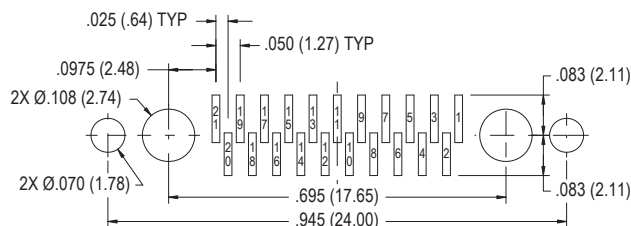
**9 Contacts**



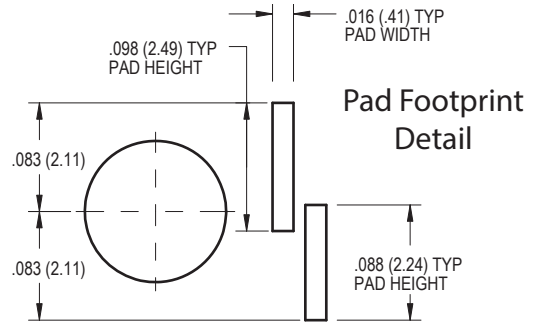
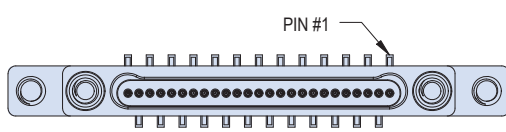
**15 Contacts**



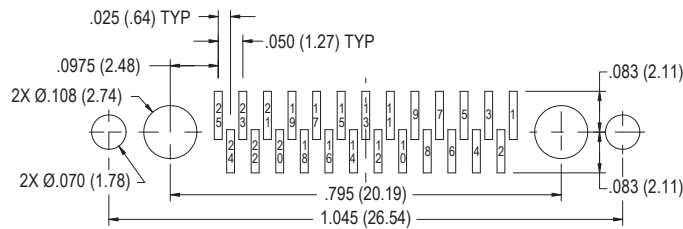
**21 Contacts**



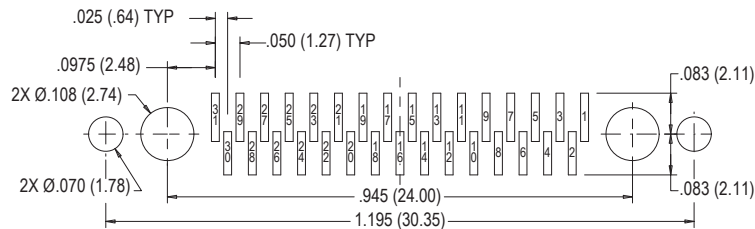
**Layouts shown are for connector mounting side of PC Board.**



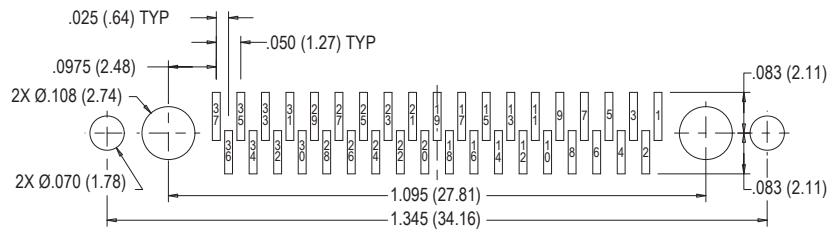
**25 Contacts**



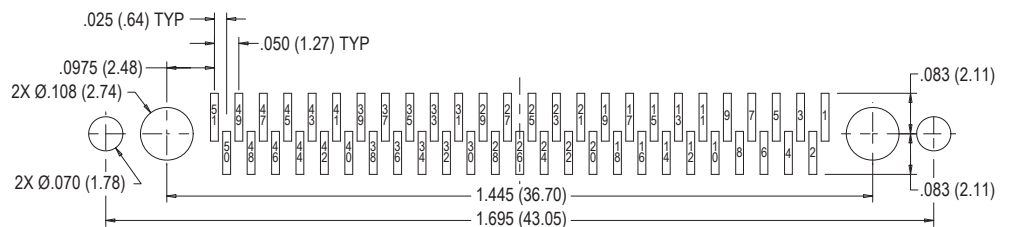
**31 Contacts**



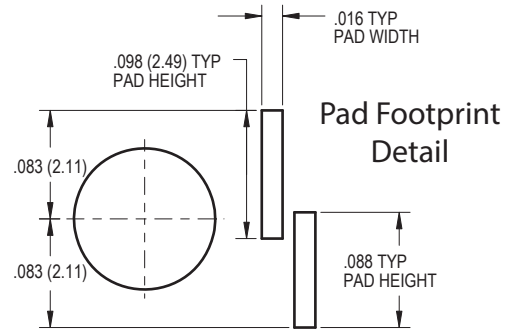
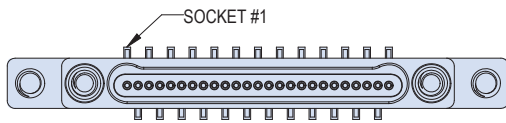
**37 Contacts**



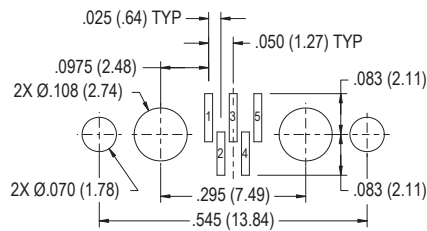
**51 Contacts**



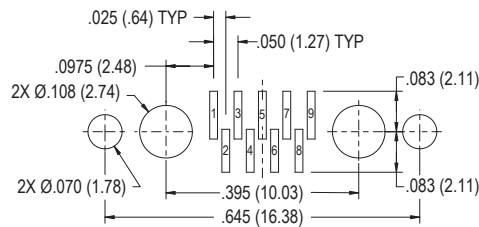
**Layouts shown are for connector mounting side of PC Board.**



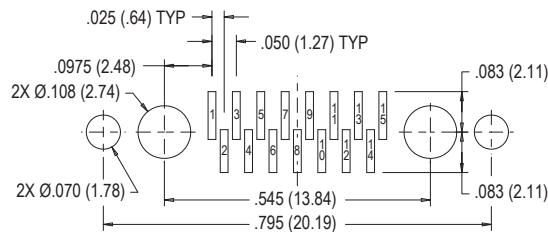
**5 Contacts**



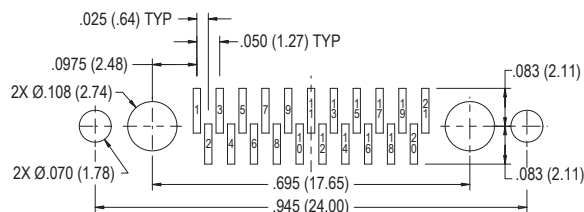
**9 Contacts**



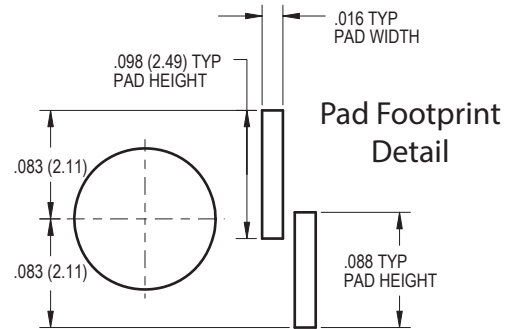
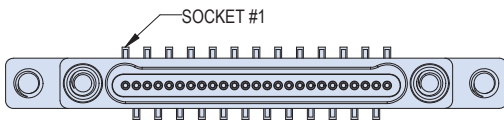
**15 Contacts**



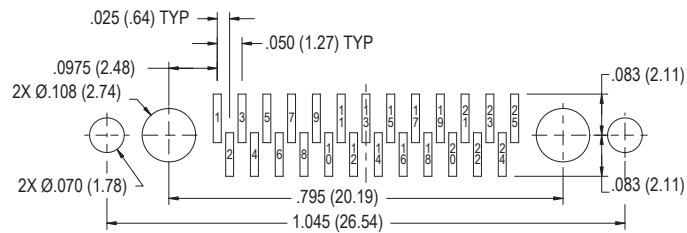
**21 Contacts**



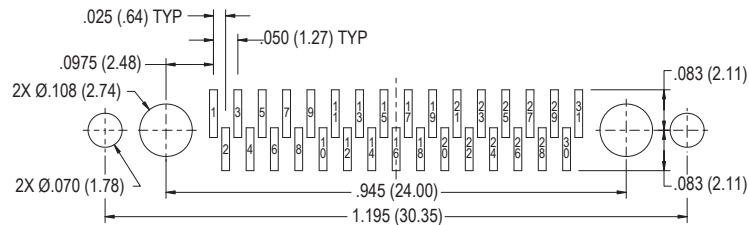
Layouts shown are for connector mounting side of PC Board.



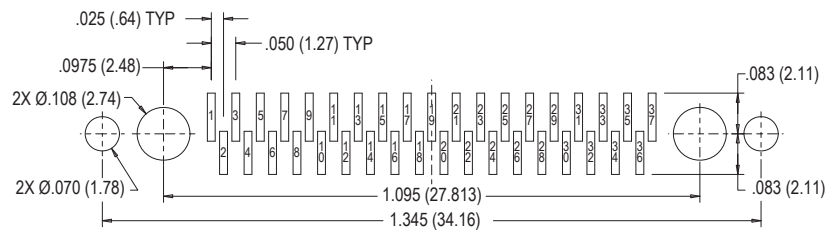
**25 Contacts**



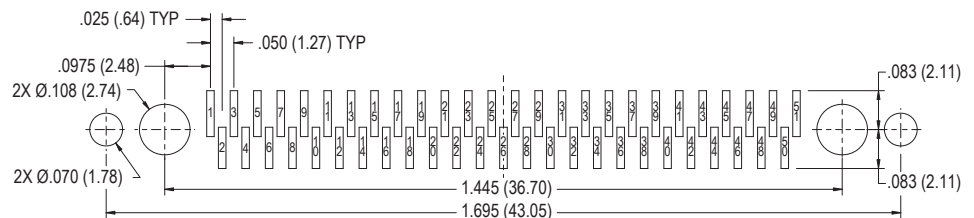
**31 Contacts**



**37 Contacts**



**51 Contacts**



**Layouts shown are for connector mounting side of PC Board.**