

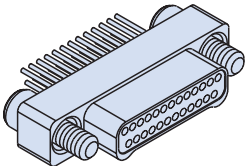
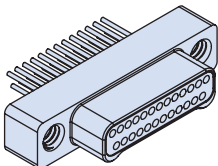
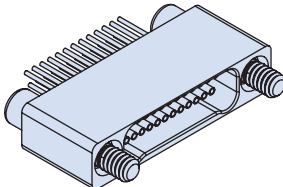
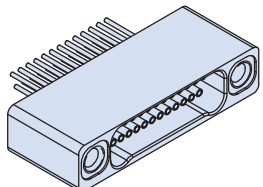
Nanominiature Connectors with Uninsulated Wire feature gold alloy TwistPin contacts. Contacts are precision-crimped to uninsulated wire. These nanominiature connectors offer premium performance and reliability for demanding applications. Contact spacing is .025 inches. 1 amp current rating, DWV rating 250 volts AC. Wire gages #30 and #32 AWG.

TwistPin Contact System assures premium performance in demanding environments. The gold alloy contacts will stand up to years of exposure without corrosion.

Typical Applications include UAV's, satellites, missile systems and geophysical instruments.

How to Order	
Sample Part Number	891-003 -9P A2 -0 D3 -.125 J
Series	891-003 = Plug 891-004 = Receptacle
Insert Arrangement/ Contact Type	Plugs (891-003): 9P, 15P, 21P, 25P, 31P, 37P, 41P, 51P, 65P, 69P, 85P Receptacles (891-004): 9S, 15S, 21S, 25S, 31S, 37S, 41S, 51S, 65S, 69S, 85S
Shell Material and Finish	A1 = Aluminum Shell, Cadmium Plating S = Stainless Steel Shell, Passivated A2 = Aluminum Shell, Electroless Nickel Plating T = Titanium Shell, Unplated
Wire Gage	0 = #30 AWG 2 = #32 AWG
Wire Type	D3 = Single Strand Copper Wire, Uninsulated with Gold Plating
Wire Length	.125, .250, .375, .500
Hardware	J = Jackscrew T = Female Thread* *Female threads are available on plug connectors only if the shell material is titanium or stainless steel.

D

Plug (Pin) Connector		Receptacle (Socket) Connector	
			
J - Jackscrew Option	T - Female Thread Option	J - Jackscrew Option	T - Female Thread Option

NOTES

- Material and Finishes:
 - Shell: see part number break down
 - insulator: LCP/N/A
 - Contacts: gold alloy / unplated
 - Wire: see part number break down
 - Hardware: passivated stainless steel
- Inspect and test IAW MIL-DTL-32139
- Interface dimensions per MIL-DTL-32139/3 & /4

