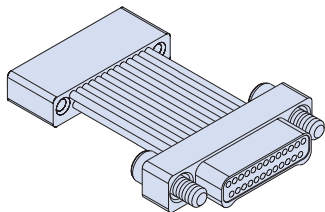




SERIES 89 Dual Row Connectors



Back-to-Back Cable Assembly How to Order



Glenair Back-To-Back Cable Assemblies are offered in three configurations and feature gold alloy TwistPin contacts. Contacts are precision-crimped to insulated, stranded wire. These nanominiature connectors offer premium performance and reliability for demanding applications. Contact spacing is .025 inches. 1 amp current rating, DWV rating 250 volts AC. Wire gages #30 and #32 AWG.

TwistPin Contact System assures premium performance in demanding environments. The gold alloy contacts will stand up to years of exposure without corrosion.

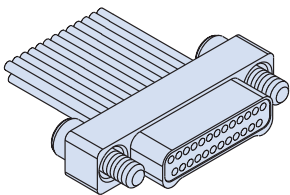
How To Order

Sample Part Number	891-005	-9	GP	A1	-0	A	1	-12	JJ
Series	891-005 Back-To-Back Cables, Dual Row, Nanominiature								
Number of Contacts	9, 15, 21, 25, 31, 37, 41, 51, 65, 69, 85								
Connector Type	GP = Plug (Pin) Connector on Both Ends GS = Receptacle (Socket) Connector on Both Ends CS = Plug (Pin) On One End, Receptacle On The Other End								
Shell Material and Finish	A1 = Aluminum Shell, Cadmium Plating A2 = Aluminum Shell, Electroless Nickel Plating				T = Titanium Shell, Unplated S = Stainless Steel Shell, Passivated				
Wire Gage	0 = #30 AWG 2 = #32 AWG (Wire Type B only)								
Wire Type	A = Ultra Lightweight XLETFE Insulation, Silver Coated Ultra High Strength Copper. (Not available in #32 AWG) B = Extruded PTFE Insulation, Silver Coated Copper NEMA HP3-ETX (MIL-W-16878/6) C = Cross Linked Modified ETFE Insulation, Silver Coated High Strength Copper. MIL-W-22759/33 (Not available in #32 AWG)								
Wire Color Code	1= White 2 = Yellow 7 = 10 Color Repeating (wire type A is striped, types B and C are solid colors)								
Length	Overall Length In Inches Including Connectors Example: "12" specifies 12 inches OAL; 2" minimum								
Hardware	JJ = Jackscrews on both ends (GP, GS, CS) JT = Jackscrews on plug, threaded holes on receptacle (CS) JP = Jackscrews on plug, threaded holes on plug (GP)*			TJ = Jackscrews on receptacle, threaded holes on plug (CS)* JR = Jackscrews on receptacle, threaded holes on receptacle (GS) TT = Threaded holes both ends (GP, CS)*			*Female threads are available on plug connectors only if the shell material is titanium or stainless steel.		

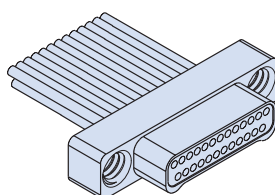
D

Plug (Pin) Connector

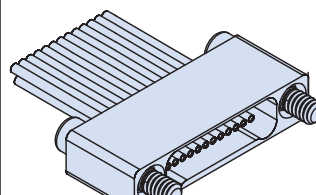
Receptacle (Socket) Connector



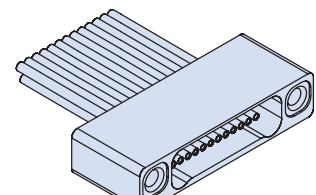
J - Jackscrew Option



T - Female Thread Option

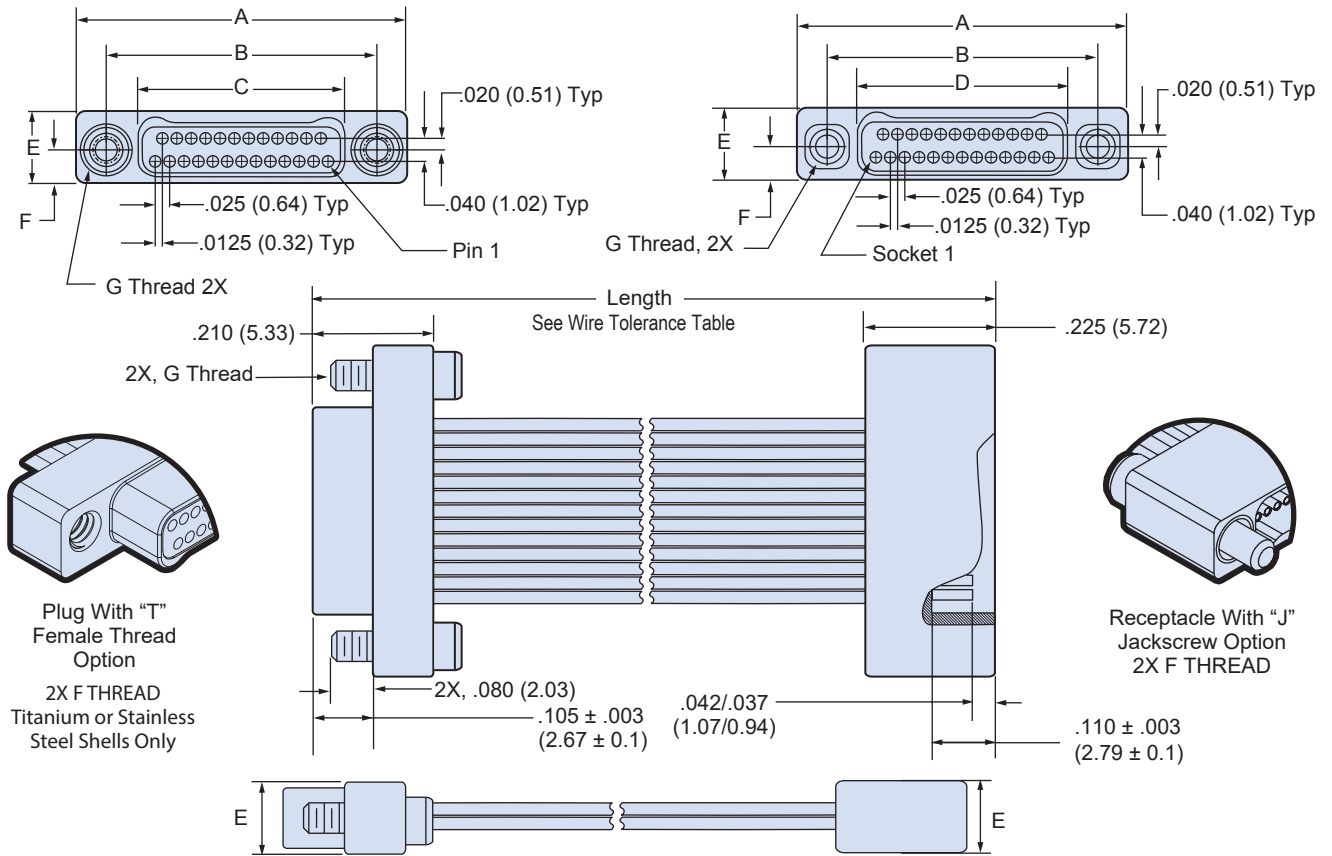


J - Jackscrew Option



T - Female Thread Option

Back-to-Back Plug and Receptacle Connector Dimensions



Layout	A		B BSC.		C BSC. (Plug)		D BSC (Receptacle)		E		F		G Thread
	In. ± .005	mm. ± 0.13	In.	mm.	In.	mm.	In.	mm.	In. ±.005	mm ±0.13	In.	mm	
9	.375	9.52	.270	6.86	.160	4.06	.163	4.14	.125	3.18	.0575	1.46	#0-80 UNF
15	.450	11.43	.345	8.76	.235	5.97	.238	6.05	.125	3.18	.0575	1.46	#0-80 UNF
21	.525	13.33	.420	10.67	.310	7.87	.313	7.95	.125	3.18	.0575	1.46	#0-80 UNF
25	.575	14.60	.470	11.94	.360	9.14	.363	9.22	.125	3.18	.0575	1.46	#0-80 UNF
31	.650	16.51	.545	13.84	.435	11.05	.438	11.13	.125	3.18	.0575	1.46	#0-80 UNF
37	.725	18.41	.620	15.75	.510	12.95	.513	13.03	.125	3.18	.0575	1.46	#0-80 UNF
41	.775	19.69	.670	17.02	.560	14.23	.563	14.30	.125	3.18	.0575	1.46	#0-80 UNF
51	.900	22.86	.795	20.19	.685	17.40	.688	17.48	.125	3.18	.0575	1.46	#0-80 UNF
65	1.075	27.30	.970	24.64	.860	21.84	.863	21.92	.125	3.18	.0575	1.46	#0-80 UNF
69	1.125	28.57	1.020	25.91	.910	23.11	.913	23.19	.125	3.18	.0575	1.46	#0-80 UNF
85	1.377	34.97	1.246	31.65	1.110	28.19	1.113	28.27	.150	3.81	.0700	1.78	#2-56 UNC

Wire Length Tolerance	
Length Range	Tolerance
2" - 48"	+0.50/-0.00
>48" - 72"	+1.00/-0.00
>72" - 120"	+2.00/0.00
>120"	+4.00/-0.00