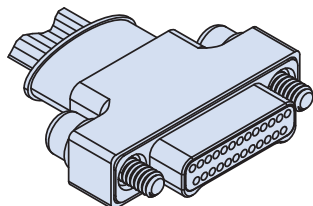




SERIES 89 Dual Row Connectors



Connector with Straight, 45° or 90° Angle, Factory Installed Backshell and Insulated Wire – How to Order



Nano Connectors with Pre-installed Backshell and Insulated Wire.

Factory terminated and available with three backshell styles (straight, 45° and 90° angle), provide premium performance, reliability and functionality for demanding applications. Contact spacing is .025 inches. 1 amp current rating, DWV rating 250 volts AC. Wire gages #30

and #32 AWG.

Wire Type and Shield/Jacket Options

include ultra lightweight XLETFE insulation, Extruded PTFE insulation and cross linked modified ETFE insulation. Shield options include Amberstrand®, Amorlite™ and nickel plated copper with or without E-CTFE halar jacket

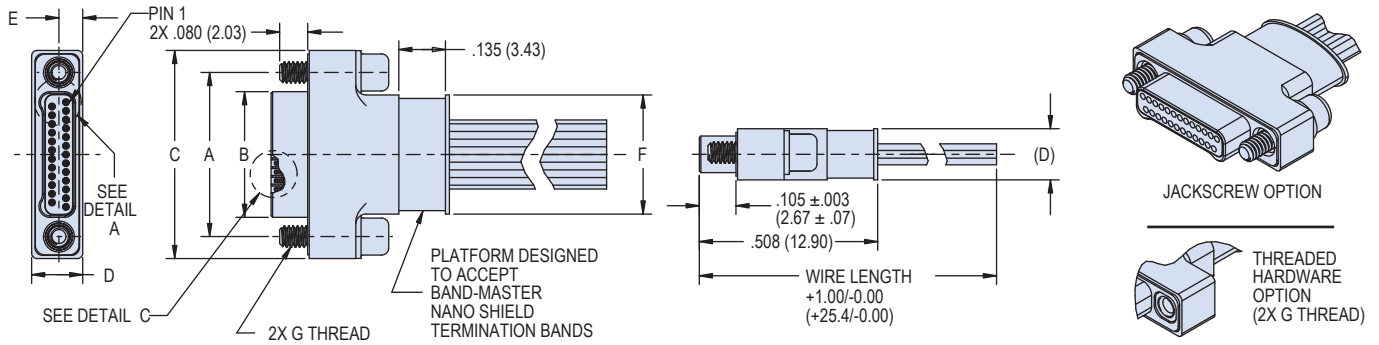
How to Order

Sample Part Number	891-031	-25P	A2	N	-0	B	7	-12	J	C
Series	891-031 = Plug or Receptacle									
Insert Arrangement/ Contact Type	Plugs: 9P, 15P, 21P, 25P, 31P, 37P, 41P, 51P, 65P, 69P, 85P Receptacles: 9S, 15S, 21S, 25S, 31S, 37S, 41S, 51S, 65S, 69S, 85S									
Backshell/Shell Material and Finish	A1 = Aluminum Shell, Cadmium Plating A2 = Aluminum Shell, Electroless Nickel Plating T = Titanium Shell, Unplated S = Stainless Steel Shell, Passivated									
Backshell Orientation	H = 45°, Lobe Side Exit L = 90°, Lobe Side Exit K = 45°, Major Side Exit M = 90°, Major Side Exit N = Straight, No Orientation									
Wire Gage	0 = 30 AWG 2 = 32 AWG (wire type "B" only)									
Wire Type	A = Ultra Lightweight XLETFE Insulation, Silver Coated Ultra High Strength Copper. (Not available in #32 AWG) B = Extruded PTFE Insulation, Silver Coated Copper NEMA HP3-ETX (MIL-W-16878/6) C = Cross Linked Modified ETFE Insulation, Silver Coated High Strength Copper. MIL-W-22759/33 (Not available in #32 AWG)									
Wire Color	1 = White 2 = Yellow 7 = 10 Color Repeating* * (Wire Type A is striped, Types B & C are solid colors)									
Wire Length	Wire Length in Inches, i.e. 12 = 12 inches									
Hardware	J = Jackscrew T = Female Thread									
Shield/Jacket Options	N = No Shield, No Jacket V = 75% Braided Amberstrand Shield Installed A = Braided Shield Installed (Nickel Plated Copper) W = Armorlite Braided Microfilament Stainless Steel Shield Installed C = Braided Shield Installed (Nickel Plated Copper), with E-CTFE Halar "Expando" Jacket (+150° C) X = Armorlite Braided Microfilament Stainless Steel Shield Installed with E-CTFE Halar "Expando" Jacket (+150° C) D = No Shield, with E-CTFE Halar "Expando" Jacket (+150° C) Z = 75% Braided Amberstrand Shield Installed, with E-CTFE Halar "Expando" Jacket (+150° C) S = 100% Braided Amberstrand Shield Installed T = 100% Braided Amberstrand Shield Installed, with E-CTFE Halar "Expando" Jacket (+150° C)									

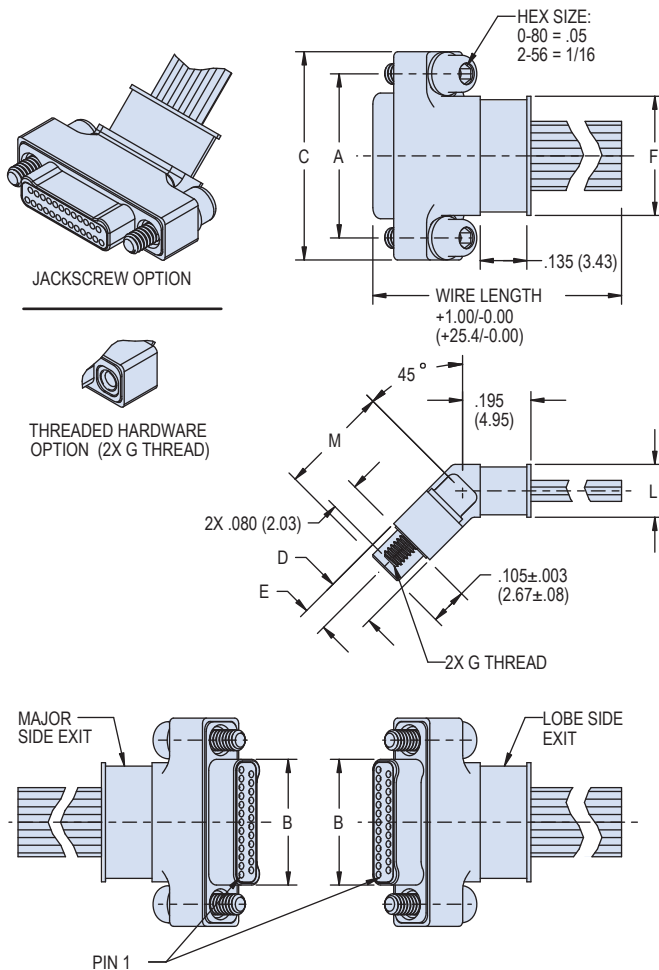
NOTES

- Material and Finish
 - Shell: see part number break down
 - insulator: LCP/N/A
 - Contacts: gold alloy / unplated
 - Wire: see part number break down
 - Hardware: stainless steel, passivated
 - Band clamp: (shield termination when applicable) stainless steel
- Inspected and tested IAW MIL-DTL-32139
- Interface dimensions per MIL-DTL-32139/3 and MIL-DTL-32139/4

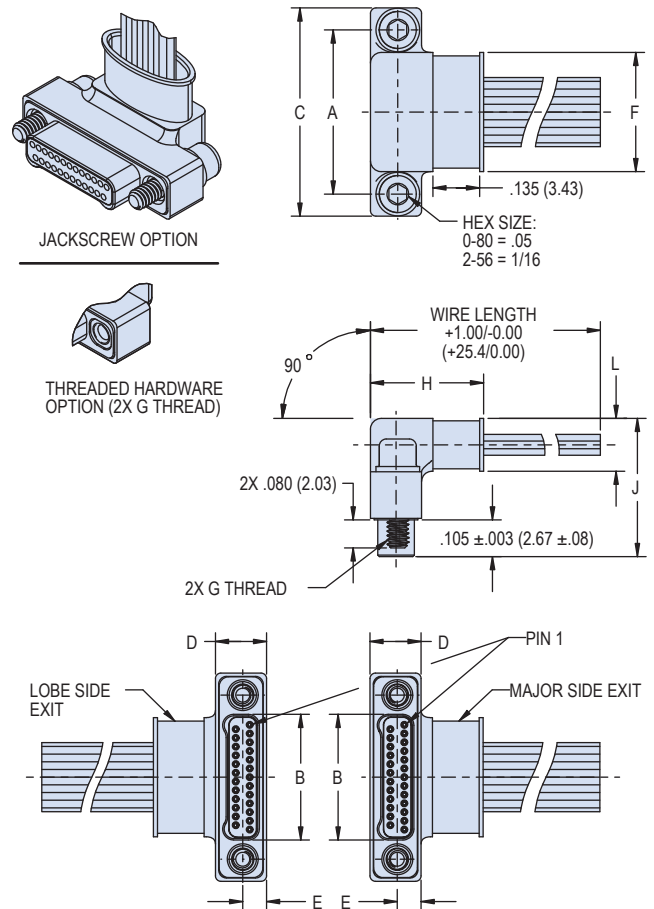
891-031 PLUG WITH STRAIGHT BACKSHELL



891-031 PLUG WITH 45° BACKSHELL

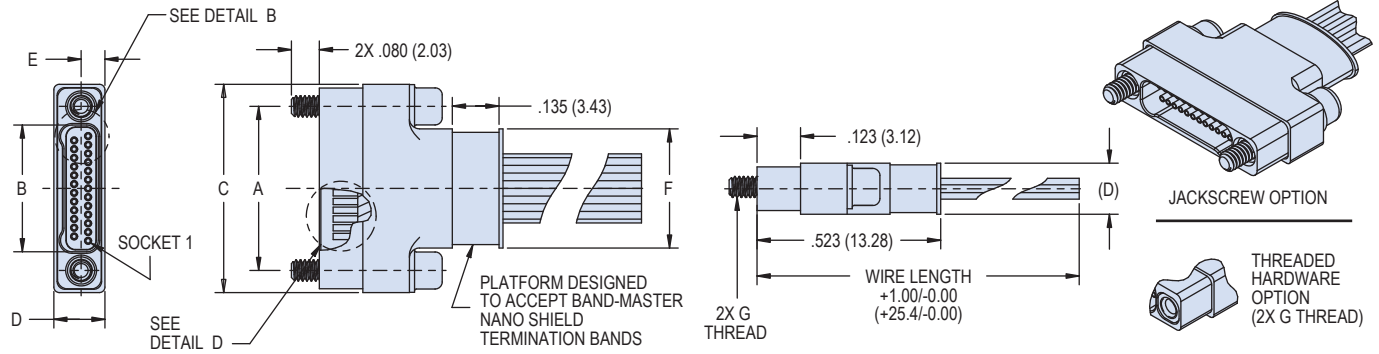


891-031 PLUG WITH 90° BACKSHELL

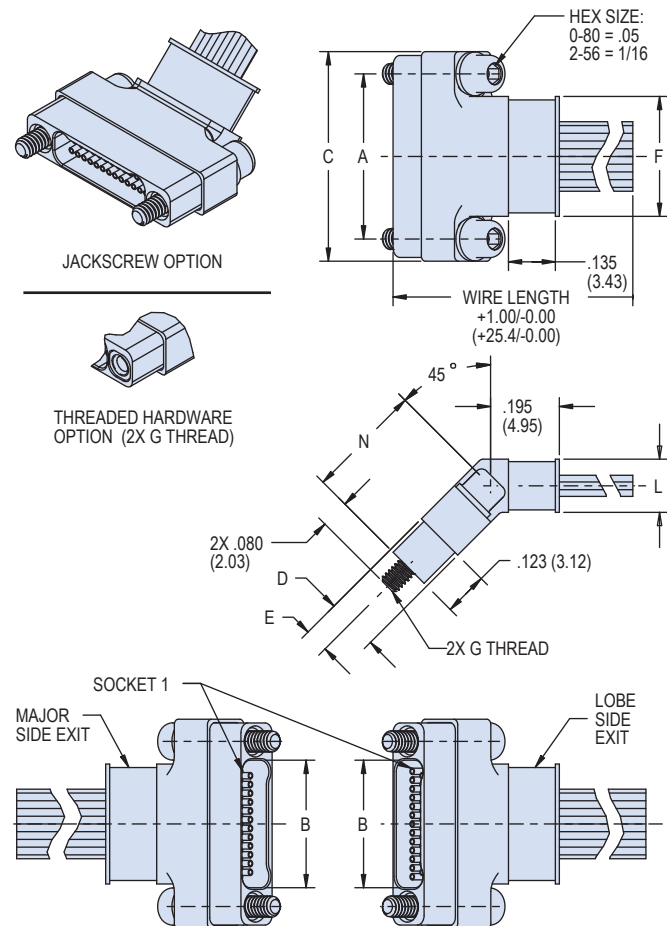


SPECIFY EXIT SIDE IN P/N

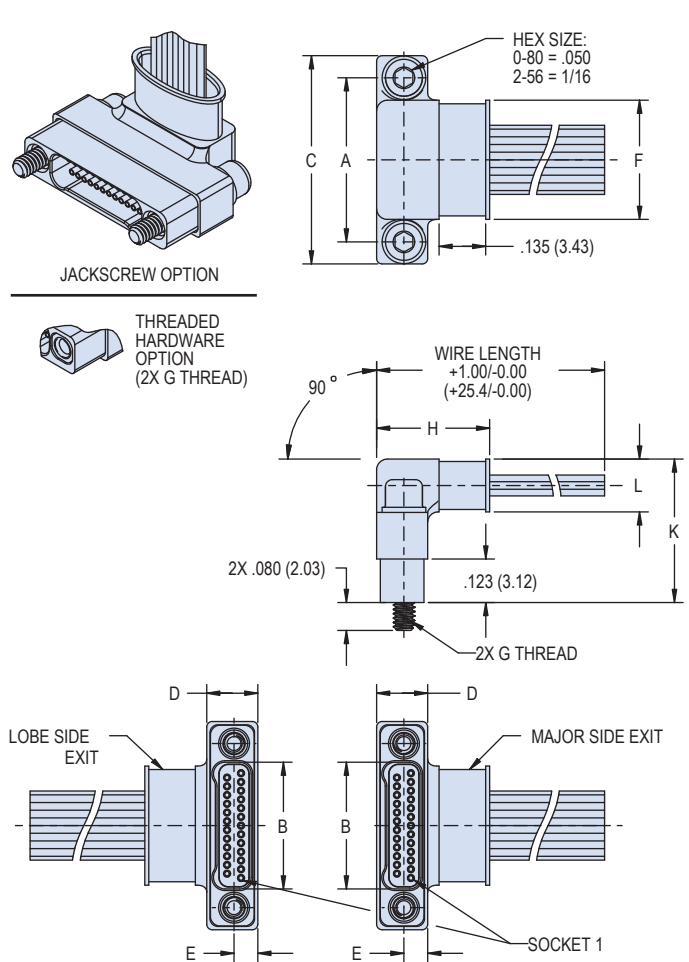
891-031 RECEPTACLE STRAIGHT BACKSHELL



891-031 RECEPTACLE WITH 45° BACKSHELL



891-031 RECEPTACLE WITH 90° BACKSHELL

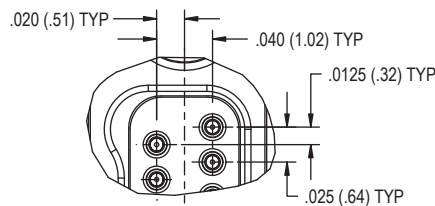


SPECIFY EXIT SIDE IN P/N

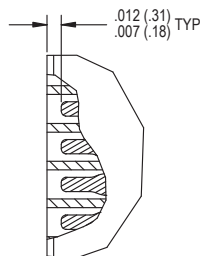
Plug Dimensions																					
Layout	A BSC.		B BSC.		C		D		E		F		G	H		J		L		M	
	In	mm	In	mm	In	mm	In	mm	In	mm	In	mm		In	mm	In	mm	In	mm	In	mm
9P	.270	6.86	.160	4.06	.395	10.03	.145	3.68	.068	1.73	.140	3.56	#0-80 UNF	.323	8.20	.395	10.03	.150	3.81	.313	7.95
15P	.345	8.76	.235	5.97	.470	11.94	.145	3.68	.068	1.73	.215	5.46	#0-80 UNF	.323	8.20	.395	10.03	.150	3.81	.313	7.95
21P	.420	10.67	.310	7.87	.545	13.84	.145	3.68	.068	1.73	.290	7.37	#0-80 UNF	.323	8.20	.395	10.03	.150	3.81	.313	7.95
25P	.470	11.94	.360	9.14	.595	15.11	.145	3.68	.068	1.73	.340	8.64	#0-80 UNF	.323	8.20	.395	10.03	.150	3.81	.313	7.95
31P	.545	13.84	.435	11.05	.670	17.02	.145	3.68	.068	1.73	.415	10.54	#0-80 UNF	.323	8.20	.395	10.03	.150	3.81	.313	7.95
37P	.620	15.75	.510	12.95	.745	18.92	.145	3.68	.068	1.73	.490	12.45	#0-80 UNF	.323	8.20	.395	10.03	.150	3.81	.313	7.95
41P	.670	17.02	.560	14.22	.795	20.19	.145	3.68	.068	1.73	.540	13.72	#0-80 UNF	.323	8.20	.395	10.03	.150	3.81	.313	7.95
51P	.795	20.19	.685	17.40	.920	23.37	.145	3.68	.068	1.73	.665	16.89	#0-80 UNF	.323	8.20	.395	10.03	.150	3.81	.313	7.95
65P	.970	24.64	.860	21.84	1.095	27.81	.145	3.68	.068	1.73	.840	21.34	#0-80 UNF	.323	8.20	.395	10.03	.150	3.81	.313	7.95
69P	1.020	25.91	.910	23.11	1.145	29.08	.145	3.68	.068	1.73	.890	22.61	#0-80 UNF	.323	8.20	.395	10.03	.150	3.81	.313	7.95
85P	1.246	31.65	1.110	28.19	1.397	35.48	.170	4.32	.081	2.06	1.091	27.71	#2-56 UNC	.348	8.84	.421	10.69	.176	4.47	.318	8.08

Receptacle Dimensions																					
Layout	A BSC.		B BSC.		C		D		E		F		G	H		K		L		N	
	In	mm	In	mm	In	mm	In	mm	In	mm	In	mm		In	mm	In	mm	In	mm	In	mm
9S	.270	6.86	.163	4.14	.395	10.03	.145	3.68	.068	1.73	.140	3.56	#0-80 UNF	.323	8.20	.408	10.36	.150	3.81	.328	8.33
15S	.345	8.76	.238	6.05	.470	11.94	.145	3.68	.068	1.73	.215	5.46	#0-80 UNF	.323	8.20	.408	10.36	.150	3.81	.328	8.33
21S	.420	10.67	.313	7.95	.545	13.84	.145	3.68	.068	1.73	.290	7.37	#0-80 UNF	.323	8.20	.408	10.36	.150	3.81	.328	8.33
25S	.470	11.94	.363	9.22	.595	15.11	.145	3.68	.068	1.73	.340	8.64	#0-80 UNF	.323	8.20	.408	10.36	.150	3.81	.328	8.33
31S	.545	13.84	.438	11.13	.670	17.02	.145	3.68	.068	1.73	.415	10.54	#0-80 UNF	.323	8.20	.408	10.36	.150	3.81	.328	8.33
37S	.620	15.75	.513	13.03	.745	18.92	.145	3.68	.068	1.73	.490	12.45	#0-80 UNF	.323	8.20	.408	10.36	.150	3.81	.328	8.33
41S	.670	17.02	.563	14.30	.795	20.19	.145	3.68	.068	1.73	.540	13.72	#0-80 UNF	.323	8.20	.408	10.36	.150	3.81	.328	8.33
51S	.795	20.19	.688	17.48	.920	23.37	.145	3.68	.068	1.73	.665	16.89	#0-80 UNF	.323	8.20	.408	10.36	.150	3.81	.328	8.33
65S	.970	24.64	.863	21.92	1.095	27.81	.145	3.68	.068	1.73	.840	21.34	#0-80 UNF	.323	8.20	.408	10.36	.150	3.81	.328	8.33
69S	1.020	25.91	.913	23.19	1.145	29.08	.145	3.68	.068	1.73	.890	22.61	#0-80 UNF	.323	8.20	.408	10.36	.150	3.81	.328	8.33
85S	1.246	31.65	1.113	28.27	1.397	35.48	.170	4.32	.081	2.06	1.091	27.71	#2-56 UNC	.348	8.84	.433	11.00	.176	4.47	.333	8.46

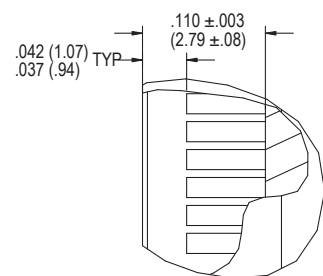
DETAIL A (PLUG)



DETAIL C (PLUG)



DETAIL D (RECEPTACLE)



DETAIL B (RECEPTACLE)

