

**M32139/09 and /10 Insulated Wire Connectors** feature gold alloy TwistPin contacts. Contacts are precision-cripped to insulated, stranded wire. These nanominiature connectors offer premium performance and reliability for demanding applications. Contact spacing is .025 inches. 1 amp current rating, DWV rating 250 volts AC. For replacement gasket see 899-015.

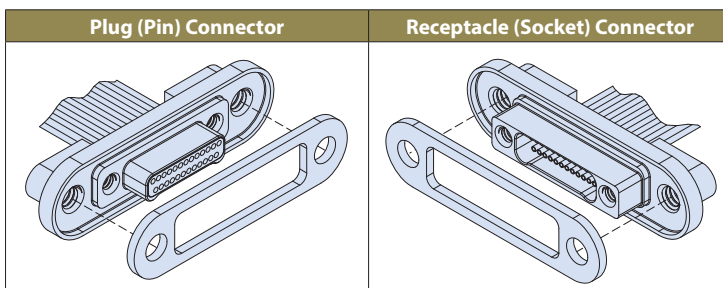
**TwistPin Contact System** assures premium performance in demanding environments. The gold alloy contacts will stand up to years of exposure without corrosion.

**Typical Applications** include UAV's, satellites, missile systems and geophysical instruments.

How To Order	
<b>Sample Part Number</b>	<b>M32139/09</b> -D 01 T S S 01 M
<b>Series</b>	<p><b>M32139/09</b> = Plug, Pin Contacts, Dual Row, Nanominiature</p> <p><b>M32139/10</b> = Receptacle, Socket Contacts, Dual Row, Nanominiature</p>
<b>Insert Arrangements</b>	<p><b>A</b> = 9 contacts    <b>B</b> = 15 contacts</p> <p><b>C</b> = 21 contacts   <b>D</b> = 25 contacts</p> <p><b>E</b> = 31 contacts   <b>F</b> = 37 contacts</p> <p><b>G</b> = 51 contacts   <b>H</b> = 65 contacts</p> <p><b>J</b> = 69 contacts   <b>K</b> = 85 contacts</p>
<b>Wire Type</b>	All wire types specify 30 AWG stranded wire. See M32139 Wire Type Table
<b>Hardware</b>	<b>T</b> = Threaded Hole
<b>Shell Material and Finish</b>	<b>S</b> = Stainless Steel, Passivated Finish <b>T</b> = Titanium (Unplated)
<b>Space Class</b>	<b>(Omit)</b> = for non-space applications <b>S</b> = Space Grade
<b>Gasket Material</b>	<p>Omit for no gasket</p> <p><b>01</b> = Fluorosilicone IAW MIL-DTL25988 Type II, Class I, Grade 70</p> <p><b>02</b> = Passivated, silver plated aluminum filled fluorosilicone IAW MIL-DTL-83528, Type "D" (CHO-SEAL 1298 or equivalent)</p> <p><b>03</b> = Nickel plated, aluminum filled fluorosilicone, (CHO-SEAL 6503 or equivalent)</p>
<b>Mounting Thread Option</b>	<b>Omit</b> for #2-56 UNC-2B <b>M</b> = M2x0.4 6H

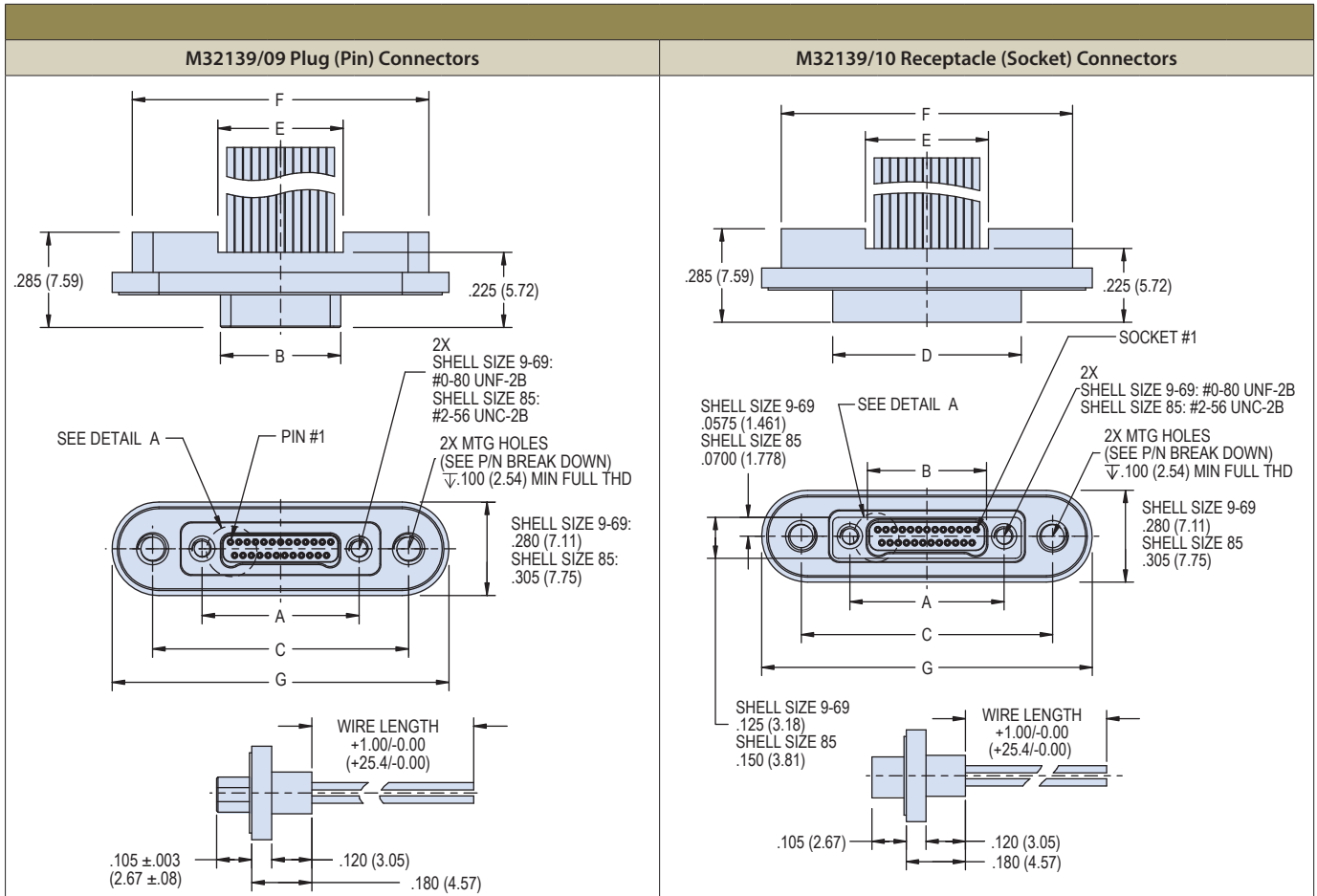
M32139 Wire Type			
Wire Type	Specification	Color	Length Inches (mm)
01	NEMA HP3-ETXBBB	White	6 (152)
02	NEMA HP3-ETXBBB	White	18 (457)
03	NEMA HP3-ETXBBB	White	36 (914)
04	NEMA HP3-ETXBBB	10 Color <sup>(2)</sup>	6 (152)
05	NEMA HP3-ETXBBB	10 Color <sup>(2)</sup>	18 (457)
06	NEMA HP3-ETXBBB	10 Color <sup>(2)</sup>	36 (914)
07	M22759/33-30	White	6 (152)
08	M22759/33-30	White	18 (457)
09	M22759/33-30	White	36 (914)
10	M22759/33-30	10 Color <sup>(2)</sup>	6 (152)
11	M22759/33-30	10 Color <sup>(2)</sup>	18 (457)
12	M22759/33-30	10 Color <sup>(2)</sup>	36 (914)
13	04047-30A <sup>(1)</sup>	White	6 (152)
14	04047-30A <sup>(1)</sup>	White	18 (457)
15	04047-30A <sup>(1)</sup>	White	36 (914)
16	04047-30A <sup>(1)</sup>	10 Color <sup>(2)</sup>	6 (152)
17	04047-30A <sup>(1)</sup>	10 Color <sup>(2)</sup>	18 (457)
18	04047-30A <sup>(1)</sup>	10 Color <sup>(2)</sup>	36 (914)

1. DSCC 04047 is special composite wire subject to additional cost and longer delivery times.  
2. Color coding per MIL-STF-681, System 1, except using ten solid colors in repeating sequence.



**NOTES**

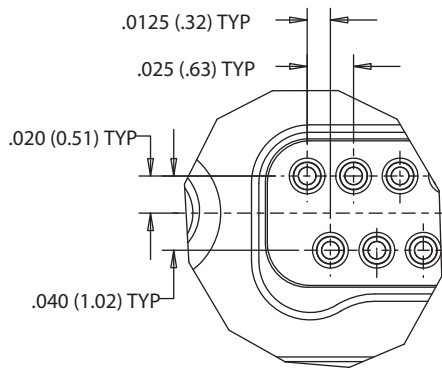
- Material and finish:
  - Shell: see part number breakdown
  - Insulator: LCP/N/A
  - Contacts: gold alloy/unplated
  - Wire: see M32139 wire type table
- Inspect and Test IAW MIL-DTL-32139
- Interface dimensions per MIL-DTL-32139/9 & MIL-DTL-32139/10
- Panel cutout is sized to allow connector mounting with lobes in either up or down orientation
- Recommended panel thickness .100 (2.5) max



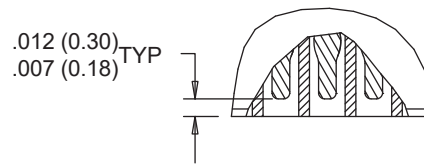
**Dimensions**

Layout	A BSC.		B BSC.		C BSC.		D		E		F		G	
	In	mm	In	mm	In	mm	In	mm	In	mm	In	mm	In	mm
9P	.270	6.86	.160	4.06	.566	14.38	--	--	.175	4.45	.688	17.48	.808	20.52
9S	.270	6.86	.163	4.14	.566	14.38	.375	9.53	.175	4.45	.688	17.48	.808	20.52
15P	.345	8.76	.235	5.97	.641	16.28	--	--	.250	6.35	.763	19.38	.883	22.43
15S	.345	8.76	.238	6.05	.641	16.28	.450	11.43	.250	6.35	.763	19.38	.883	22.43
21P	.420	10.67	.310	7.87	.716	18.19	--	--	.325	8.26	.838	21.29	.958	24.33
21S	.420	10.67	.313	7.95	.716	18.19	.525	13.34	.325	8.26	.838	21.29	.958	24.33
25P	.470	11.94	.360	9.14	.766	19.46	--	--	.375	9.53	.888	22.56	1.008	25.60
25S	.470	11.94	.363	9.22	.766	19.46	.575	14.61	.375	9.53	.888	22.56	1.008	25.60
31P	.545	13.84	.435	11.05	.841	21.36	--	--	.450	11.43	.963	24.46	1.083	27.51
31S	.545	13.84	.438	11.13	.841	21.36	.650	16.51	.450	11.43	.963	24.46	1.083	27.51
37P	.620	15.75	.510	12.95	.916	23.27	--	--	.525	13.34	1.038	26.37	1.158	29.41
37S	.620	15.75	.513	13.03	.916	23.27	.725	18.42	.525	13.34	1.038	26.37	1.158	29.41
51P	.795	20.19	.685	17.40	1.091	27.71	--	--	.700	17.78	1.213	30.81	1.333	33.86
51S	.795	20.19	.688	17.48	1.091	27.71	.900	22.86	.700	17.78	1.213	30.81	1.333	33.86
65P	.970	24.64	.860	21.84	1.266	32.16	--	--	.875	22.23	1.388	35.26	1.508	38.30
65S	.970	24.64	.863	21.92	1.266	32.16	1.075	27.31	.875	22.23	1.388	35.26	1.508	38.30
69P	1.020	25.91	.910	23.11	1.316	33.43	--	--	.925	23.50	1.438	36.53	1.558	39.57
69S	1.020	25.91	.913	23.19	1.316	33.43	1.125	28.58	.925	23.50	1.438	36.53	1.558	39.57
85P	1.246	31.65	1.110	28.19	1.568	39.83	--	--	1.125	28.58	1.690	42.93	1.810	45.97
85S	1.246	31.65	1.113	28.27	1.568	39.83	1.377	34.98	1.125	28.58	1.690	42.93	1.810	45.97

**DETAIL A**



**DETAIL B**



**M32139 PLUG AND RECEPTACLE PANEL CUTOUT**

Panel Cutout Dimensions			
Shell Size	C	M	N
SIZE-9	.566 (14.38)	.395 (10.03)	.155 (3.94)
SIZE-15	.641 (16.28)	.470 (11.94)	.155 (3.94)
SIZE-21	.716 (18.19)	.545 (13.84)	.155 (3.94)
SIZE-25	.766 (19.46)	.595 (15.11)	.155 (3.94)
SIZE-31	.841 (21.36)	.670 (17.02)	.155 (3.94)
SIZE-37	.916 (23.27)	.745 (18.92)	.155 (3.94)
SIZE-51	1.091 (27.71)	.920 (23.37)	.155 (3.94)
SIZE-65	1.266 (32.16)	1.095 (27.81)	.155 (3.94)
SIZE-69	1.316 (33.43)	1.145 (29.08)	.155 (3.94)
SIZE-85	1.568 (39.83)	1.397 (35.48)	.180 (4.57)

