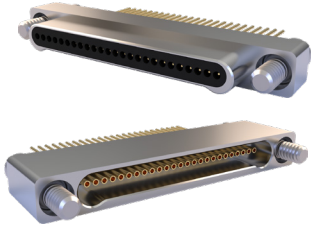


SERIES 89 NANOMINIATURE Single-Row Rectangular Connectors



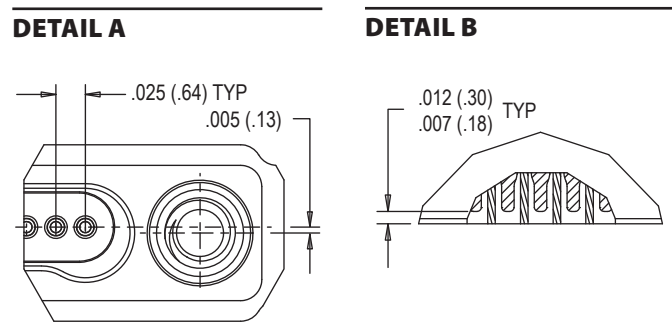
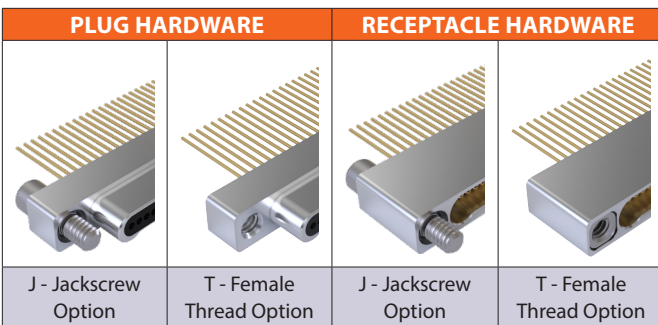
890-003 and 890-004 Plug and Receptacle Connectors with Uninsulated Wire

SINGLE-ROW RECTANGULAR CONNECTORS



Glenair Uninsulated Wire Nano Connectors feature gold alloy TwistPin contacts. Contacts are precision-cripped to solid wire. Nanominiature connectors offer premium performance and reliability for demanding applications. Contact spacing is .025 inches. 1 amp current rating, DWV rating 250 volts AC. Wire gages #30 and #32 AWG. TwistPin Contact System assures premium performance in demanding environments. The gold alloy contacts will stand up to years of exposure without corrosion. Typical Applications include UAV's, satellites, missile systems and geophysical instruments.

| HOW TO ORDER | | | | | | | |
|---|---|------|---|----|----|-------|---|
| Sample Part Number | 890-003 | -31P | A2 | -0 | D3 | -.250 | J |
| Series | 890-003 = Plug, Pin Contacts, Single Row Nanominiature 890-004 = Receptacle, Socket Contacts, Single Row Nanominiature | | | | | | |
| Insert Arrangement/ Contact Type | Plugs (890-003): 5P, 9P, 15P, 21P, 25P, 31P, 37P, 51P Receptacles (890-004): 5S, 9S, 15S, 21S, 25S, 31S, 37S, 51S | | | | | | |
| Shell Material and Finish | A1 = Aluminum Shell, Cadmium Plating A31 = Aluminum Shell, Zinc Nickel Plating, Black T = Titanium Shell, Unplated | | A2 = Aluminum Shell, Electroless Nickel Plating A33 = Aluminum Shell, Nickel PTFE Plating S = Stainless Steel Shell, Passivated | | | | |
| Wire Gage | 0 = #30 AWG 2 = #32 AWG | | | | | | |
| Wire Type | D3 = Single Strand Copper Wire, Uninsulated, with Gold Plating | | | | | | |
| Lead Length | .125, .250, .375, .500 | | | | | | |
| Hardware | J = Hex Head Jackscrew, #0-80 T = Female Thread, #0-80* *Stainless Steel Inserts installed in Aluminum Shells, tapped directly into Stainless Steel and Titanium Shells | | | | | | |



| PERFORMANCE SPECIFICATIONS | | |
|---|--|--|
| Contact Spacing: .025" (0.64) contact centers | Operating Temperature: -55° C. to +125° C. | Corrosion Resistance: 48 hours salt spray IAW EIA-364-26, Condition B |
| Wire Accommodation: #30-#32 AWG | Contact Resistance: 71 millivolt drop maximum, 1 AMP current, any catalog supported wire type | Humidity: 240 hours, IAW EIA-364-31, Test Condition B |
| Current Rating: 1 AMP maximum tested per EIA-364-70 | Vibration: 20 g's, IAW EIA-364-28, Condition IV | Contact Engaging/Separation Force: 5 ounce maximum, 0.4 ounce minimum |
| DWV: 250 VAC RMS sea level, 100 VAC RMS 70,000 feet per EIA-364 Procedure 20 | Shock: 100 g's, IAW EIA-364-27, Condition G | Thermal Vacuum Outgassing: Total mass loss (TML) 1.0% max., volatile condensable material (VCM) 0.1% max. IAW ASTM E595 |
| Insulation Resistance: 5000 Megohms minimum test voltage 100 VDC, per EIA-364 Procedure 21 | Durability: 200 mating cycles per test procedure EIA-364-09 | |

